

TD133F

# 13.3” PCAP Touch Panel PC



Model: TD133  
(Code Name: TD133F)



Guangzhou TouchWo Electronics Co., Ltd.

V1.0

# Content

1	Overview	1
1.1	Features	1
2	Parameters	2
2.1	Display	2
2.2	Touch screen	2
2.3	Power	2
2.4	Operation	2
2.5	Configuration	3
3	I/O	4
3.1	Touch Monitor	3
3.2	Android	3
3.2	Accessory	5
4	Dimension	5
4.1	Dimension	5
4.2	Drawing	5
5	Photo	6
5.1	Overview-Photos	错误! 未定义书签。
5.2	Details-Photos	6
5.3	Installation	7
6	Warning	8

## 1.1 Features

- 27mm only for the thickness, pure flat
- Full lamination process, better display effect, better sealing, IP65 waterproof for surface.
- Made in Aluminum alloy, Stylish design;
- 10-point capacitive touch, 5 ms fast response, accurate and stable.
- Each machine is tested via aging, high and low temperature, static electricity, vibration, high pressure, touch click, etc. to ensure more stable quality;
- Support customization: Color changing, adding serial ports, USB; logo Printing, adding camera, POE power supply, 4G LTE network)
- Easy installation: support wall mount / desktop / VESA bracket , Power-on , no need to debug.

# 2 Parameters

## 2.1 Display

Type	a-Si TFT-LCD WLED backlight; A Grade		
Size	13.3 Inch (16:9)		
Display area	294.3 (W) *165.8 (H) mm		
Resolution	1920*1080		
Brightness	≥250cd/m <sup>2</sup>	Contrast	≥ 1000: 1
Response time	25(Typ.)(Tr/Td) ms	Refresh rate	60Hz
Number of colors	16.7M < EDP 30 Pins >		
Visual Angle H/V (°)	85/85/85/85 (Typ.)(CR≥10)		
Lifetime	15000 hrs		

## 2.2 Touch Panel

Touch Technology	Projected Capacitive		
Response time	< 5ms		
Touch Point	10 points		
Effective identification spacing	> 1.5mm		
Scanning frequency	200Hz	Scanning accuracy	4096×4096
Interface	USB 2.0,3.0		
Firmware	USB supported	Driver	Free drive
Operating current/voltage	180Ma/DC+5V±5%		
Surface hardness	7H		

## 2.4 Power

Input power	110-240V AC 50/60Hz	Output power	DC 12V 3A
Monitor	< 20W	Speaker power	8Ω1W
Android spec	< 25W W	Standby power	< 0.5W

## 2.5 Operation

Operating	0°C-50°C
-----------	----------

Humidity Range (RH)	10% - 80%
Storage temperature	-5°C-60°C
Storage humidity	10% - 70%
Altitude	Below 5000m

## 2.6 Configuration

Available options	Touch Monitor	Android
CPU	External host required, refer to 3.1 for detailed parameters	RK3288/RK3568/RK3399/RK3368
RAM		2G/4G
ROM		8G - Default
		16/32G Optional
GPU		Android HD
Resolution		720P/1080P
OS		Android 7.1/9.0/11
Network	Integrated 10/100 / 1000M adaptive network card, wireless network card 802.11a / b / g / n	

# 3 I/O

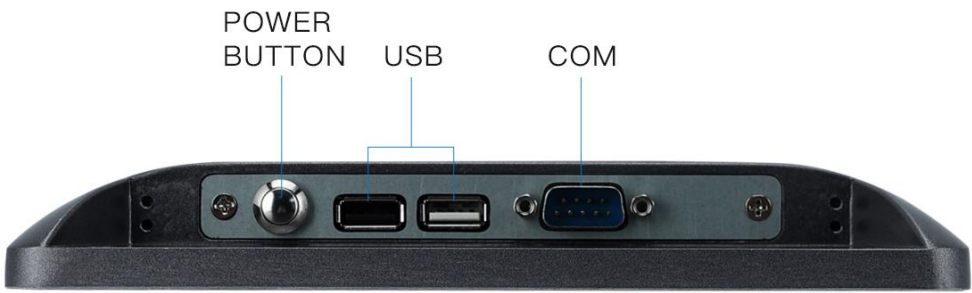
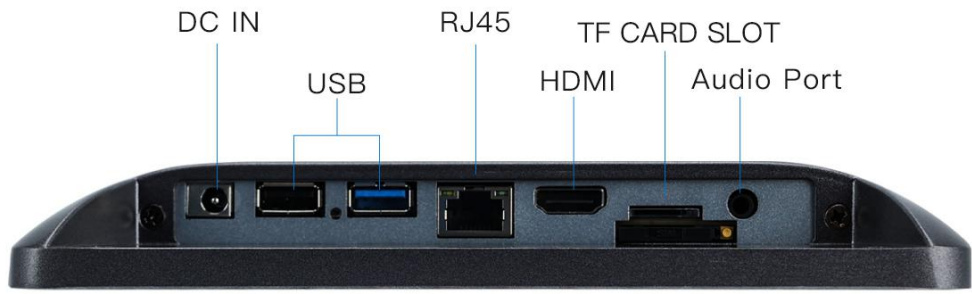
## 3.1 Touch Monitor

DC IN	2.1mm DC12V*1	Audio port	1
VGA input(15pin D-Sub)	1	HDMI input	1
USB- Touch control	1		

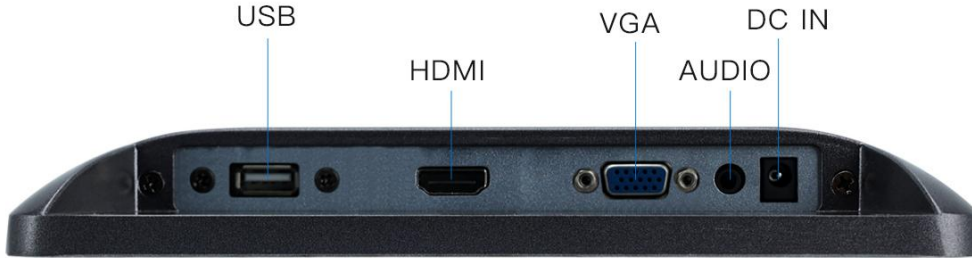
## 3.2 Android

DC IN	2.1mm DC12V*1	Audio port	1
RJ45	1	HDMI input	1
USB Input(OTG included)	4	Integrated WIFI	1
TF Slot	1	TTL/232/485	1

**ANDROID**



**MONITOR**



### 3.2 Accessory

Manual&Warranty Card	*1		
Power Adapter	*1	Wall mount Bracket/ Desktop Bracket	*1
HDMI/USB cable	1 pcs each (1.5 meters, match for touch monitor only)		

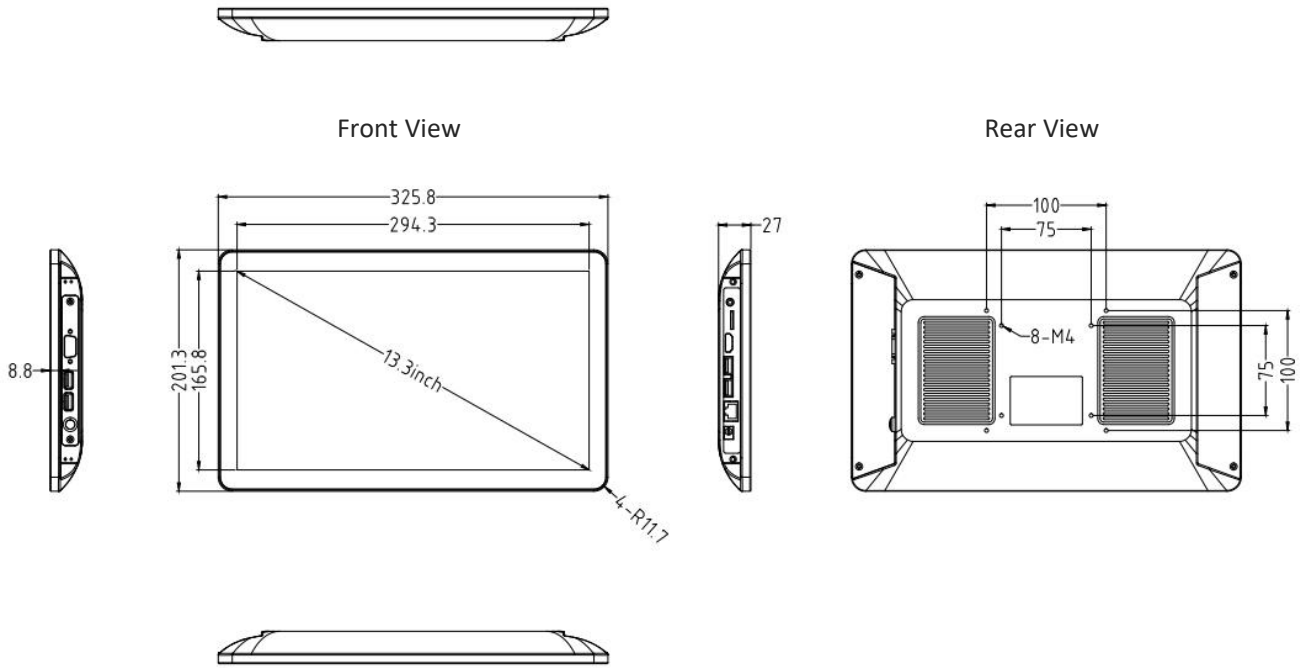


# 4 Dimension

### 4.1 Dimension

Screen	13.3"
Display size	294.3mm * 165.8 mm (16: 9)
Machine size (W * H *T)	325.8 (W) ×201.3 (H) ×27 (T) mm
Package size (W * H *T)	450 (W) ×283 (H) ×83 (T) mm
VESA hole	75×75 mm / 100×100 mm
Wall screw specifications	M4
Net weight	1.4 KG
G.W (packaging)	2.75 KG

### 4.2 Drawing



# 5 Photo

## 5.2 Overview-Photos





## 5.2 Details-Photos



## 5.4 Installation



# 6Warning

---

1. This product is a precision electronic device, the front is IP65, and the overall protection level is IPX3, so care should be taken to avoid water splashing and rain;
2. Do not place the equipment in a humid environment. Outdoor equipment needs to be equipped with a moisture-proof cover. When it rains and dew condensation, it needs to be protected to prevent water mist from entering the machine and the glass from becoming moldy. Wet use environment will accelerate the rapid aging of electronic components, thereby reducing the service life of this product and causing moisture damage to components;
3. Do not place the device in an environment with strong ultraviolet rays and direct sunlight for a long time. When the temperature is higher than 50°C, ultraviolet rays and high temperature irradiate the screen will accelerate the deflection of liquid crystal molecules, and the screen will accelerate aging. When the outdoor temperature is higher than 50°C, move it indoors or perform shading treatment;
4. The brightness of the product is not less than 250cd/m<sup>2</sup>. In the case of high ambient brightness, the screen display will not be clear. Please avoid placing it outdoors when the sun is strong;
5. When the temperature is lower than 0°C, the screen may not work properly due to the influence of the deflection of the liquid crystal molecules. It is not recommended to use it when the temperature is lower than 0°C;

The recommended ambient temperature for this product is 0-50°C and the humidity is 10%-80%.