



21.5 inch Wall Mounted Touch Kiosk

(Model: GD215C-A01)



Version V1.2

We apologize that if something changed without notice.



Content

1、Introduction	3
1.1 Brief introduce	3
1.2 Functional Features	3
2、 Technical Parameters	4
2.1 System	4
2.2 LCD Panel	2
2.3 Touch Panel	2
2.4 Electrical Properties	4
2.5 Working Environment	5
2.6 CPU	5
2.7 Receipt Printer	6
2.8 QR Scanner	6
2.9 Camera	7
2.10 LTE Module	7
2.12 RFID Card Reader	8
2.12 GPS	8
3、 Interfaces & Accessories	9
3.1 Interface for Touch Android PC	9
3.2 Interface for Touch Windows PC	9
3.3 Accessories	9
4、 Mechanical Parameters	10
4.1 Mechanical Drawing	10
5、 Product Pictures	11
5.1 Overall Pictures	12
5.2 Details	13
5.3 Color	13
5.4 Installations	14
6、 Applications	15



1、 Introduction

MFP is one of the systems for today's campus culture construction and digital construction. It is an intelligent device with high-definition visualization and interactive functions installed at the entrance of each classroom in schools to display attendance, lectures, courses, moral education, class honors, campus TV, exam information, campus notices, class style, etc. of each class, providing students and teachers with a novel platform for teacher-student communication and campus services. In addition, our MFPs can provide a variety of customized services, with the flexibility to add multiple serial ports, U-ports, etc. They are now also well recognized by major retail and catering industries.

1.1、 Functional Features

1. 10 points capacitive touch technology, HD resolution, viewing angle 178° /178°
2. System : Android/ Windows options
3. Professional: code sweeping, fast identification, support all kinds of commodity bar codes, payment codes, fast identification,
4. Accuracy :Millimeter-level 3D face recognition, face recognition rate up to 99.9%,
5. Flexible :Adopt front paper bin humanized design, unlock and change paper efficiently and conveniently, 58mm /80mm precision printer core, automatic cutter design, high speed printing without paper jam
6. Stable : Each machine has undergone multiple inspections such as machine aging, temperature and humidity testing, electrostatic testing, vibration, high voltage, touch and click, and display to ensure stable quality.;



7. Mechanical : Aluminum alloy structure, wear-resistant anti-corrosion burnishing process, overall storm-proof design, good sealing, surface IP65 waterproof.
8. Safety : use the dedicated industrial-grade leakage protection switch power supply : more secure in public places.
9. Customization: Flexible to do the customization.(such as colors, logo, camera,LTE module, card reader, fingerprint module etc)
10. Installation: wall mount /floor stand

2、 Technical Parameters

Touch	PCAP 10 points touch,
Display	PC HDMI 1080P
Video decoding	1080p HD ,MPEG、 H.264 etc
Design	alloy aluminum frame,metal sheet design
System Integration	Display ,touch, PC, button switch
2.2、 LCD Panel	
Screen Type	A-Si,TFT-LCD, back-light,WLED A
Size	21.5inch (16:9)
Display area	477.6 (W) *269.1 (H) mm
Resolution	1920*1080
Brightness	≥350 nits or 500nits
Contrast ratio	≥ 1000: 1
Response time	13/5(Typ.)(Tr/Td)
Number of colors	16.7M ,NTSC 72% LVDS 30 Pins
Refresh rate	60Hz
Viewing angle	89/89/89/89 (Typ.) CR≥10) left/right/up/down
Life time	30000 hours
2.3、 Touch Panel	
Touch technology	PCAP
Response time	<5ms
Touch points	10 points standard, zoom in/ zoom out options
Touch effective recognition	>1.5mm



Scanning Frequency	200Hz	Scanning accuracy	4096×4096
Communications	USB 2.0,3.0	Theoretical Clicks	50 Millions
Firmware	Upgraded by USB	Driver	NA
Working Current/Voltage	180Ma/DC+5V±5%		
Surface Hardness	Chemically tempered, Mohs class 7 explosion-proof glass		
OS	Win 7/ Win 8/Win 10/CE/Mac/Android/Linux /XP		
2.4、 Power supply parameters			
Input Power	100—240V AC 50/60Hz		
Output power	DC 12V 5A		
Consumption for Touch Android	< 48W		
Consumption for Touch Windows	< 60W		
Standby power consumption	< 0.5W	Speaker	8Ω3w
2.5、 Working environment			
Operating temperature	0°C-50°C		
Working humidity	10% - 80%		
Storage temperature	-5°C-60°C		
Storage humidity	10% - 70%		
Altitude	Under 5000 meters		

2.6、 CPU

Project	Android	X86 Standard Version	X86 Elite Version	Custom Design
Chip	Quad-core RK3288 Quad-core RK3568 Heta-core RK3399	N5095/J3710/J4125 /J1900	I3/I5/I7	YES
Ram	2gb/4gb	2gb/4gb/8gb/16gb		
Hard Disk	8gb/16gb/32gb options	SSD : 32gb/64gb/128gb/256gb/512gb HDD : 500G/1T		
Graphics	Android HD	Core Graphics		
Definition	720P/1080P			
Operating System	Android 7.1/9.0 for rk3288/rk3399 Android 11 for rk3568	Win 7/ Win 8/Win 10/Win11/ Linux		
NIC	Integrated 10/100 / 1000M adaptive network card, wireless network card 802.11a / b / g / n			



2.7、 Receipt Printer (optional)

Item	Standard Version	Elite Version	Flagship Version
Model	HS-QR24	HS-EC58	HS-EC80
Parameters	<p>Interface: USB</p> <p>Speed: 50-80mm/s</p> <p>Printing width: 48mm</p> <p>Voltage: DC12V</p> <p>Paper size: 58mm, max roll paper diameter: 30mm</p> <p>Manual tear-off, small paper roll capacity. Printer with Small size</p>	<p>Interface: USB</p> <p>Method: thermal printer on the line</p> <p>Speed: 50MM/S</p> <p>Density: 384point/line</p> <p>Printing width: 48MM</p> <p>Command : ESC/POS</p> <p>Paper size: 58mm, max. Roll paper diameter : 50mm</p> <p>Input voltage: DC 12V</p> <p>Automatic paper cutting , printer at bigger size</p>	<p>Interface: USB</p> <p>Method: thermal printer on the line</p> <p>Speed: 130MM/S</p> <p>Density: 384pont/line</p> <p>Printing width: 72MM</p> <p>Resolution: 203DPI</p> <p>Input voltage: DC 12V</p> <p>Paper size: 80mm, max. Roll paper diameter : 50mm.</p> <p>Automatic paper cutting,bigger paper roll capacity. printer at bigger size</p>

2.8、 QR Scanner (optional)

Item	Standard	Flagship
Model	EMT-8020	ZD7100
Parameters	<p>Interface: USB</p> <p>Resolution: 640*480 COMS</p> <p>Accuracy:5 MIL</p> <p>Light source:White LED</p> <p>Viewing angle: horizontal $\geq 68^\circ$ vertical $\geq 51^\circ$</p> <p>Scanning distance: 25MM-240MM (15mil QR)</p> <p>Rotate 360° deflection $\pm 50^\circ$ tilt 50°</p> <p>Long recognition distance and fast recognition speed</p>	<p>Interface : USB</p> <p>Light source: 6500K LED</p> <p>Number of sensor images: 752 X 480</p> <p>Rotate/deflection/tilt: $360^\circ / \pm 65^\circ / \pm 60^\circ$</p> <p>Accuracy: 5mil Ccde39</p> <p>2D cod: PDF417, MicroPDF417, Data Matrix, Maxicode, QR Code, MicroQR, AztecHanxin, etc</p> <p>High recognition accuracy, full code system, large angle</p> <p>Fast recognition speed</p>



2.9、 Camera (optional)

Item	Standard	Binocular camera
Model	SXT-C270	SXHDR-30DBL-V1.0
Parameters	Aperture 2.37 Interface USB2.0 Focal length 0.85mm Field of view 70° TV distortion <1% Sensitive area size 1/5-inch Microphone Optional Pixels HD 5 million Max.resolution: 1600*1200 Target distance 15CM-150CM Pixel dot size 1.4μm×1.4μm Image size 1616(H)×1232(V) [Pixels] Maximum image 15FPS UXGA 36MHZ/30FPS 720pMHZ Dimension 60mm×9mm×5.6mm	Hardware pixels 200W Image Sensor 1080P 1/2.7 Image dynamic image resolution and transmission rate 1080P/30fps 720P/30fps VGA/30fps QVGA/30fps Shooting image resolution:1920*1080 OR Other Debugging focal length 60cm Lens optical structure 4P Field of view(D) 65° Aperture Aberration F2.4 <= 1% Relative illumination 65% Brightness Auto Contrast Ratio Auto Color Tone Auto Saturation Auto Clarity Auto Gamma Auto White Level Crossing Auto Backlight Contrast Auto Exposure Control Auto Color space/compression YUY2/MJPG System compatible with Win 2 00 0, Win X P, Win 7 o r Linux2 .6 .20 or above

2.10、 LTE Module (optional)

Item	Standard	Flagship
Model	EC20CEHDLG-MINIPCIE-CB	ME909S-120



Parameter	<p>Interface: MINI-PCIE</p> <p>7-mode all-network pass: support mobile, Unicom, telecom</p> <p>8-Support system: LTE-TDD/LTE-FDD/TD-SCDMA/UMTS/EVDO/EDGE/GPRS/GSM/CDMA/GPS</p> <p>9-Under LTE-TDD/LTE-FDD, the upstream and downstream rates can reach 50Mbps and 150Mbps</p> <p>Support 3G: TD-SCDMA/UMTS/ CDMA/EVDO)</p> <p>Support 2G: EDGE/GPRS/GSM network</p> <p>Module function: only pure data function, i.e. only read the card to access the Internet, no GPS, no voice</p>	<p>Interface: MINI-PCIE</p> <p>5modes: support TD-LTE, LTE-FDD, TD-SCDMA, WCDMA, GSM five systems</p> <p>4G full network access: support mobile, Unicom, telecom</p> <p>Support Europe, Asia Pacific, Latin America and other overseas regions</p> <p>Includes data and voice functions</p>
-----------	---	---

2.11、RFID Card Reader (optional)

Item	TTL	RS232	USB
Model	M2-TTL	M2-232	M5-USB
Parameters	<p>Interface: TTL</p> <p>Operating frequency band: 13.56M high frequency module</p> <p>Support protocol: ISO14443A</p> <p>Support card: IC card: Mifare (1k/4k), NXP S50,NXP S70, Fudan Micro F08, Ultra-high</p> <p>Product function: Read-only IC card function for Android TTL interface</p>	<p>Interface: RS232</p> <p>Operating frequency band: 13.56M high frequency module</p> <p>Support protocol: ISO14443A</p> <p>Support card: IC card: Mifare (1k/4k), NXP S50,NXP S70, Fudan Micro F08, Ultra-high</p> <p>Product features: read-only IC card function, computer and Android 232 serial port</p>	<p>Interface: USB</p> <p>Operating frequency band: 13.56M module</p> <p>Support protocol: ISO14443TYPEA</p> <p>Support card: IC card MIFAER series</p> <p>Product features: Read-only IC card function, computer and Android USB interface</p>

2.12、GPS Module (optional)

Item	Standard
Model	DL-4538-2M4P5V-GCG
Parameters	<p>Interface: TTL</p> <p>GPS&QZSSL1 1575.42MHzC/A,B1 1561.098MHz for Android only</p>



3、 Interfaces & Accessories

3.1 Interfaces for Android Touch PC

DC In	2.1mm	Headphone	1
RJ45	1	HDMI	1
USB (with OTG)	2	WIFI	1
TF card	1	TTL/232/485 options	

3.2 Interfaces for Windows Touch PC

DC In	2.5mm DC12V*1	RJ45	1
VGA Output(15 pins D-Sub)	1	HDMI	1
USB	4	Headphone /MIC	1/1
WIFI	1	232/485 options	

3.3 Accessories

Instructions	*1
AC Power line	*1
Power Adapter	*1
Wall mount bracket	*1
Warranty Card	*1
Certificate	*1
Cable	HDMI *1; USB*1 (touch monitor only)
Keys	*2



Instruction

certificates
warranty

Power cable



Wifi



HDMI



USB

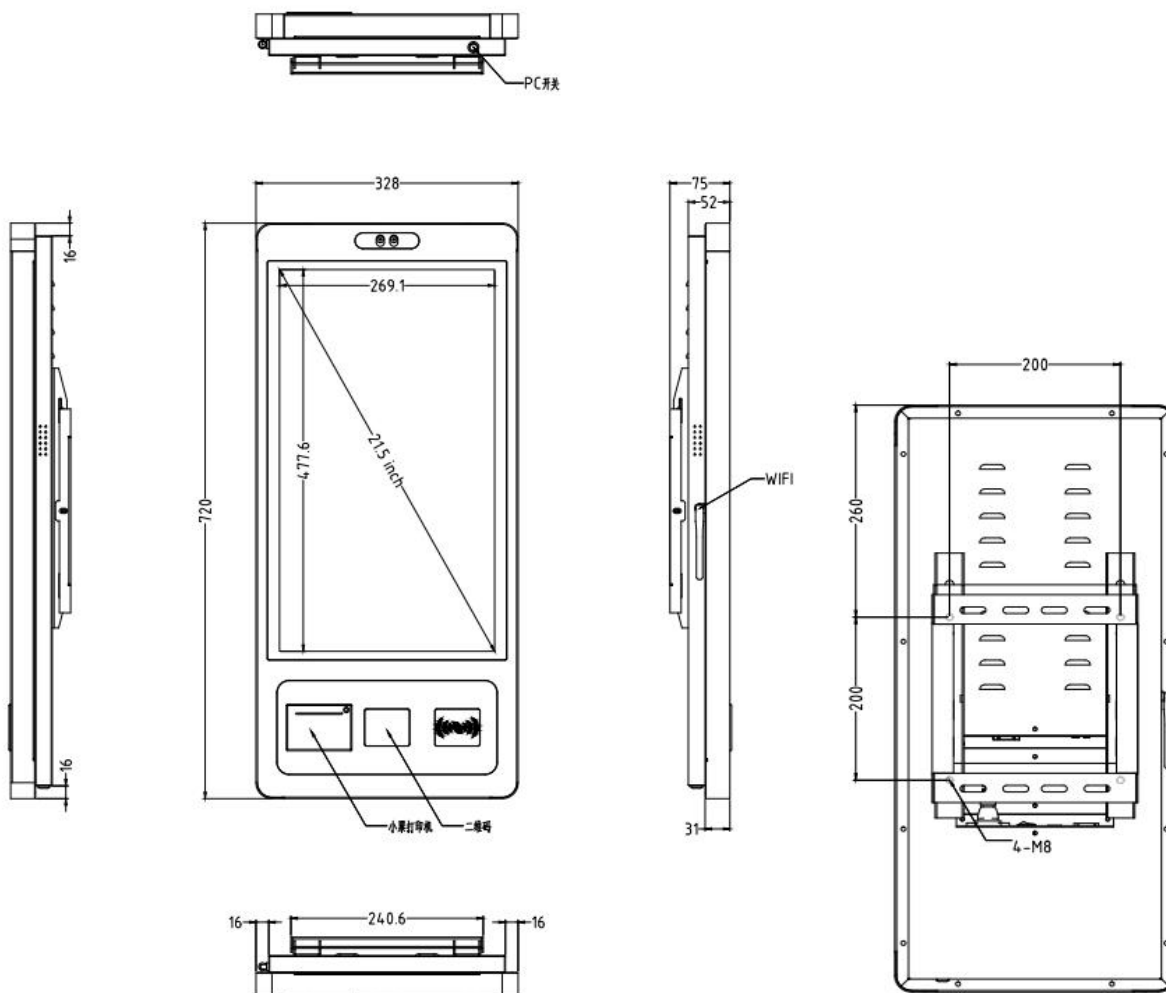


Wall Mounted



4、 Mechanical Parameters

Size	21.5inch
Display size	477.6 * 269.1mm (16:9)
Machine size (W * H *T)	328 (W) ×720 (H) × 52 (T) mm
Package size (W * H *T)	480 (W) ×870 (H) × 220 (T) mm
Mounting bracket	Wall mounted
VESA hole	200×200 mm
Wall screw specifications	M8
Net weight	11.6kg
G.W (packaging)	16kg





5、 Product Pictures

5.1 Overall Pictures





5.2 Color



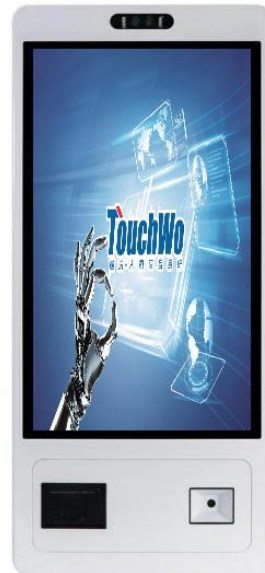
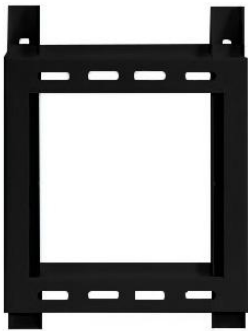
5.3 Details



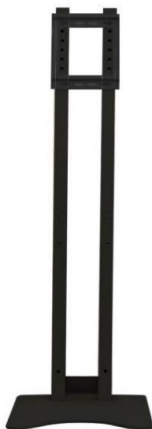


5.4 Installations

Wall mounted



Floor stand





6、 Applications

