

10.1" Touchscreen Monitor |

DM101B

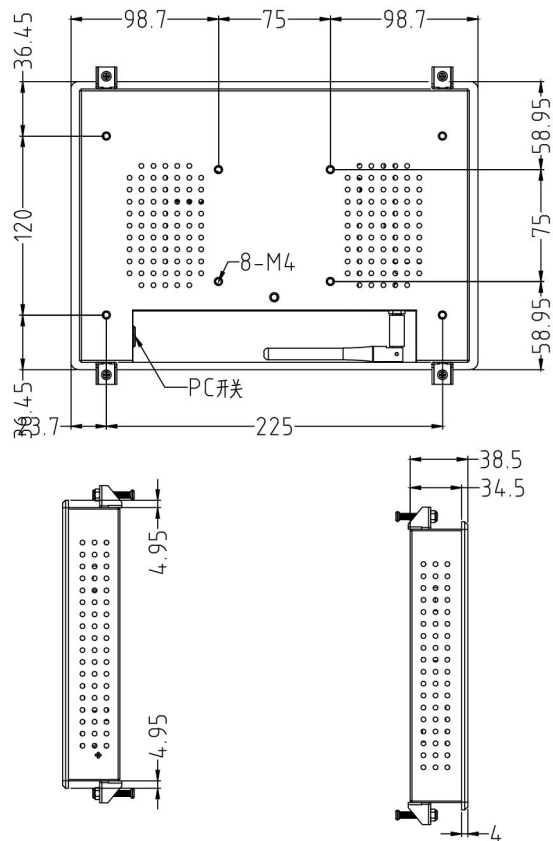
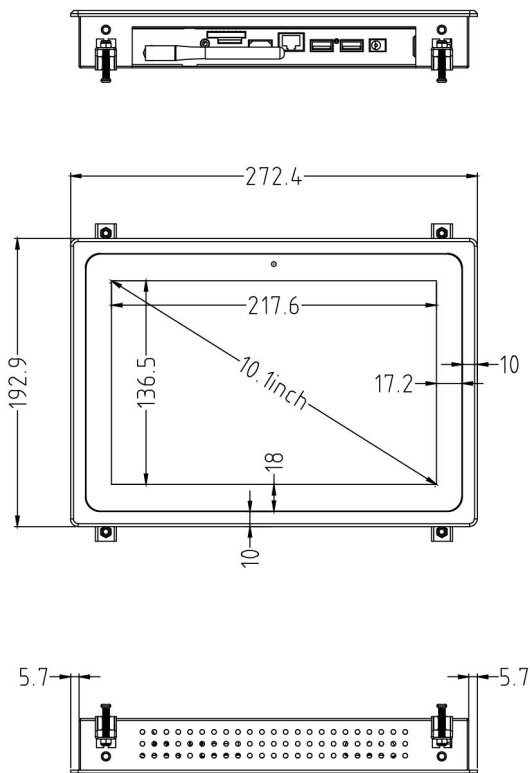


Robust Built

3mm Tempered Glass + 6mm Aluminum Frame

Sheet metal Chassis

corrosion and oxidation resistance



LCD Panel

IP Rating	IP65 Front
Screen diagonal	10.1inch
Display active screen size	217.6*136.5 mm
Aspect ratio	16:10
Physical resolution	1280*800
Colours displayed	16.7M <EDP 30 Pins>
Brightness (cd/m2)	≥250cd
Contrast	1000:1
Visual Angle H/V (°)	85/85/85/85 (Typ.)(CR≥10)
Backlight Lifetime (hours)	LED 15,000

Touch Panel

Touch Technology	Projected Capacitive 10-Point Multitouch
Touch Connector	USB
Surface Hardness	7h

External Connectors

12v DC IN	x1	HDMI IN	x1
USB	x1	Audio I/O	x1
VGA	x1		

Power

Power Supply	100-240V AC;
Working Power (V)	12
Power Consumption (W)	<20
Stand-By Consumption (W)	<1

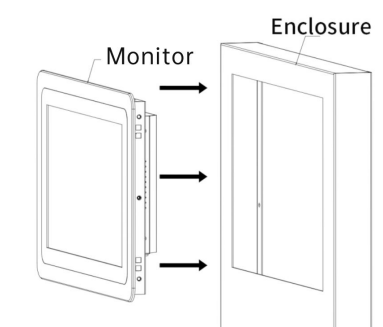
Operation

Operating Temperature (°C)	0°C-50°C
Humidity Range (RH)	0% - 90%
Net weight (kg)	1.77kg
Gross weight (kg)	2.88kg
Housing material	Sheet Metal
Housing (mm) L × W × H	272.4*192.9*38.5
Mounting	75*75

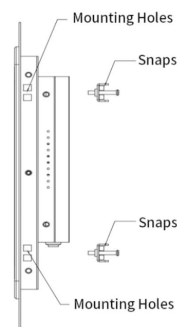
Included in the Delivery

Manual	x1	Power Supply	x1
Mounting Snaps	X4	USB CABLE+HDMI CABLE	X1

Installation



Step 1: Settle the Monitor outside to inside of the enclosure.



Step 2: Fix the snaps on the mounting holes of the Monitor, and tighten the snaps with screwdriver.

Product we also produce



7mm Touch PC
Frame Design

Embedded
Type



Open Frame



POS
Machine
15.6" -32"



Touch
Kiosk



Touch PC
with
RFID

