

10.4 Inch

Capacitive Touch Screens (Monitor)

(Model No. : DM104B)



- **Technical Specification**

Display&Touch

Electrical Performance

Working Environment

- **Interface & Accessory**

Interfaces Monitor

Accessory

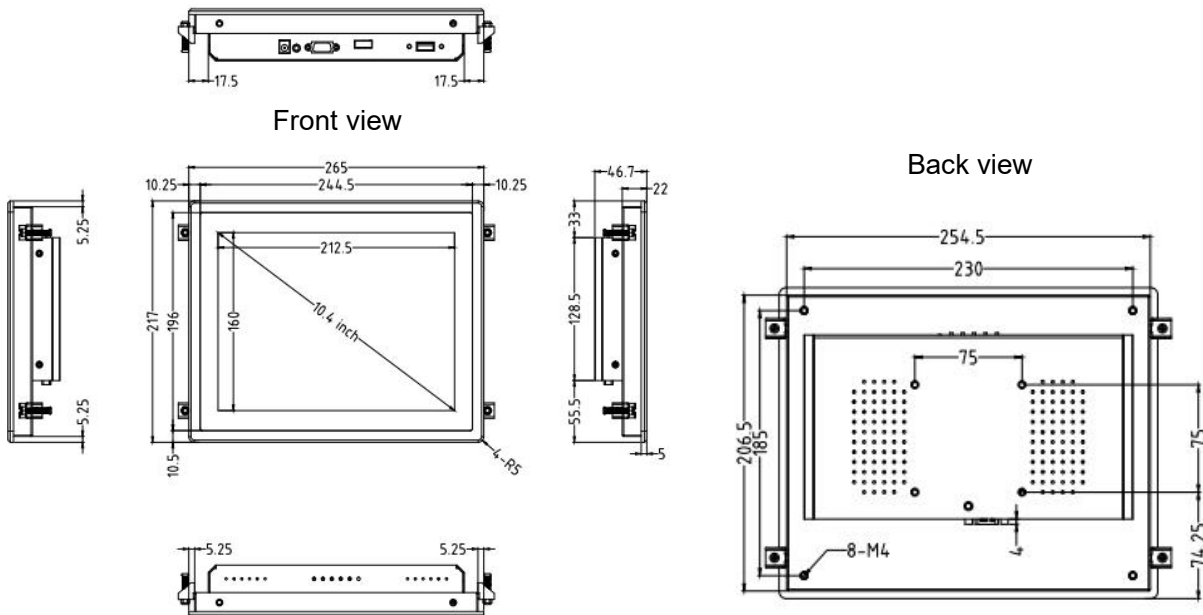
Installation

- **Warning**

Tech Spec

Display&Touch

Panel type	A-Si TFT-LCD, WLED backlight(A type)		
Size	10.4 inch (4:3)		
Display area	212.5 (W) * 160 (H) mm		
Package Dimension	40*28.3*10.6cm		
Resolution	1024*768		
Brightness	>250cd/m ²		
Touch Screen	PCAP 10 points touch		
Size and Weight	N.W	1.7 KG	G.W 2.2 KG



Electrical Performance

X86 consumption <20 W

Working Environment

Operating temperature 0°C-50°C
Operating humidity 10% - 80%
Storage temperature -5°C-60°C
Storage humidity 10% - 70%

Interfaces Accessory

Interface – Monitor

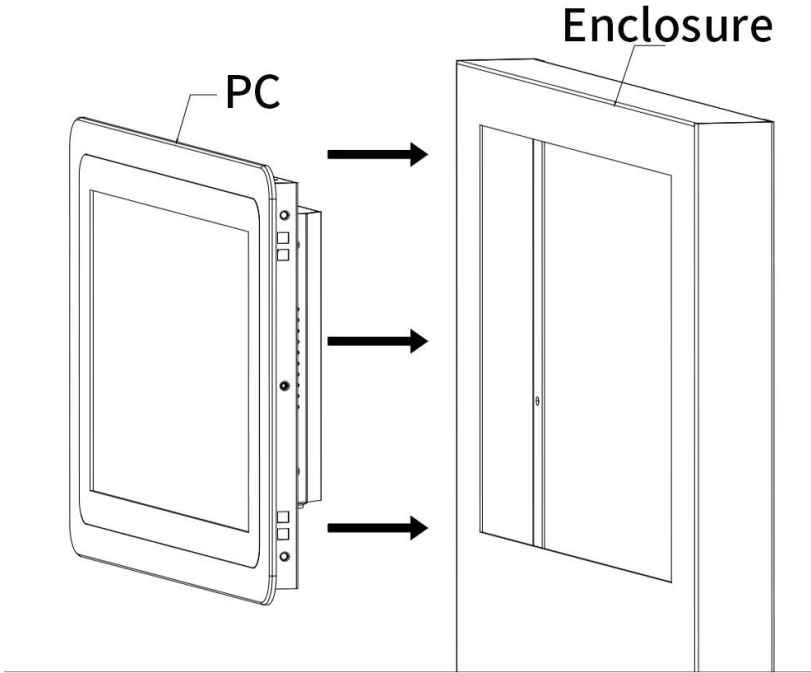
HDMI	Power port 2.1mm DC12V	USB 2.0	Audio I/O
*1	*1	*1	*1
VGA 15PIN d-sub			
*1			

Accessory

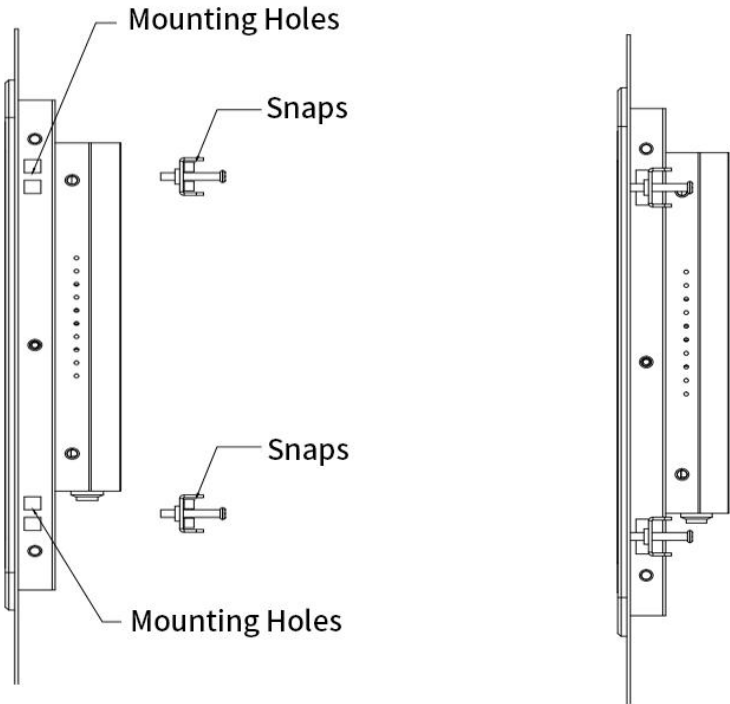
Manual&Warranty card - Power adapter & AC power cable - Settling bracket - HDMI CABLE -
USB CABLE



Installation



Step 2: Fix the snaps on the mouting holes of the PC, and tighten the snaps with screwdriver.



Details



Warning

This device belongs to precision electronic equipment, the front IP65, the overall protection level is IPX3, should pay attention to avoid water splashing rain.

Do not place the device in a damp environment. Outdoor equipment needs to be equipped with a moisture-proof cover. When it rains or dews, it needs to be protected to prevent the water from entering the machine and the mold. The wet environment will accelerate the rapid aging of electronic components, thereby reducing the service life of the product and causing damage to parts.

Do not leave the device exposed to strong UV light and direct sunlight for a long time. When the temperature is higher than 50 °C, the ultraviolet and high temperature illumination screen will accelerate the deflection of the liquid crystal molecules, and the screen will accelerate the aging. When the outdoor temperature is higher than 50 °C, it will be moved indoors or shaded.

The brightness of the product is not less than 250cd/m². When the ambient brightness is high, the screen display will be unclear. Please avoid placing it outdoors when the sunlight is strong.

When the temperature is below 0 °C, the screen may not work properly due to the deflection of the liquid crystal molecules. It is not recommended to use below 0 °C.

The recommended ambient temperature for this product is 0-50 °C and humidity is 0%-65%.