

15.6" Touchscreen for Android | DM156B

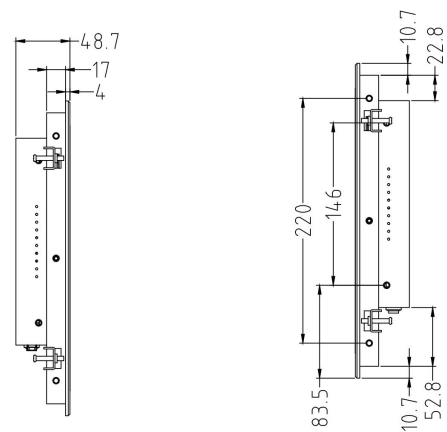
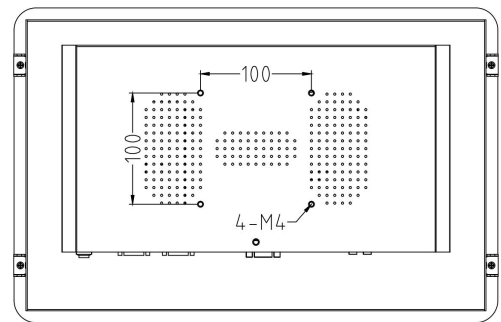
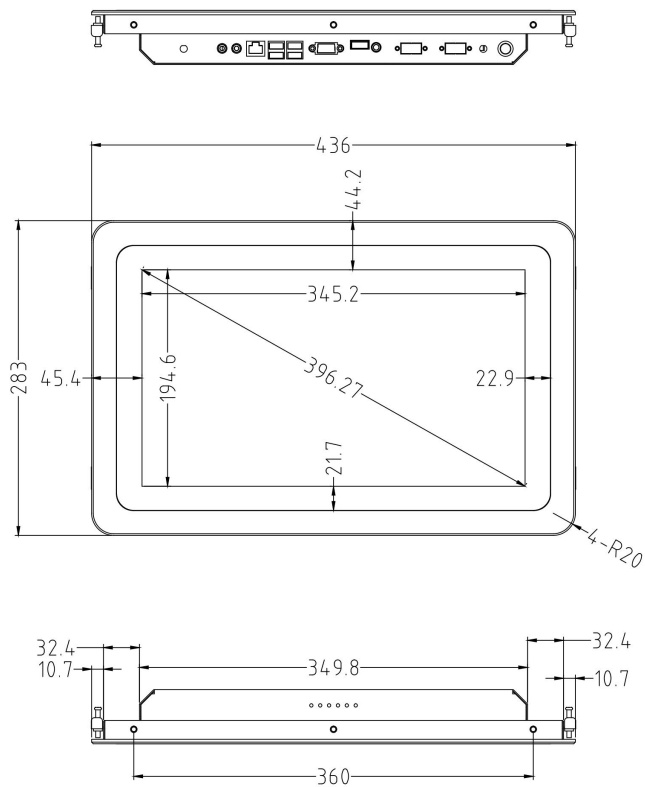


Multiple I/O

HDMI/USB/LAN/COM

Robust Chassis

corrosion and oxidation resistance



PC System

CPU	Rockchip RK3568	Rockchip RK3288	Rockchip RK3399
Graphic GPU	ARM G52 2EE	Mali-T764	PowerVR G6110
Audio	-	-	-
Memory	2G (4G optional)	2G (4G optional)	2G (4G optional)
Storage	16G/32G eMMC	16G/32G eMMC	16G/32G eMMC
Network	10/100M RJ45, 802.11a/b/g/n Wifi	10/100M RJ45, 802.11a/b/g/n Wifi	10/100M RJ45, 802.11a/b/g/n Wifi
Pre-installed	Android 11	Android 9	Android 9

LCD Panel

IP Rating	IP65 Front
Screen diagonal	15.6inch
Display active screen size (mm)	345.2(W)*194.6(H)
Aspect ratio	16:9
Physical resolution	1920*1080
Colours displayed	16.7M
Brightness (cd/m2)	250
Contrast	1000:1
Visual Angle H/V (°)	175/175
Backlight Lifetime (hours)	LED 30,000

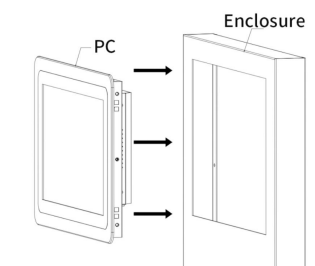
Power

Power Supply	100-240V AC;
Working Power (V)	12
Power Consumption (W)	<25
Stand-By Consumption (W)	<1

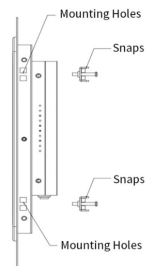
External Connectors

12v DC IN	x1	HDMI out	x1
OTG USB	x1	USB	X1
RJ45 Ports	x1	Tf card slot	x1
Headphone	x1	DB9 (TTL)	optional

Installation



Step 1: Settle the PC from outside to inside of the enclosure.



Step 2: Fix the snaps on the mouting holes of the PC ,and tighten the snaps with screwdriver.

Operation

Operating Temperature (°C)	0°C-50°C
Humidity Range (RH)	0% - 90%
Net weight (kg)	2.8kg
Gross weight (kg)	4.2kg
Housing material	Sheet Metal
Housing (mm) L × W × H	436*283*48.7
Mounting	100*100

Touch Panel

Touch Technology	Projected Capacitive
Touch Connector	USB
Surface Hardness	7

Included in the Delivery

Manual	x1	Power Supply	x1
Settling Snaps	X4	WIFI antenna	X1

Product we also produce



7mm Touch PC
Frame Design

Embedded
Type



Open Frame



POS
Machine
15.6" -32"



Touch
Kiosk



Touch PC
with
RFID

