

# 15.6" Touchscreen Monitor |

DM156B

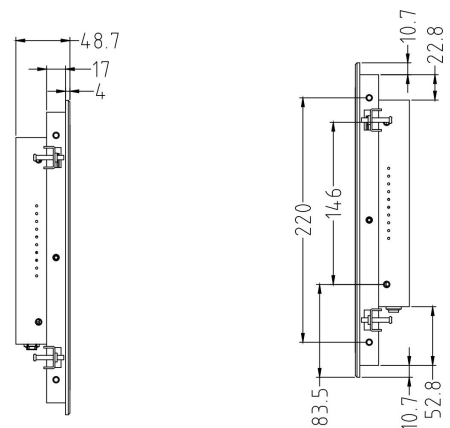
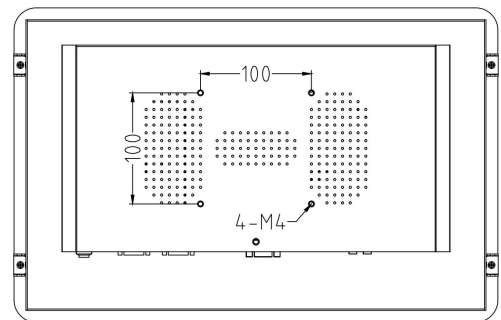
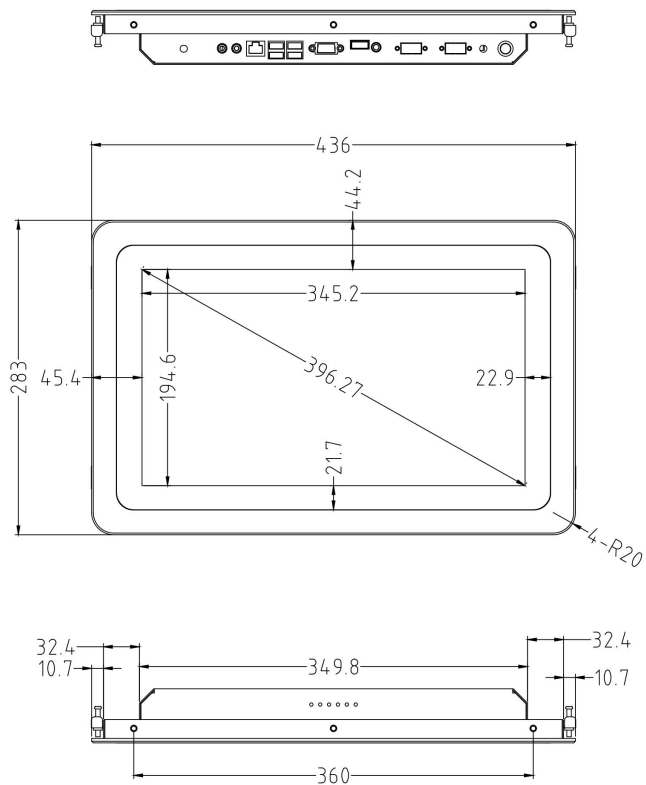


## Robust Built

3mm Tempered Glass + 6mm Aluminum Frame

## Sheet metal Chassis

corrosion and oxidation resistance



## LCD Panel

IP Rating	IP65 Front
Screen diagonal	15.6inch
Display active screen size	345.2(W)*194.6(H)
Aspect ratio	16:9
Physical resolution	1920*1080
Colours displayed	16.7M
Brightness (cd/m2)	250
Contrast	1000:1
Visual Angle H/V (°)	175/175
Backlight Lifetime (hours)	LED 15,000

## Touch Panel

Touch Technology	Projected Capacitive 10-Point Multitouch
Touch Connector	USB
Surface Hardness	7h

## External Connectors

12v DC IN	x1	HDMI IN	x1
USB	x1	Audio	x1
VGA	x1		

## Power

Power Supply	100-240V AC;
Working Power (V)	12
Power Consumption (W)	<20
Stand-By Consumption (W)	<1

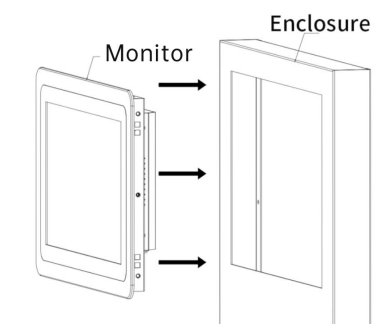
## Operation

Operating Temperature (°C)	0°C-50°C
Humidity Range (RH)	0% - 90%
Net weight (kg)	2.8kg
Gross weight (kg)	4.2kg
Housing material	Sheet Metal
Housing (mm) L × W × H	436*283*48.7
Mounting	100*100

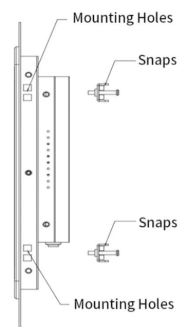
## Included in the Delivery

Manual	x1	Power Supply	x1
Mounting Snaps	X4	USB CABLE+HDMI CABLE	X1

## Installation



**Step 1: Settle the Monitor outside to inside of the enclosure.**



**Step 2: Fix the snaps on the mounting holes of the Monitor, and tighten the snaps with screwdriver.**

## Product we also produce



7mm Touch PC  
Frame Design

Embedded  
Type



Open Frame



POS  
Machine  
15.6" -32"



Touch  
Kiosk



Touch PC  
with  
RFID

