

15.6" Embedded Panel PC | DM156B

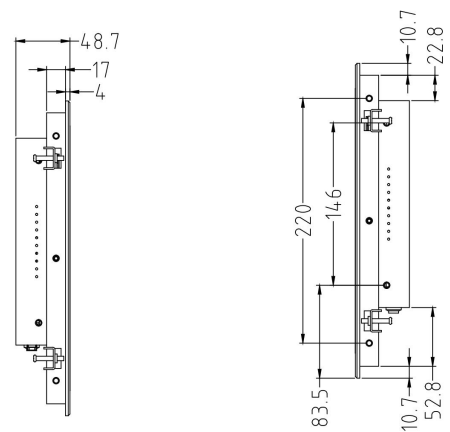
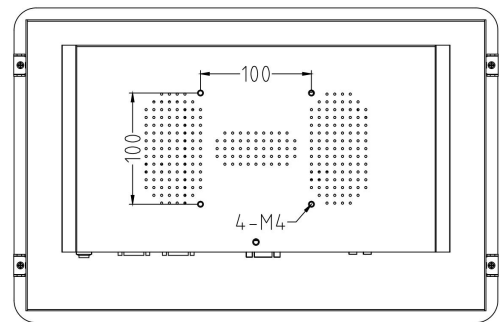
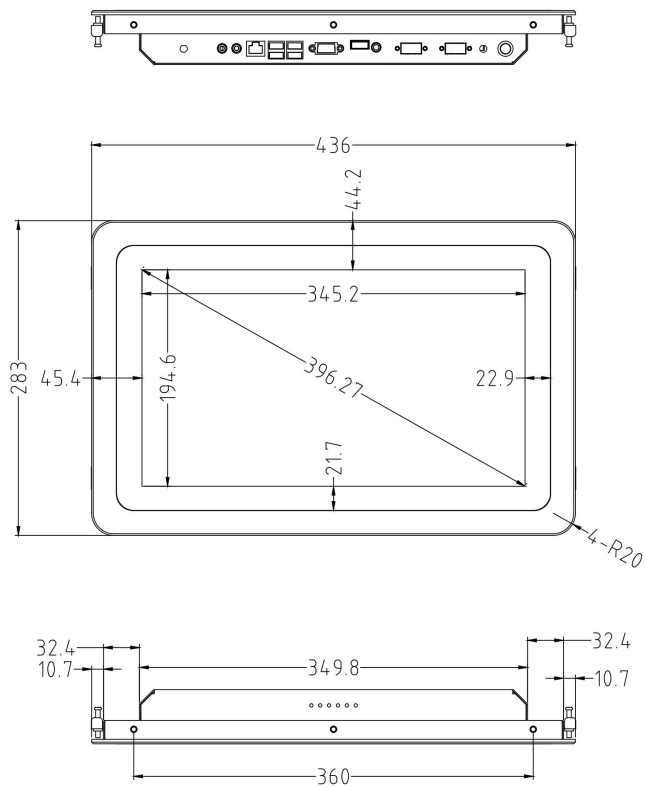


Versatile PC options

J1900 - i7 8gen

Robust Built

3mm Tempered Glass + 6mm Aluminum Frame



PC System

CPU	Intel® Celeron® Processor J4125	Intel core i3/i5/i7 optional
Graphic GPU	Intel® UHD Graphics	Intel® UHD Graphics
Audio	HD Audio	HD Audio
Memory	Netac-DDR4-2666MHz-SODIMM-8G	8G Optional
Storage	Foresee mSATA-128GB	32GB/64GB/256GB/512GB
Network	WIFI-NE238H-2.4G	Wifi 5G/BLE 5.1 optional
Pre-installed OS	Windows 10 Enterprise 2019 LTSC	Windows 10 Enterprise 2019 LTSC

LCD Panel

IP Rating	IP65 Front
Screen diagonal	15.6inch
Display active screen size (mm)	345.2(W)*194.6(H)
Aspect ratio	16:9
Physical resolution	1920*1080
Colours displayed	16.7M
Brightness (cd/m2)	250
Contrast	1000:1
Visual Angle H/V (°)	175/175
Backlight Lifetime (hours)	LED 30,000

Operation

Operating Temperature (°C)	0°C-50°C
Humidity Range (RH)	0% - 90%
Net weight (kg)	2.8kg
Gross weight (kg)	4.2kg
Housing material	Sheet Metal
Housing (mm) L × W × H	436*283*48.7
Mounting	100*100

Power

Power Supply	100-240V AC;
Working Power (V)	12
Power Consumption (W)	<48
Stand-By Consumption (W)	<1

Touch Panel

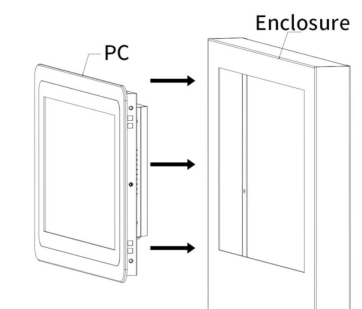
Touch Technology	Projected Capacitive
Touch Connector	USB
Surface Hardness	7

External Connectors

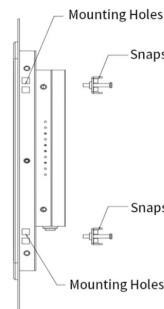
12v DC IN	x1	HDMI	x1
COM RS232	x1	USB 3.0	X1
RJ45 Ports	x1	F_Mic	x1
F_OUT	x1	USB 2.0	X3

Included in the Delivery

Manual	x1	Power Supply	x1
Mounting Snaps	X4	WIFI antenna	X1



Step 1: Settle the PC from outside to inside of the enclosure.



Step 2: Fix the snaps on the mounting holes of the PC, and tighten the snaps with screwdriver.

Product we also produce



7mm Touch PC Frame Design

Embedded Type



Open Frame



POS Machine
15.6" -32"



Touch Kiosk



Touch PC with RFID

