

19Inch

Capacitive Touch Screen Embedded All In One PC

(Model No. : DM19B)



www.touchwo.com

<https://touchwo.en.alibaba.com>

■ Technical Specification

Display&Touch

Electrical Performance

Working Environment

Configuration

■ Interface & Accessory

Interfaces X86 PC

Accessory

Installation

■ Warning

Tech Spec

Display&Touch

Panel type A-Si TFT-LCD, WLED backlight(A type)

Size 19inch (5:4)

Display area 374.784 (W) *299.827 (H) mm

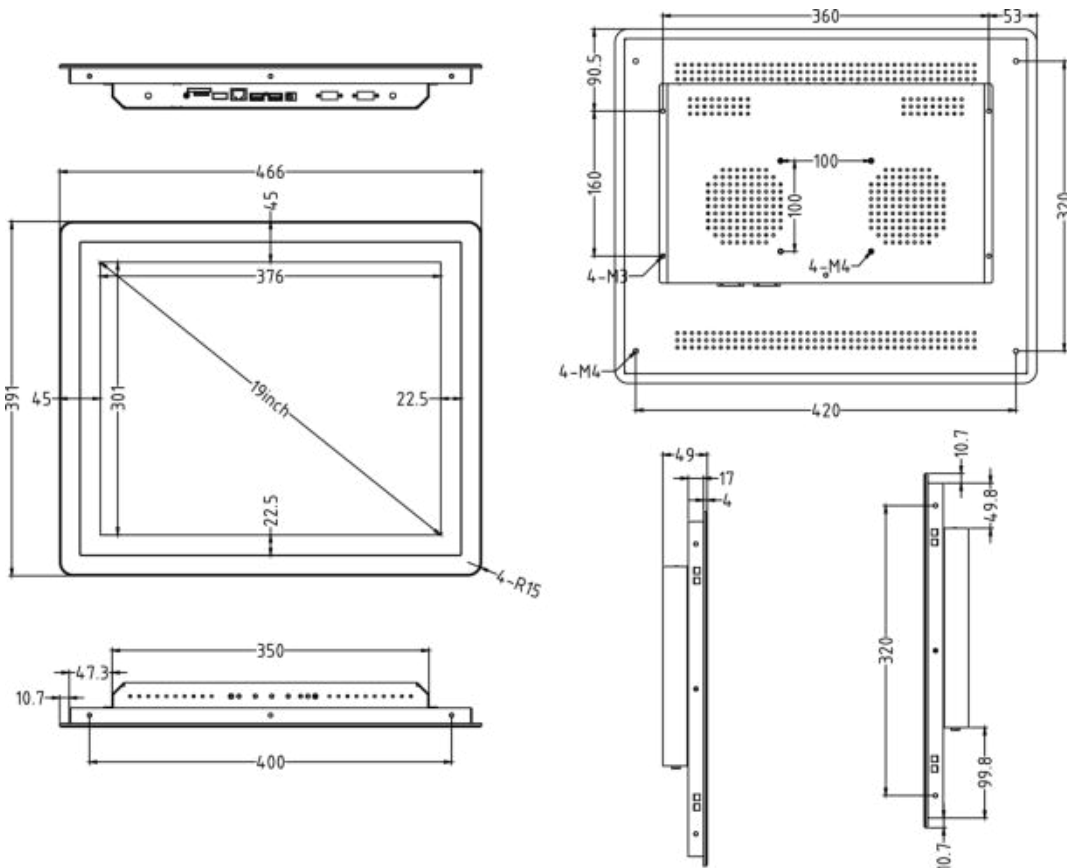
Package Dimension 49×46×16mm

Resolution 1280*1024P

Brightness >250cd/m²

Touch Screen PCAP 10point touch

Size and Weight N.W 6.6 KG G.W 8.4KG



Electrical Performance

X86 consumption <48 W

Working Environment

Operating temperature 0°C-50°C

Operating humidity 10% - 80%

Storage temperature 0°C-60°C

Storage humidity 0% - 65%

Configuration



Chip

Celeron N5095(with Fan; Cost Effective)

Celeron J4125(Fanless; High Performance)

Core i5/i7 8th Gen

RAM

4G/8G/16G

SSD

32G/64G/128G/256G/512G/1TB

GPU

Intel Graphic HD

OS



Windows 7/Windows 10/Linux

Speaker power

4Ω3w*2

Interfaces Accessory

Interface - X86 PC

HDMI	VGA	USB 3.0	Audio I/O
*1	*1	*2	*1
RJ45 LAN	USB 2.0	232/485	
*1	*2	Optional	

Accessory

Manual&Warranty card

Power adapter & AC power cable

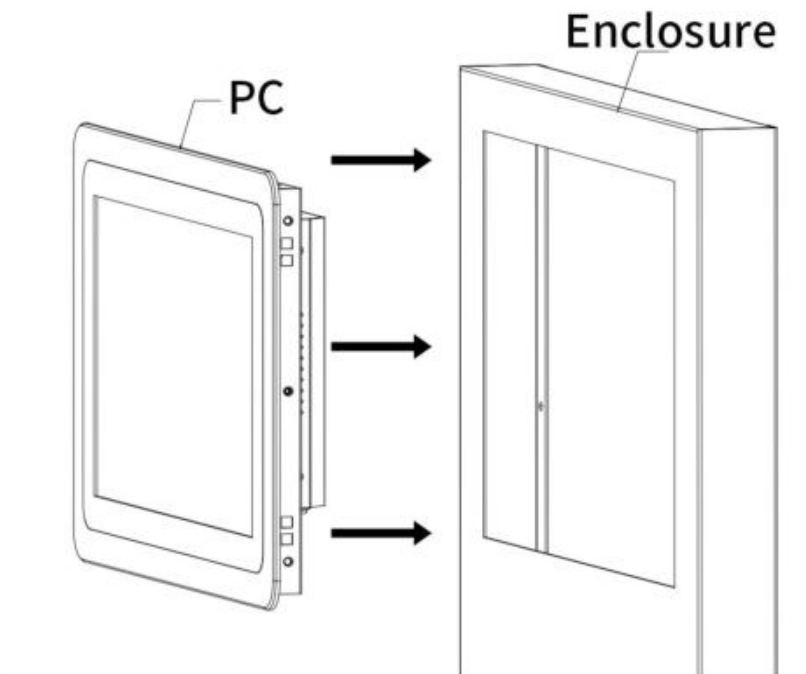
Settling snaps

WIFI antenna

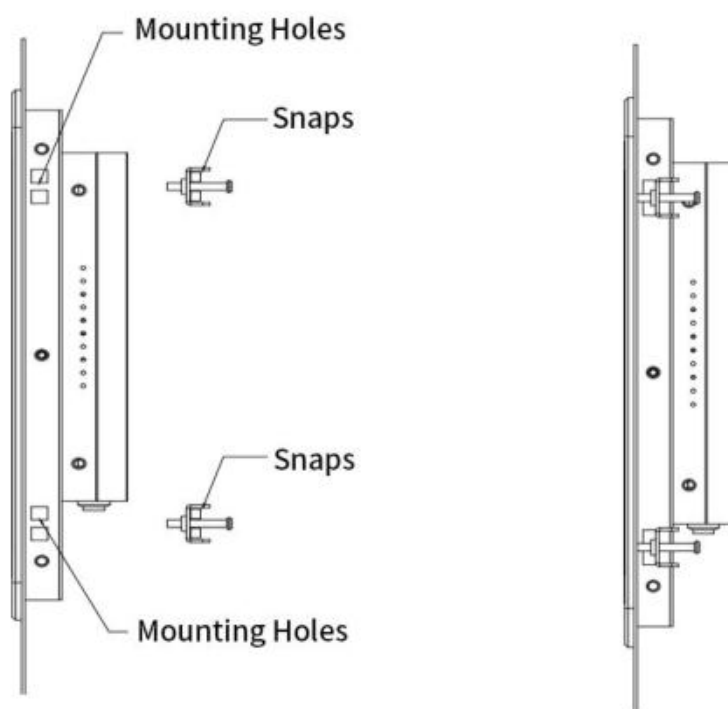


Installation

Step 1: Settle the PC from outside to inside of the enclosure.



Step 2: Fix the snaps on the mounting holes of the PC, and tighten the snaps with screwdriver.



Warning

This device belongs to precision electronic equipment, the front IP65, the overall protection level is IPX3, should pay attention to avoid water splashing rain.

Do not place the device in a damp environment. Outdoor equipment needs to be equipped with a moisture-proof cover. When it rains or dews, it needs to be protected to prevent the water from entering the machine and the mold. The wet environment will accelerate the rapid aging of electronic components, thereby reducing the service life of the product and causing damage to parts.

Do not leave the device exposed to strong UV light and direct sunlight for a long time. When the temperature is higher than 50 °C, the ultraviolet and high temperature illumination screen will accelerate the deflection of the liquid crystal molecules, and the screen will accelerate the aging. When the outdoor temperature is higher than 50 °C, it will be moved indoors or shaded.

The brightness of the product is not less than 250cd/m². When the ambient brightness is high, the screen display will be unclear. Please avoid placing it outdoors when the sunlight is strong.

When the temperature is below 0 °C, the screen may not work properly due to the deflection of the liquid crystal molecules. It is not recommended to use below 0 °C.

The recommended ambient temperature for this product is 0-50 °C and humidity is 0%-65%.