

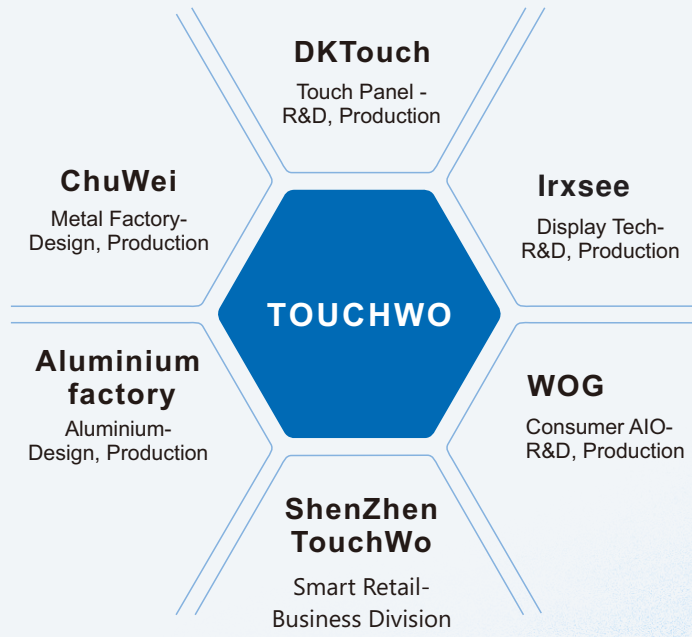


Touching Future Touching World

PRODUCT CATALOG



All-round touch solutions provider



TOUCHWO PROFILE

Development History

TouchWo head quarter located in Guangzhou with 10000m² area, set up branch in Shenzhen, Beijing, Shanghai etc. Having 4 independent departments: Industrial Design Department, Software Developing department, Hardware Design Department, and R&D Testing Department. TouchWo concentrates on providing smart touch products and overall solutions, equipped with advanced instruments, professional EMC laboratory, and owning plenty of independent intellectual property rights and portended technologies (such as CCC, CE, RoHS, FCC, ISO9001, ISO14001, OHSAS18001), Saving-energy etc. With annual capacity of 60,000 units, TouchWo is in the lead of the working field.

As a well known brand, TouchWo is widely recognized by customers around the world, by the strong self-innovation capability, popular design, professional service and absorption on customer's demand. Furthermore, Our products have been applied on solutions for the education system, trade show, Hospitality, IT & Systems Integration, Healthcare Environments, Experiential Design & Planning, industrial controlling, and military commands etc, has exported to more than 20 countries.



Preparation

2009
Preparation for product production and plant set-up

Start-up

2010
Operation of multi-touch IR touch screen in Shenzhen

Development

2011
Establishment of IR touch factory

Upgrading

2012
Established Beijing office

Leap forward

2013
Establishment of Shanghai branch

Transformation

2014
The birth of TouchWo brand, aspiring to build a big brand of capacitive all-in-one device

Climbing

2015
Set up Shenzhen TouchWo

Accelerate

2016
Opening of 10,000m automated factory

Run

2017
with a market share of 42%, smart classroom signage became a dark horse product

Accelerate

2018
Set up international trade department exceeding 10 million sales target

Recognise

2019
Complete ERM system deployment

Expansion

2020
Establishment of Woguan, Rlseez, deploys multi-brand strategy

Breakthrough

2021
More than 10,000 touchscreen products provided for customers worldwide in 2021

Focus

2022
R&D, Establishment of Backlight Integrated Business Division and Launch of New Generation Products

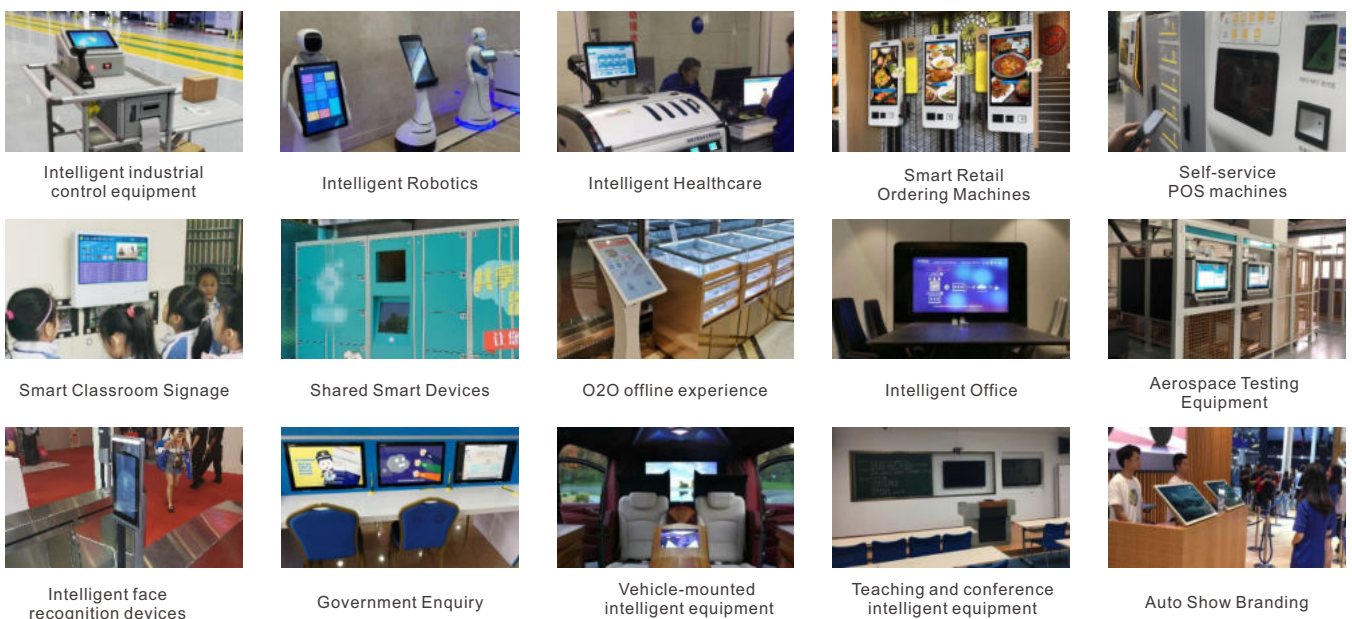
ODM & OEM

TouchWo owns professional R&D team and complete supply system, make your production and customization easier than ever. The factory has passed ISO9001 quality verification, From structural design, electronic testing, reliability testing, to quality management. Everything you need is here. Our own production system of capacitive screen, aluminum alloy and sheet metal makes the average delivery time only 3 days, and the qualified rate reaches 98.2%.



Applications

More than 20,000 partners all around the world, covering multiple fields such as IoT, POS, medical care, education and etc. These abundant and valuable cooperation experiences give TouchWo enough confidence to tailor a stable and reliable touch solution for you.



Certifications



High tech enterprise certificate



High-tech Enterprise Certificate



CEEIA



CE



RoHS



FCC



TOUCHWO trademark



Energy saving



IOS 9001



OHSAS 18001



IOS I4001



All-in-one high-tech



3C



Utility Model Patent



Class patent



Appearance patent



Software copyright



China Energy Efficiency Mark

Contents

Touch Panel Android

7" Touchscreen for Android	9
8" Touchscreen for Android - Standard	11
8" Touchscreen for Android - Unibody	13
10.1" Touchscreen for Android - Standard	15
10.1" Touchscreen for Android - Unibody	17
11.6" Touchscreen for Android	19
13.3" Touchscreen for Android - Standard	21
13.3" Touchscreen for Android - Unibody	23
14" Touchscreen for tAndroid	25
15.6" Touchscreen for Android - Standard	27
15.6" Touchscreen for Android - Unibody	29
17.3" Touchscreen for Android	31
18.5" Touchscreen for Android	33
21.5" Touchscreen for Android - Standard	35
21.5" Touchscreen for Android - Unibody	37
23.8" Touchscreen for Android	39
27" Touchscreen for Android	41
32" Touchscreen for Android	43
43" Touchscreen for Android	45

Touch PC

8" Touchscreen PC	49
10.1" Touchscreen PC	51
11.6" Touchscreen PC	53
13.3" Touchscreen PC	55
14" Touchscreen PC	57
15.6" Touchscreen PC	59
17.3" Touchscreen PC	61
18.5" Touchscreen PC	63
21.5" Touchscreen PC	65
23.8" Touchscreen PC	67
27" Touchscreen PC	69
32" Touchscreen PC	71
43" Touchscreen PC	73

Touch Monitor

7" Touchscreen for Monitor	77
8" Touchscreen for Monitor - Standard	79
8" Touchscreen for Monitor - Unibody	81
10.1" Touchscreen for Monitor	83
11.6" Touchscreen for Monitor	85
13.3" Touchscreen for Monitor - Standard	87
13.3" Touchscreen for Monitor - Unibody	89
14" Touchscreen for Monitor	91
15.6" Touchscreen for Monitor - Standard	93
15.6" Touchscreen for Monitor - Unibody	95
17.3" Touchscreen for Monitor	97
18.5" Touchscreen for Monitor	99
21.5" Touchscreen for Monitor - Standard	101
21.5" Touchscreen for Monitor - Unibody	103
23.8" Touchscreen for Monitor	105
27" Touchscreen for Monitor	107
32" Touchscreen for Monitor	109
43" Touchscreen for Monitor	111

Embedded Panel PC

10.1" Embedded Panel PC	115
10.4" Embedded Panel PC	117
15.6" Embedded Panel PC	119
19" Embedded Panel PC	121
21.5" Embedded Panel PC	123

Embedded Touch Monitor

5" Embedded Touch Monitor	127
7" Embedded Touch Monitor	129
10.1" Embedded Touch Monitor	131
10.4" Embedded Touch Monitor	133
15.6" Embedded Touch Monitor	135
19" Embedded Touch Monitor	137
21.5" Embedded Touch Monitor	139

Embedded Touchscreen for Android

Android 7" PCAP Touchscreen	143
Android 10.1" PCAP Touchscreen	145
Android 10.4" PCAP Touchscreen	147
Android 15.6" PCAP Touchscreen	149
Android 19" PCAP Touchscreen	151
Android 21.5" PCAP Touchscreen	153

Open Frame Panel PC

PC 10.1" Open Frame Panel PC	157
PC 10.4" Open Frame Panel PC	159
PC 12.1" Open Frame Panel PC	161
PC 15" Open Frame Panel PC	163
PC 15.6" Open Frame Panel PC	165
PC 15.6C" Open Frame Panel PC	167
PC 17" Open Frame Panel PC	169
PC 19C" Open Frame Panel PC	171
PC 19" Open Frame Panel PC	173
PC 21.5" Open Frame Panel PC	175

Open Frame Touch Monitor

Monitor 10.1" Open Frame Touch Monitor	179
Monitor 10.4" Open Frame Touch Monitor	181
Monitor 12.1" Open Frame Touch Monitor	183
Monitor 15" Open Frame Touch Monitor	185
Monitor 15.6" Open Frame Touch Monitor	187
Monitor 15.6C" Open Frame Touch Monitor	189
Monitor 17" Open Frame Touch Monitor	191
Monitor 19" Open Frame Touch Monitor	193
Monitor 19C" Open Frame Touch Monitor	195
Monitor 21.5C" Open Frame Touch Monitor	197

Open Frame Touchscreen for Android

Android 10.1" Open Frame Touchscreen	201
Android 10.4" Open Frame Touchscreen	203
Android 12.4" Open Frame Touchscreen	205
Android 15" Open Frame Touchscreen	207
Android 15.6" Open Frame Touchscreen	209
Android 15.6C" Open Frame Touchscreen	211
Android 17" Open Frame Touchscreen	213
Android 19" Open Frame Touchscreen	215
Android 19C" Open Frame Touchscreen	217
Android 21.5C" Open Frame Touchscreen	219

Touch Screen Kiosk

10.1" Touch Screen Kiosk	223
10.1E" Touch Screen Kiosk	225
15.6E" Touch Screen Kiosk	227
15.6C" Touch Screen Kiosk	229
21.5C" Touch Screen Kiosk	231
21.5E" Touch Screen Kiosk	233
23.8C" Touch Screen Kiosk	235
27C" Touch Screen Kiosk	237
32C" Touch Screen Kiosk	239

Floor Stand Touch Kiosk

15.6" Floor Stand Touch Kiosk	243
21.5" Floor Stand Touch Kiosk	247
32" Floor Stand Touch Kiosk	251



Fantastic build quality.

Fantastic build quality rarely found in multiple touchscreen sizes, It is a series of robust android tablet with toughened glass touchscreen and metal shell for long lasting durability in public spaces.

VESA fixings

VESA fixings on the rear allow for easy wall or desk mounting, with compatibility with a wide range of wall mounts and desk mount accessories.

Google mobile services ready.

Enjoy the seamless experience with your App on the mobile phone

Commercial-Grade Performance

Thanks to the deep collaboration with Rockchip! TouchWo could offer a stable supply of the latest Rockchip solution. TD series match with NPU in default. It's never been easier to run a graphics processing application.

Exclusive Custom Service

You could customize the TD series from the inside out. Having your own firmware with your own boot logo. Lock your APP on the foreground, Asking for any types of API. Also customizing the hardware is very flexible, adding various I/Os, implementing POE supply, adding batteries, etc.

Touchscreen for Android Space saving all in one design with choice of integrated Android PC to suit most price budgets.

Choose from Android 7 or Android 11 OS versions.

7" Touchscreen for Android

TD070

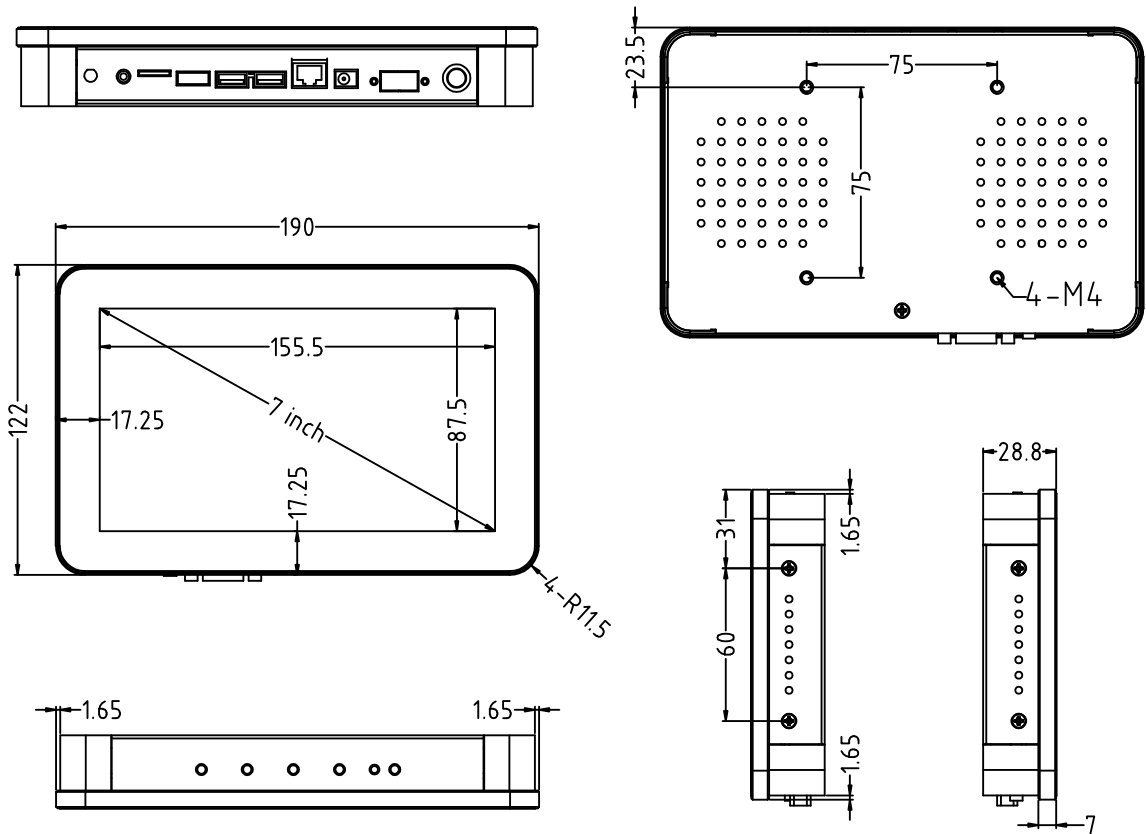


Multiple I/O

HDMI/USB/LAN/COM

Full Aluminum Chassis

corrosion and oxidation resistance



PC System

CPU	Rockchip RK3568	Rockchip RK3288	Rockchip RK3399
Graphic GPU	ARM G52 2EE	Mali-T764	PowerVR G6110
Audio	-	-	-
Memory	2G (4G optional)	2G (4G optional)	2G (4G optional)
Storage	16G/32G eMMC	16G/32G eMMC	16G/32G eMMC
Network	10/100M RJ45, 802.11a/b/g/n Wifi	10/100M RJ45, 802.11a/b/g/n Wifi	10/100M RJ45, 802.11a/b/g/n Wifi
Pre-installed OS	Android 11	Android 9	Android 9

LCD Panel

IP Rating	IP65 Front
Screen diagonal	7inch
Display active screen size (mm)	155.5(W)*87.5(H)mm
Aspect ratio	16:9
Physical resolution	1024*600
Colours displayed	16.7M
Brightness (cd/m2)	250
Contrast	1000:1
Visual Angle H/V (°)	175/175
Backlight Lifetime (hours)	LED / 30,000

Power

Power Supply	100-240V AC;
Working Power (V)	12
Power Consumption (W)	<25
Stand-By Consumption (W)	<1

Internal Connectors

USB2.0 (In-board pins)	x 3	Pin for Headphone	x1
DB9 (TTL)	X3	Pin for 12V power	x1
Pin for Mic	x1	Pin for Speaker(3W/4Ω)	x1
Pin for Remote	x1	Pin for GPIO	x1
Pin for Button	x1	Sim Card slot	optional

External Connectors

12v DC IN	x1	HDMI out	x1
OTG USB	x1	USB	X1
RJ45 Ports	x1	Tf card slot	x1
Headphone	x1		

Operation

Operating Temperature (°C)	0°C-50°C
Humidity Range (RH)	0% - 90%
Net weight (kg)	0.74kg
Gross weight (kg)	1.75kg
Housing material	Sheet Metal
Housing (mm) L × W × H	190*122*28.8
Mounting	75*75

Touch Panel

Touch Technology	Projected Capacitive
Touch Connector	USB
Surface Hardness	6

Included in the Delivery

Manual	x1	Power Supply	x1
Wall mount bracket	x1	WIFI antenna	X1

Installation



8" Touchscreen for Android

TD080

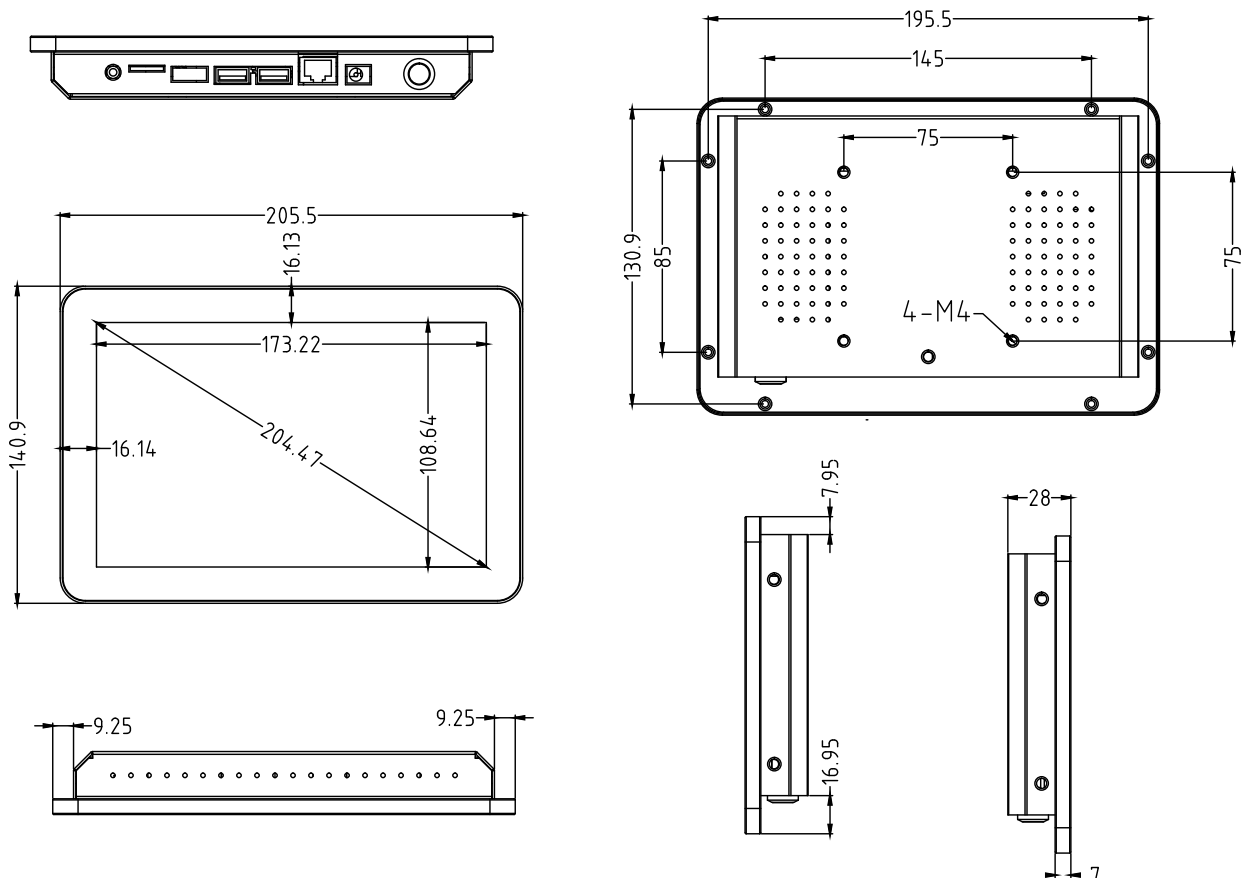


Multiple I/O

HDMI/USB/LAN/COM

Full Aluminum Chassis

corrosion and oxidation resistance



PC System

CPU	Rockchip RK3568	Rockchip RK3288	Rockchip RK3399
Graphic GPU	ARM G52 2EE	Mali-T764	PowerVR G6110
Audio	-	-	-
Memory	2G (4G optional)	2G (4G optional)	2G (4G optional)
Storage	16G/32G eMMC	16G/32G eMMC	16G/32G eMMC
Network	10/100M RJ45, 802.11a/b/g/n Wifi	10/100M RJ45, 802.11a/b/g/n Wifi	10/100M RJ45, 802.11a/b/g/n Wifi
Pre-installed	Android 11	Android 9	Android 9

LCD Panel

IP Rating	IP65 Front
Screen diagonal	8inch
Display active screen size (mm)	173(W)*108.6(H)
Aspect ratio	16:9
Physical resolution	1280*800
Colours displayed	16.7M
Brightness (cd/m2)	250
Contrast	1000:1
Visual Angle H/V (°)	175/175
Backlight Lifetime (hours)	LED / 30,000

Power

Power Supply	100-240V AC;
Working Power (V)	12
Power Consumption (W)	<25
Stand-By Consumption (W)	<1

Internal Connectors

USB2.0 (In-board pins)	x 3	Pin for Headphone	x1
DB9 (TTL)	X3	Pin for 12V power	x1
Pin for Mic	x1	Pin for Speaker(3W/4Ω)	x1
Pin for Remote	x1	Pin for GPIO	x1
Pin for Button	x1	Sim Card slot	optional

External Connectors

12v DC IN	x1	HDMI out	x1
OTG USB	x1	USB	X1
RJ45 Ports	x1	Tf card slot	x1
Headphone	x1		

Operation

Operating Temperature (°C)	0°C-50°C
Humidity Range (RH)	0% - 90%
Net weight (kg)	0.95kg
Gross weight (kg)	1.95kg
Housing material	Sheet Metal
Housing (mm) L × W × H	140.9*205.5*28
Mounting	75*75

Touch Panel

Touch Technology	Projected Capacitive
Touch Connector	USB
Surface Hardness	6

Included in the Delivery

Manual	x1	Power Supply	x1
Wall mount bracket	x1	WIFI antenna	X1

Installation



8" Touchscreen for Android

JD080

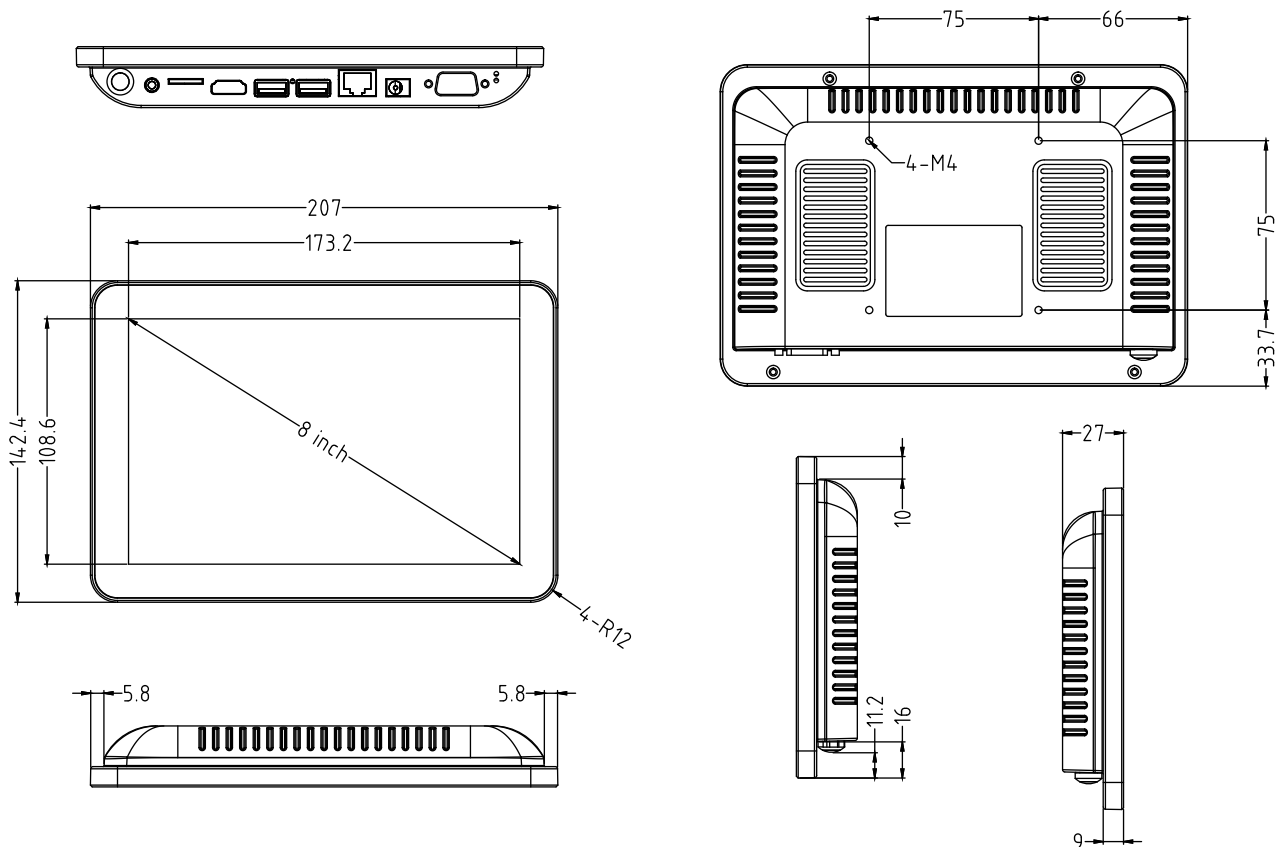


Multiple I/O

HDMI/USB/LAN/COM

Full Aluminum Chassis

corrosion and oxidation resistance



PC System

CPU	Rockchip RK3568	Rockchip RK3288	Rockchip RK3399
Graphic GPU	ARM G52 2EE	Mali-T764	PowerVR G6110
Audio	-	-	-
Memory	2G (4G optional)	2G (4G optional)	2G (4G optional)
Storage	16G/32G eMMC	16G/32G eMMC	16G/32G eMMC
Network	10/100M RJ45, 802.11a/b/g/n Wifi	10/100M RJ45, 802.11a/b/g/n Wifi	10/100M RJ45, 802.11a/b/g/n Wifi
Pre-installed	Android 11	Android 9	Android 9

LCD Panel

IP Rating	IP65 Front
Screen diagonal	8inch
Display active screen size (mm)	173.2(W)*108.6(H)
Aspect ratio	16:10
Physical resolution	1280*800
Colours displayed	16.7M
Brightness (cd/m2)	250
Contrast	1000:1
Visual Angle H/V (°)	175/175
Backlight Lifetime (hours)	LED / 30,000

Power

Power Supply	100-240V AC;
Working Power (V)	12
Power Consumption (W)	<25
Stand-By Consumption (W)	<1

Internal Connectors

USB2.0 (In-board pins)	x3	Pin for Headphone	x1
DB9 (TTL)	X3	Pin for 12V power	x1
Pin for Mic	x1	Pin for Speaker(1W/8Ω)	x1
Pin for Remote	x1	Pin for GPIO	x1
Pin for Button	x1	Sim Card slot	optional

External Connectors

12v DC IN	x1	HDMI out	x1
OTG USB	x1	USB	X1
RJ45 Ports	x1	Tf card slot	x1
Headphone	x1	DB9 (TTL)	x1

Operation

Operating Temperature (°C)	0°C-50°C
Humidity Range (RH)	10% - 80%
Net weight (kg)	0.6kg
Gross weight (kg)	1.6kg
Housing material	Aluminum
Housing (mm) L × W × H	207*142.4*27
Mounting	75*75

Touch Panel

Touch Technology	Projected Capacitive
Touch Connector	USB
Surface Hardness	7

Included in the Delivery

Manual	x1	Power Supply	x1
Wall mount bracket	x1	WIFI antenna	X1

Installation



10.1" Touchscreen for Android

TD101

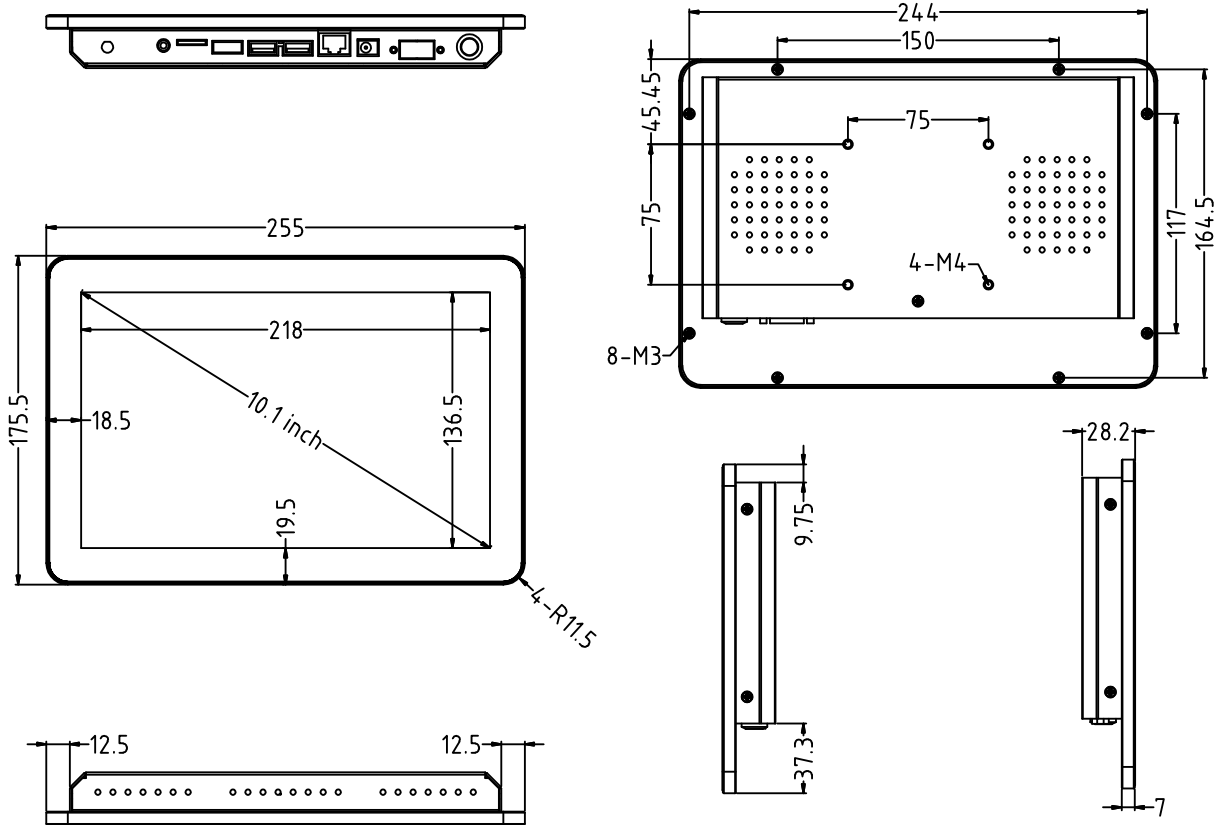


Multiple I/O

HDMI/USB/LAN/COM

Full Aluminum Chassis

corrosion and oxidation resistance



PC System

CPU	Rockchip RK3568	Rockchip RK3288	Rockchip RK3399
Graphic GPU	ARM G52 2EE	Mali-T764	PowerVR G6110
Audio	-	-	-
Memory	2G (4G optional)	2G (4G optional)	2G (4G optional)
Storage	16G/32G eMMC	16G/32G eMMC	16G/32G eMMC
Network	10/100M RJ45, 802.11a/b/g/n Wifi	10/100M RJ45, 802.11a/b/g/n Wifi	10/100M RJ45, 802.11a/b/g/n Wifi
Pre-installed	Android 11	Android 9	Android 9

LCD Panel

IP Rating	IP65 Front
Screen diagonal	10.1inch
Display active screen size (mm)	218(W)*136.5(H)
Aspect ratio	16:9
Physical resolution	1280*800
Colours displayed	16.7M
Brightness (cd/m2)	250
Contrast	1000:1
Visual Angle H/V (°)	175/175
Backlight Lifetime (hours)	LED / 30,000

Power

Power Supply	100-240V AC;
Working Power (V)	12
Power Consumption (W)	<25
Stand-By Consumption (W)	<1

Internal Connectors

USB2.0 (In-board pins)	x 3	Pin for Headphone	x1
DB9 (TTL)	X3	Pin for 12V power	x1
Pin for Mic	x1	Pin for Speaker(3W/4Ω)	x1
Pin for Remote	x1	Pin for GPIO	x1
Pin for Button	x1	Sim Card slot	optional

External Connectors

12v DC IN	x1	HDMI out	x1
OTG USB	x1	USB	X1
RJ45 Ports	x1	Tf card slot	x1
Headphone	x1	DB9 (TTL)	optional

Operation

Operating Temperature (°C)	0°C-50°C
Humidity Range (RH)	0% - 90%
Net weight (kg)	0.8kg
Gross weight (kg)	2kg
Housing material	Aluminum
Housing (mm) L × W × H	255*175.5*28.2
Mounting	75*75

Touch Panel

Touch Technology	Projected Capacitive
Touch Connector	USB
Surface Hardness	6

Included in the Delivery

Manual	x1	Power Supply	x1
Wall mount bracket	x1	WIFI antenna	X1

Installation



10.1" Touchscreen for Android

JD101

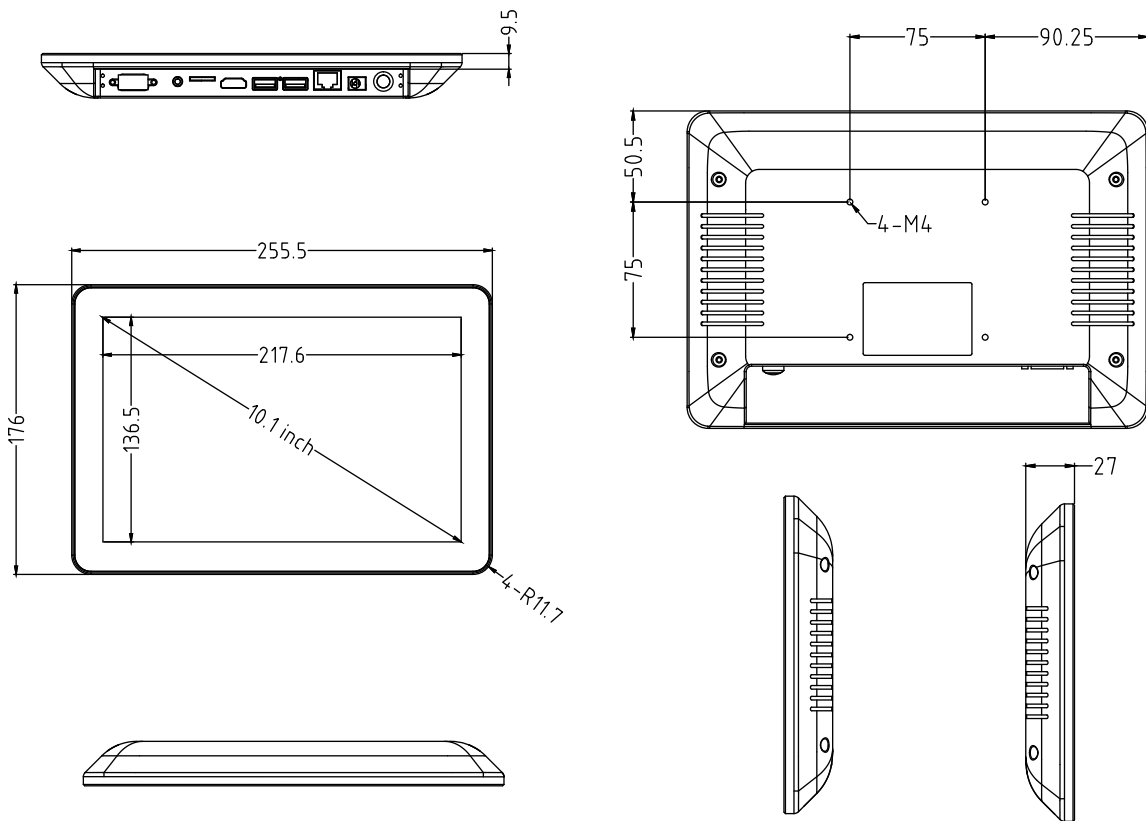


Multiple I/O

HDMI/USB/LAN/COM

Full Aluminum Chassis

corrosion and oxidation resistance



PC System

CPU	Rockchip RK3568	Rockchip RK3288	Rockchip RK3399
Graphic GPU	ARM G52 2EE	Mali-T764	PowerVR G6110
Audio	-	-	-
Memory	2G (4G optional)	2G (4G optional)	2G (4G optional)
Storage	16G/32G eMMC	16G/32G eMMC	16G/32G eMMC
Network	10/100M RJ45, 802.11a/b/g/n Wifi	10/100M RJ45, 802.11a/b/g/n Wifi	10/100M RJ45, 802.11a/b/g/n Wifi
Pre-installed	Android 11	Android 9	Android 9

LCD Panel

IP Rating	IP65 Front
Screen diagonal	10.1inch
Display active screen size (mm)	218(W)*136.5(H)
Aspect ratio	16:9
Physical resolution	1280*800
Colours displayed	16.7M
Brightness (cd/m2)	250
Contrast	1000:1
Visual Angle H/V (°)	175/175
Backlight Lifetime (hours)	LED / 30,000

Power

Power Supply	100-240V AC;
Working Power (V)	12
Power Consumption (W)	<25
Stand-By Consumption (W)	<1

Internal Connectors

USB2.0 (In-board pins)	x3	Pin for Headphone	x1
DB9 (TTL)	X3	Pin for 12V power	x1
Pin for Mic	x1	Pin for Speaker(1W/8Ω)	x1
Pin for Remote	x1	Pin for GPIO	x1
Pin for Button	x1	Sim Card slot	optional

External Connectors

12v DC IN	x1	HDMI out	x1
OTG USB	x1	USB	X1
RJ45 Ports	x1	Tf card slot	x1
Headphone	x1	DB9 (TTL)	x1

Operation

Operating Temperature (°C)	0°C-50°C
Humidity Range (RH)	0% - 90%
Net weight (kg)	0.8kg
Gross weight (kg)	2kg
Housing material	Aluminum
Housing (mm) L × W × H	255.5*176*27
Mounting	75*75

Touch Panel

Touch Technology	Projected Capacitive
Touch Connector	USB
Surface Hardness	7

Included in the Delivery

Manual	x1	Power Supply	x1
Wall mount bracket	x1	WIFI antenna	X1

Installation



11.6" Touchscreen for Android

TD116

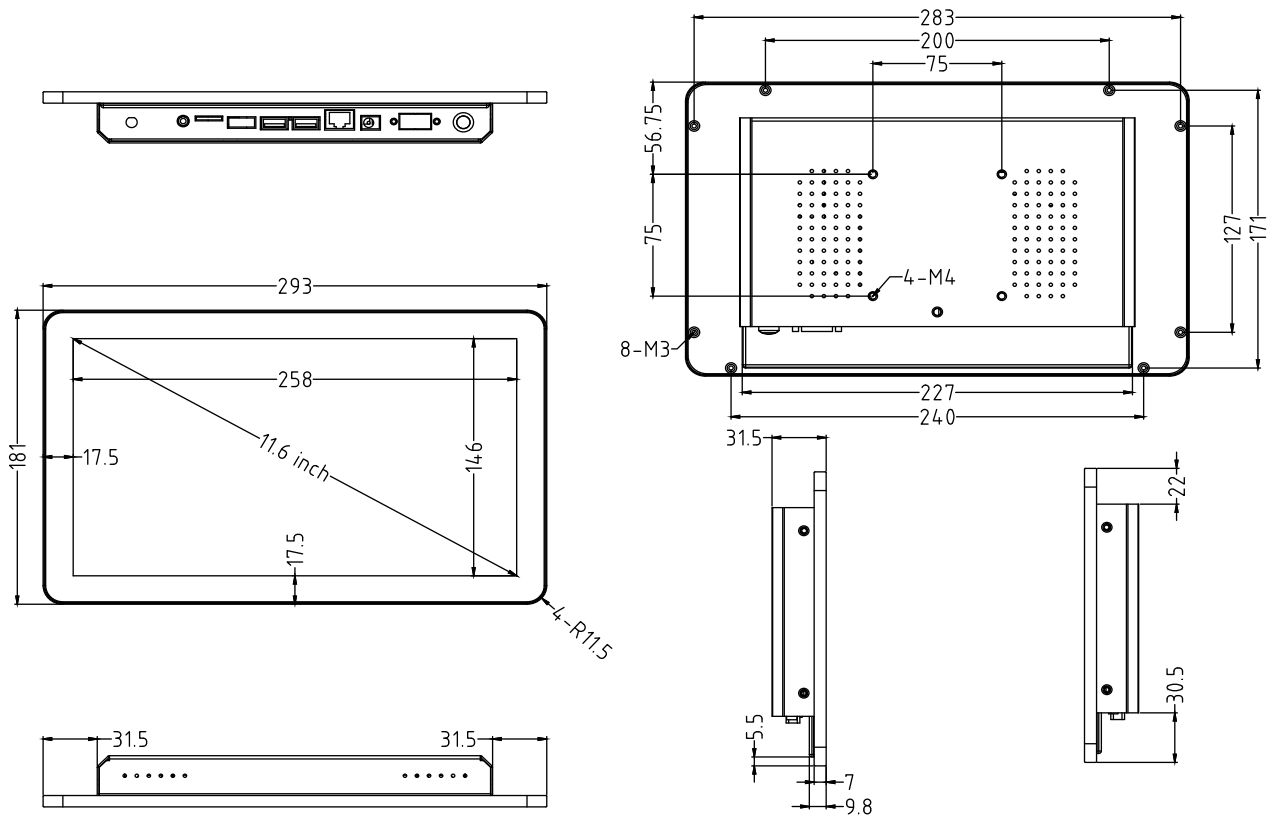


Multiple I/O

HDMI/USB/LAN/COM

Full Aluminum Chassis

corrosion and oxidation resistance



PC System

CPU	Rockchip RK3568	Rockchip RK3288	Rockchip RK3399
Graphic GPU	ARM G52 2EE	Mali-T764	PowerVR G6110
Audio	-	-	-
Memory	2G (4G optional)	2G (4G optional)	2G (4G optional)
Storage	16G/32G eMMC	16G/32G eMMC	16G/32G eMMC
Network	10/100M RJ45, 802.11a/b/g/n Wifi	10/100M RJ45, 802.11a/b/g/n Wifi	10/100M RJ45, 802.11a/b/g/n Wifi
Pre-installed	Android 11	Android 9	Android 9

LCD Panel

IP Rating	IP65 Front
Screen diagonal	11.6inch
Display active screen size (mm)	258(W)*146(H)
Aspect ratio	16:9
Physical resolution	1920*1080
Colours displayed	16.7M
Brightness (cd/m2)	250
Contrast	1000:1
Visual Angle H/V (°)	175/175
Backlight Lifetime (hours)	LED / 30,000

Power

Power Supply	100-240V AC;
Working Power (V)	12
Power Consumption (W)	<25
Stand-By Consumption (W)	<1

Internal Connectors

USB2.0 (In-board pins)	x 3	Pin for Headphone	x1
DB9 (TTL)	X3	Pin for 12V power	x1
Pin for Mic	x1	Pin for Speaker(3W/4Ω)	x1
Pin for Remote	x1	Pin for GPIO	x1
Pin for Button	x1	Sim Card slot	optional

External Connectors

12v DC IN	x1	HDMI out	x1
OTG USB	x1	USB	X1
RJ45 Ports	x1	Tf card slot	x1
Headphone	x1	DB9 (TTL)	optional

Operation

Operating Temperature (°C)	0°C-50°C
Humidity Range (RH)	0% - 90%
Net weight (kg)	1.19kg
Gross weight (kg)	2.34kg
Housing material	Aluminum
Housing (mm) L × W × H	293*181*31.5
Mounting	75*75

Touch Panel

Touch Technology	Projected Capacitive
Touch Connector	USB
Surface Hardness	6

Included in the Delivery

Manual	x1	Power Supply	x1
Wall mount bracket	x1	WIFI antenna	X1

Installation



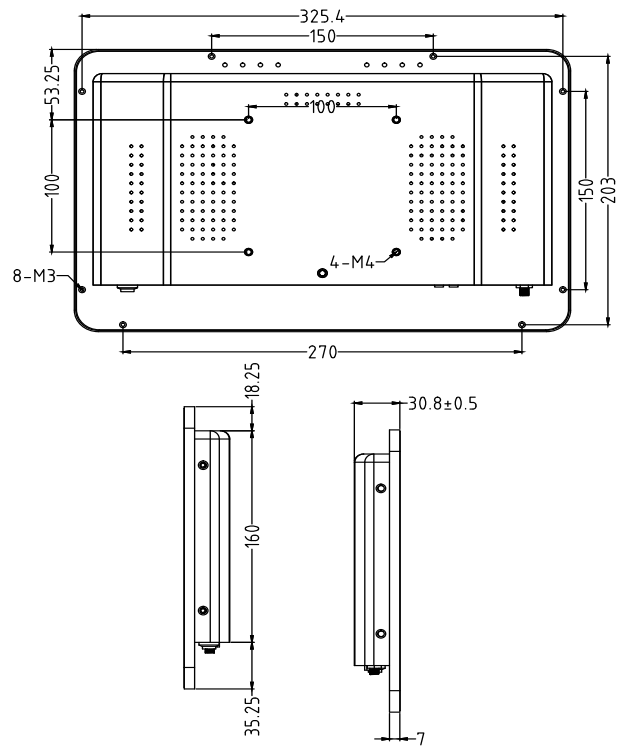
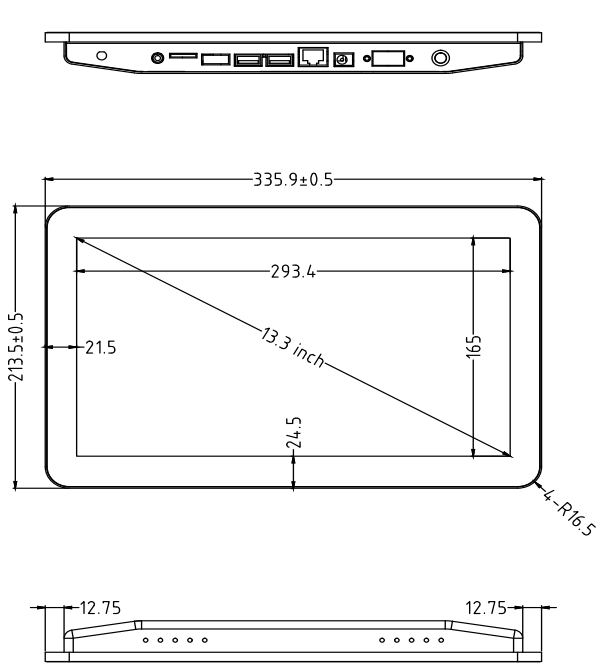
13.3" Touchscreen for Android

TD133C      



Multiple I/O
HDMI/USB/LAN/COM

Full Aluminum Chassis
corrosion and oxidation resistance



PC System

CPU	Rockchip RK3568	Rockchip RK3288	Rockchip RK3399
Graphic GPU	ARM G52 2EE	Mali-T764	PowerVR G6110
Audio	-	-	-
Memory	2G (4G optional)	2G (4G optional)	2G (4G optional)
Storage	16G/32G eMMC	16G/32G eMMC	16G/32G eMMC
Network	10/100M RJ45, 802.11a/b/g/n Wifi	10/100M RJ45, 802.11a/b/g/n Wifi	10/100M RJ45, 802.11a/b/g/n Wifi
Pre-installed	Android 11	Android 9	Android 9

LCD Panel

IP Rating	IP65 Front
Screen diagonal	13.3inch
Display active screen size (mm)	293.4 (W)*165 (H)
Aspect ratio	16:9
Physical resolution	1920*1080
Colours displayed	16.7M
Brightness (cd/m2)	250
Contrast	1000:1
Visual Angle H/V (°)	175/175
Backlight Lifetime (hours)	LED / 30,000

Power

Power Supply	100-240V AC;
Working Power (V)	12
Power Consumption (W)	<25
Stand-By Consumption (W)	<1

Internal Connectors

USB2.0 (In-board pins)	x 3	Pin for Headphone	x1
DB9 (TTL)	X3	Pin for 12V power	x1
Pin for Mic	x1	Pin for Speaker(3W/4Ω)	x1
Pin for Remote	x1	Pin for GPIO	x1
Pin for Button	x1	Sim Card slot	optional

External Connectors

12v DC IN	x1	HDMI out	x1
OTG USB	x1	USB	X1
RJ45 Ports	x1	Tf card slot	x1
Headphone	x1	DB9 (TTL)	optional

Operation

Operating Temperature (°C)	0°C-50°C
Humidity Range (RH)	0% - 90%
Net weight (kg)	1.2kg
Gross weight (kg)	2.5kg
Housing material	Aluminum
Housing (mm) L × W × H	324.8*200.3*31
Mounting	75*75

Touch Panel

Touch Technology	Projected Capacitive
Touch Connector	USB
Surface Hardness	6

Included in the Delivery

Manual	x1	Power Supply	x1
Wall mount bracket	x1	WIFI antenna	X1

Installation



13.3" Touchscreen for Android

JD133

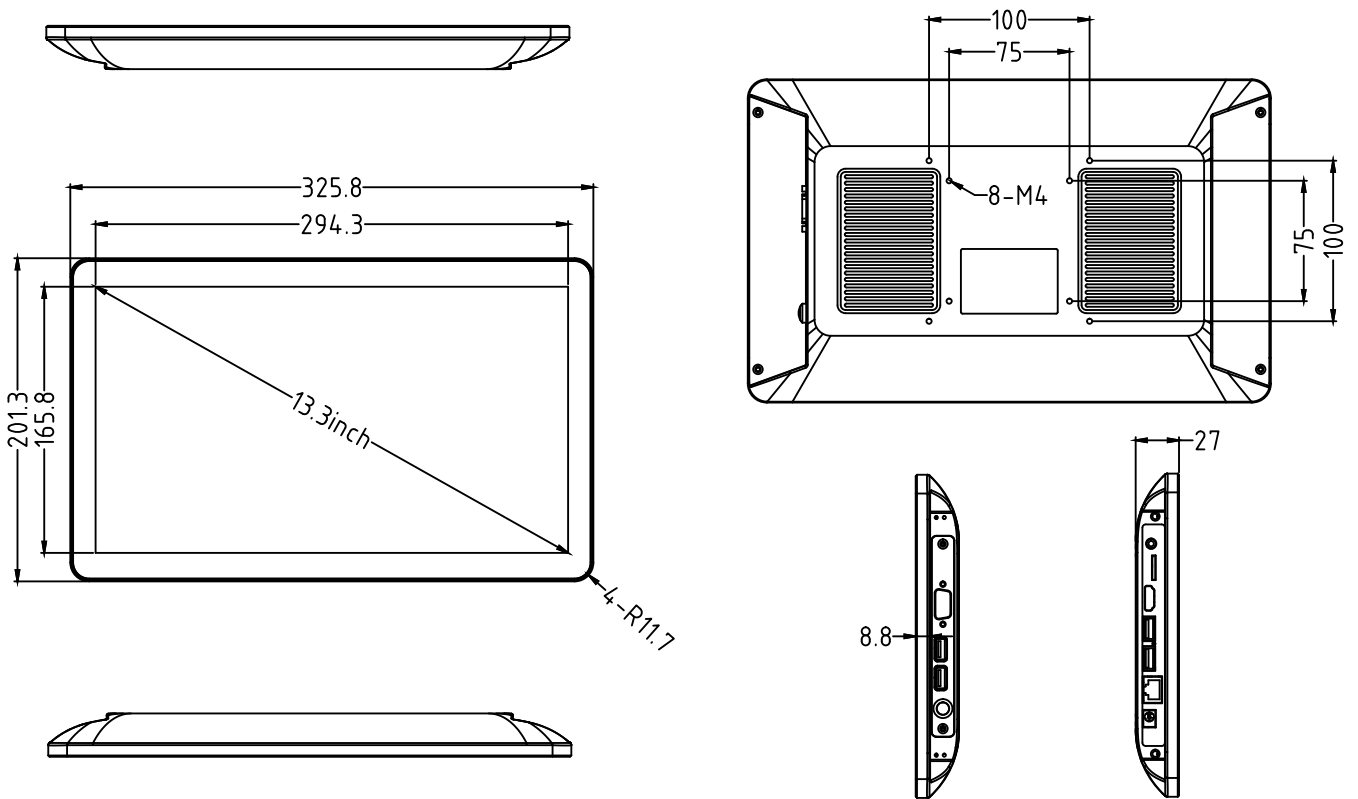


Multiple I/O

HDMI/USB/LAN/COM

Full Aluminum Chassis

corrosion and oxidation resistance



PC System

CPU	Rockchip RK3568	Rockchip RK3288	Rockchip RK3399
Graphic GPU	ARM G52 2EE	Mali-T764	PowerVR G6110
Audio	-	-	-
Memory	2G (4G optional)	2G (4G optional)	2G (4G optional)
Storage	16G/32G eMMC	16G/32G eMMC	16G/32G eMMC
Network	10/100M RJ45, 802.11a/b/g/n Wifi	10/100M RJ45, 802.11a/b/g/n Wifi	10/100M RJ45, 802.11a/b/g/n Wifi
Pre-installed	Android 11	Android 9	Android 9

LCD Panel

IP Rating	IP65 Front
Screen diagonal	13.3inch
Display active screen size (mm)	294.3 (W)*165.8 (H)
Aspect ratio	16:9
Physical resolution	1920*1080
Colours displayed	16.7M
Brightness (cd/m2)	250
Contrast	1000:1
Visual Angle H/V (°)	175/175
Backlight Lifetime (hours)	LED / 30,000

Power

Power Supply	100-240V AC;
Working Power (V)	12
Power Consumption (W)	<25
Stand-By Consumption (W)	<1

Internal Connectors

USB2.0 (In-board pins)	x 3	Pin for Headphone	x1
DB9 (TTL)	X3	Pin for 12V power	x1
Pin for Mic	x1	Pin for Speaker(1W/8Ω)	x1
Pin for Remote	x1	Pin for GPIO	x1
Pin for Button	x1	Sim Card slot	optional

External Connectors

12v DC IN	x1	HDMI out	x1
OTG USB	x1	USB	X3
RJ45 Ports	x1	Tf card slot	x1
Headphone	x1	DB9 (TTL)	*1

Operation

Operating Temperature (°C)	0°C-50°C
Humidity Range (RH)	0% - 90%
Net weight (kg)	1.4kg
Gross weight (kg)	2.75kg
Housing material	Aluminum
Housing (mm) L × W × H	325.8*201.3*27
Mounting	75*75/100*100

Touch Panel

Touch Technology	Projected Capacitive
Touch Connector	USB
Surface Hardness	7

Included in the Delivery

Manual	x1	Power Supply	x1
Wall mount bracket	x1	WIFI antenna	X1

Installation



14" Touchscreen for Android

TD14

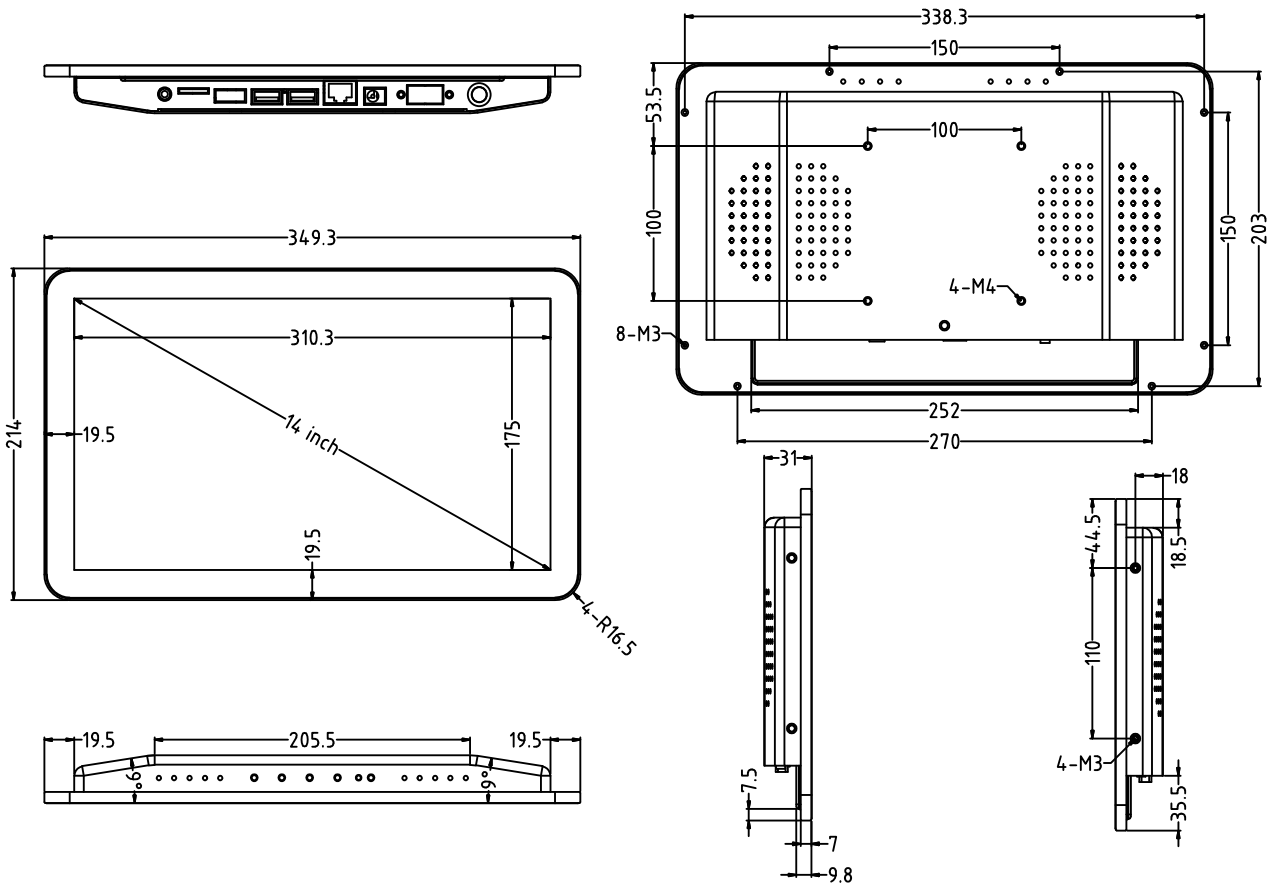


Multiple I/O

HDMI/USB/LAN/COM

Full Aluminum Chassis

corrosion and oxidation resistance



PC System

CPU	Rockchip RK3568	Rockchip RK3288	Rockchip RK3399
Graphic GPU	ARM G52 2EE	Mali-T764	PowerVR G6110
Audio	-	-	-
Memory	2G (4G optional)	2G (4G optional)	2G (4G optional)
Storage	16G/32G eMMC	16G/32G eMMC	16G/32G eMMC
Network	10/100M RJ45, 802.11a/b/g/n Wifi	10/100M RJ45, 802.11a/b/g/n Wifi	10/100M RJ45, 802.11a/b/g/n Wifi
Pre-installed	Android 11	Android 9	Android 9

LCD Panel

IP Rating	IP65 Front
Screen diagonal	14inch
Display active screen size (mm)	310.3 (W)*175 (H)
Aspect ratio	16:9
Physical resolution	1920*1080
Colours displayed	16.7M
Brightness (cd/m2)	250
Contrast	1000:1
Visual Angle H/V (°)	175/175
Backlight Lifetime (hours)	LED / 30,000

Power

Power Supply	100-240V AC;
Working Power (V)	12
Power Consumption (W)	<25
Stand-By Consumption (W)	<1

Internal Connectors

USB2.0 (In-board pins)	x 3	Pin for Headphone	x1
DB9 (TTL)	X3	Pin for 12V power	x1
Pin for Mic	x1	Pin for Speaker(3W/4Ω)	x1
Pin for Remote	x1	Pin for GPIO	x1
Pin for Button	x1	Sim Card slot	optional

External Connectors

12v DC IN	x1	HDMI out	x1
OTG USB	x1	USB	X1
RJ45 Ports	x1	Tf card slot	x1
Headphone	x1	DB9 (TTL)	optional

Operation

Operating Temperature (°C)	0°C-50°C
Humidity Range (RH)	0% - 90%
Net weight (kg)	1.23kg
Gross weight (kg)	2.34kg
Housing material	Aluminum
Housing (mm) L × W × H	349.3*214*31
Mounting	100*100

Touch Panel

Touch Technology	Projected Capacitive
Touch Connector	USB
Surface Hardness	6

Included in the Delivery

Manual	x1	Power Supply	x1
Wall mount bracket	x1	WIFI antenna	X1

Installation



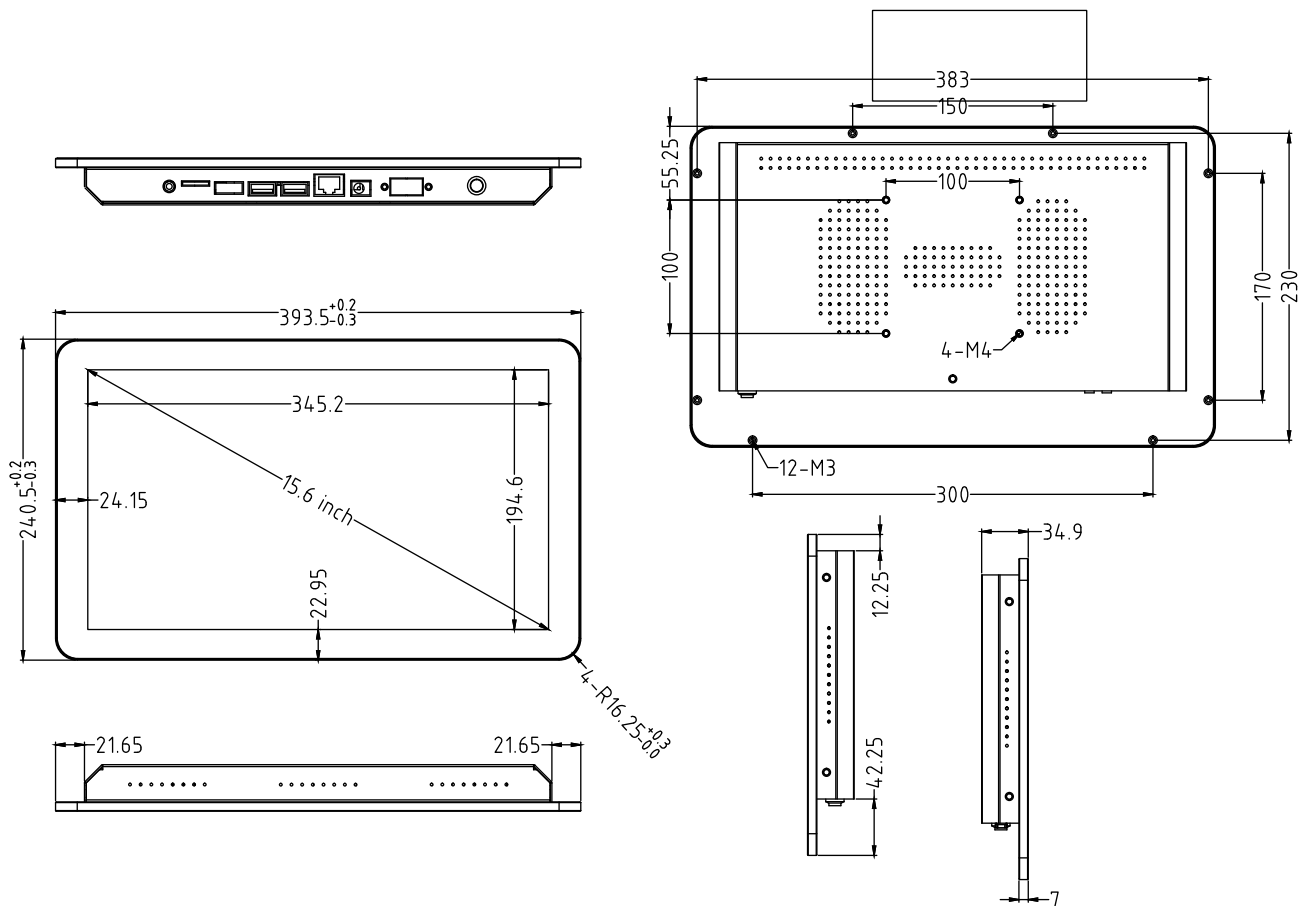
15.6" Touchscreen for Android

TD156C



Multiple I/O
HDMI/USB/LAN/COM

Full Aluminum Chassis
corrosion and oxidation resistance



PC System

CPU	Rockchip RK3568	Rockchip RK3288	Rockchip RK3399
Graphic GPU	ARM G52 2EE	Mali-T764	PowerVR G6110
Audio	-	-	-
Memory	2G (4G optional)	2G (4G optional)	2G (4G optional)
Storage	16G/32G eMMC	16G/32G eMMC	16G/32G eMMC
Network	10/100M RJ45, 802.11a/b/g/n Wifi	10/100M RJ45, 802.11a/b/g/n Wifi	10/100M RJ45, 802.11a/b/g/n Wifi
Pre-installed	Android 11	Android 9	Android 9

D Panel

IP Rating	IP65 Front
Screen diagonal	15.6inch
Display active screen size (mm)	345.2 (W)*194.6 (H)
Aspect ratio	16:9
Physical resolution	1920*1080
Colours displayed	16.7M
Brightness (cd/m2)	250
Contrast	1000:1
Visual Angle H/V (°)	175/175
Backlight Lifetime (hours)	LED / 30,000

Power

Power Supply	100-240V AC;
Working Power (V)	12
Power Consumption (W)	<25
Stand-By Consumption (W)	<1

Internal Connectors

USB2.0 (In-board pins)	x 3	Pin for Headphone	x1
DB9 (TTL)	X3	Pin for 12V power	x1
Pin for Mic	x1	Pin for Speaker(3W/4Ω)	x1
Pin for Remote	x1	Pin for GPIO	x1
Pin for Button	x1	Sim Card slot	optional

External Connectors

12v DC IN	x1	HDMI out	x1
OTG USB	x1	USB	X1
RJ45 Ports	x1	Tf card slot	x1
Headphone	x1	DB9 (TTL)	optional

Operation

Operating Temperature (°C)	0°C-50°C
Humidity Range (RH)	0% - 90%
Net weight (kg)	1.65kg
Gross weight (kg)	3.07kg
Housing material	Aluminum
Housing (mm) L × W × H	394*241*34.9
Mounting	75*75

Touch Panel

Touch Technology	Projected Capacitive
Touch Connector	USB
Surface Hardness	6

Included in the Delivery

Manual	x1	Power Supply	x1
Wall mount bracket	x1	WIFI antenna	X1

Installation



15.6" Touchscreen for Android

JD156

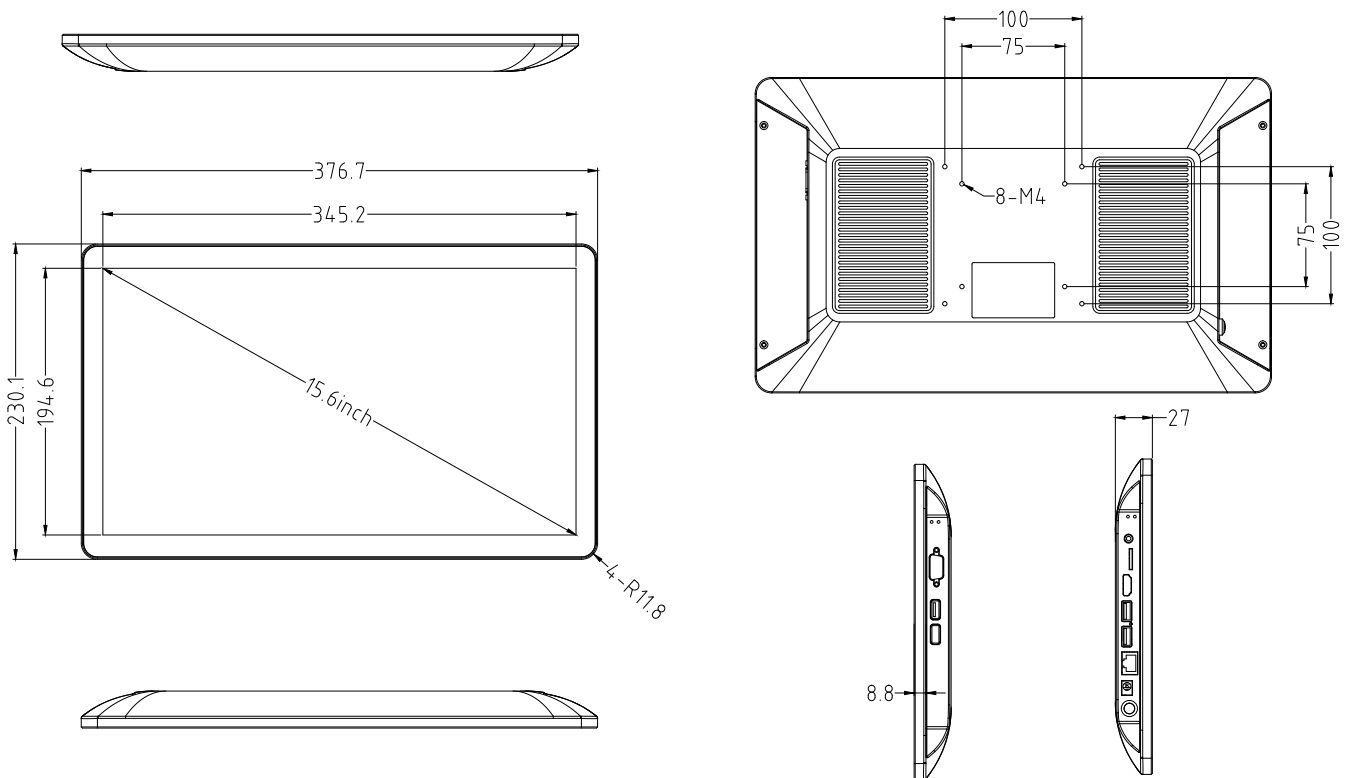


Multiple I/O

HDMI/USB/LAN/COM

Full Aluminum Chassis

corrosion and oxidation resistance



PC System

CPU	Rockchip RK3568	Rockchip RK3288	Rockchip RK3399
Graphic GPU		Mali-T764	PowerVR G6110
Audio	-	-	-
Memory	2G (4G optional)	2G (4G optional)	2G (4G optional)
Storage	16G/32G eMMC	16G/32G eMMC	16G/32G eMMC
Network	10/100M RJ45, 802.11a/b/g/n Wifi		
Pre-installed		Android 9	Android 9

D Panel

IP Rating	IP65 Front
Screen diagonal	15.6inch
Display active screen size (mm)	
Aspect ratio	16:9
Physical resolution	1920*1080
Colours displayed	16.7M
Brightness (cd/m2)	250
Contrast	1000:1
Visual Angle H/V (°)	175/175
Backlight Lifetime (hours)	LED / 30,000

Power

Power Supply	100-240V AC;
Working Power (V)	12
Power Consumption (W)	<25
Stand-By Consumption (W)	<1

Internal Connectors

USB2.0 (In-board pins)	x 3	Pin for Headphone	x1
DB9 (TTL)	X3	Pin for 12V power	x1
Pin for Mic	x1	Pin for Speaker(1W/8Ω)	x1
Pin for Remote	x1	Pin for GPIO	x1
Pin for Button	x1	Sim Card slot	optional

External Connectors

12v DC IN	x1	HDMI out	
OTG USB	x1	USB	X3
RJ45 Ports	x1	Tf card slot	
Headphone		DB9 (TTL)	

Operation

Operating Temperature (°C)	
Humidity Range (RH)	10% - 80%
Net weight (kg)	1.6kg
Gross weight (kg)	2.4kg
Housing material	Aluminum
Housing (mm) L × W × H	
Mounting	75*75/100*100

Touch Panel

Touch Technology	Projected Capacitive
Touch Connector	USB
Surface Hardness	7

Included in the Delivery

Manual	x1	Power Supply	
Wall mount bracket	x1		

Installation



PC System

CPU	Rockchip RK3568	Rockchip RK3288	Rockchip RK3399
Graphic GPU	ARM G52 2EE	Mali-T764	PowerVR G6110
Audio	-	-	-
Memory	2G (4G optional)	2G (4G optional)	2G (4G optional)
Storage	16G/32G eMMC	16G/32G eMMC	16G/32G eMMC
Network	10/100M RJ45, 802.11a/b/g/n Wifi	10/100M RJ45, 802.11a/b/g/n Wifi	10/100M RJ45, 802.11a/b/g/n Wifi
Pre-installed	Android 11	Android 9	Android 9

LCD Panel

IP Rating	IP65 Front
Screen diagonal	17.3inch
Display active screen size (mm)	383.2 (W)*216.2 (H)
Aspect ratio	16:9
Physical resolution	1920*1080
Colours displayed	16.7M
Brightness (cd/m2)	250
Contrast	1000:1
Visual Angle H/V (°)	175/175
Backlight Lifetime (hours)	LED / 30,000

Power

Power Supply	100-240V AC;
Working Power (V)	12
Power Consumption (W)	<25
Stand-By Consumption (W)	<1

Internal Connectors

USB2.0 (In-board pins)	x 3	Pin for Headphone	x1
DB9 (TTL)	X3	Pin for 12V power	x1
Pin for Mic	x1	Pin for Speaker(3W/4Ω)	x1
Pin for Remote	x1	Pin for GPIO	x1
Pin for Button	x1	Sim Card slot	optional

External Connectors

12v DC IN	x1	HDMI out	x1
OTG USB	x1	USB	X1
RJ45 Ports	x1	Tf card slot	x1
Headphone	x1	DB9 (TTL)	optional

Operation

Operating Temperature (°C)	0°C-50°C
Humidity Range (RH)	0% - 90%
Net weight (kg)	3.06kg
Gross weight (kg)	5.05kg
Housing material	Aluminum
Housing (mm) L × W × H	434*271*37
Mounting	75*75

Touch Panel

Touch Technology	Projected Capacitive
Touch Connector	USB
Surface Hardness	6

Included in the Delivery

Manual	x1	Power Supply	x1
Wall mount bracket	x1	WIFI antenna	X1

Installation



18.5" Touchscreen for Android

TD185

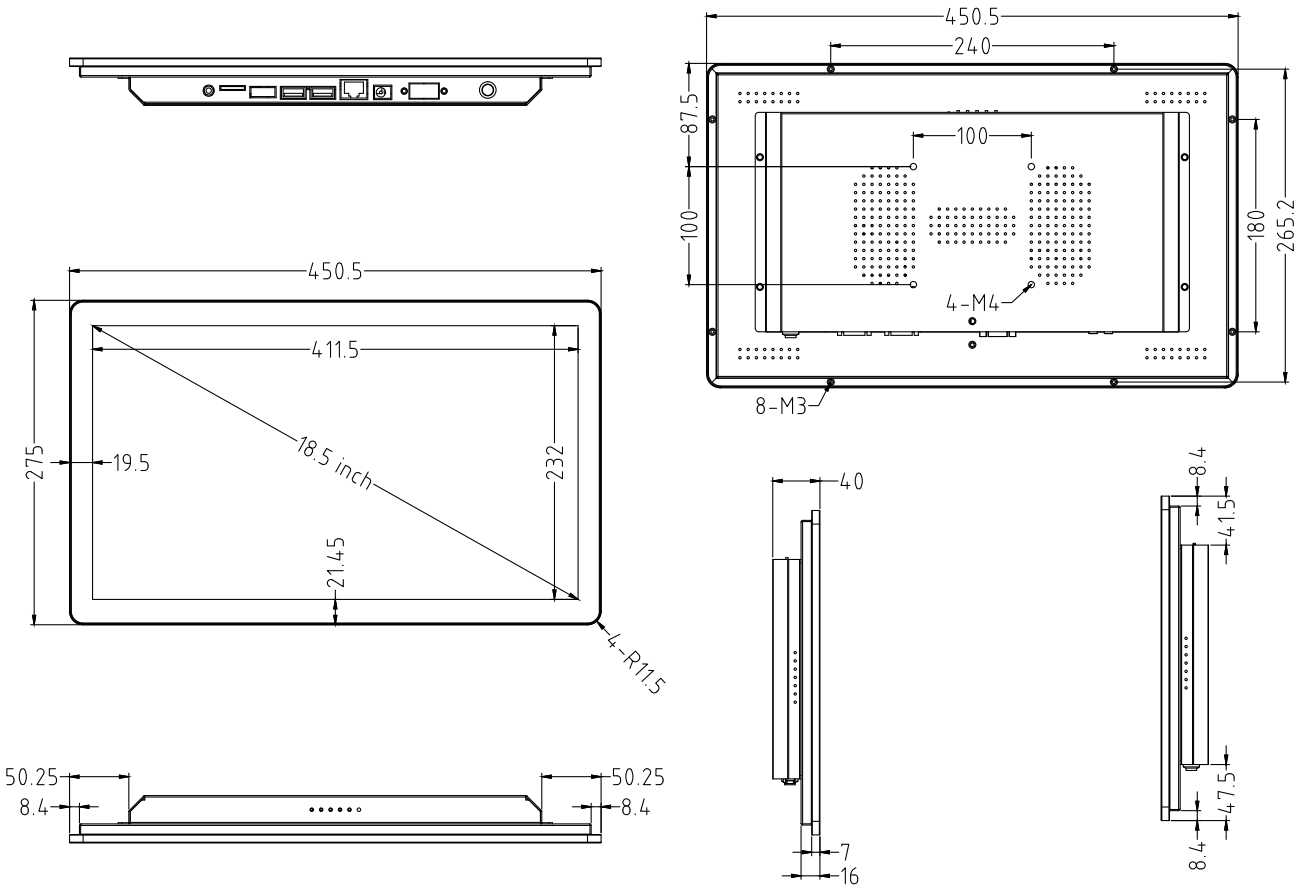


Multiple I/O

HDMI/USB/LAN/COM

Sheet metal Chassis

corrosion and oxidation resistance



PC System

CPU	Rockchip RK3568	Rockchip RK3288	Rockchip RK3399
Graphic GPU	ARM G52 2EE	Mali-T764	PowerVR G6110
Audio	-	-	-
Memory	2G (4G optional)	2G (4G optional)	2G (4G optional)
Storage	16G/32G eMMC	16G/32G eMMC	16G/32G eMMC
Network	10/100M RJ45, 802.11a/b/g/n Wifi	10/100M RJ45, 802.11a/b/g/n Wifi	10/100M RJ45, 802.11a/b/g/n Wifi
Pre-installed	Android 11	Android 9	Android 9

LCD Panel

IP Rating	IP65 Front
Screen diagonal	18.5inch
Display active screen size	411.5 (W)*232 (H)
Aspect ratio	16:9
Physical resolution	1366*768/1920*1080
Colours displayed	16.7M
Brightness (cd/m2)	250
Contrast	1000:1
Visual Angle H/V (°)	175/175
Backlight Lifetime (hours)	LED / 30,000

Power

Power Supply	100-240V AC;
Working Power (V)	12
Power Consumption (W)	<36
Stand-By Consumption (W)	<1

Internal Connectors

USB2.0 (In-board pins)	x 3	Pin for Headphone	x1
DB9 (TTL)	X3	Pin for 12V power	x1
Pin for Mic	x1	Pin for Speaker(3W/4Ω)	x1
Pin for Remote	x1	Pin for GPIO	x1
Pin for Button	x1	Sim Card slot	optional

External Connectors

12v DC IN	x1	HDMI out	x1
OTG USB	x1	USB	X1 +
RJ45 Ports	x1	Tf card slot	x1
Headphone	x1	DB9 (TTL)	optional

Operation

Operating Temperature (°C)	0°C-50°C
Humidity Range (RH)	0% - 90%
Net weight (kg)	3.8kg
Gross weight (kg)	5.95kg
Housing material	Sheet Metal
Housing (mm) L × W × H	450.5*275*40
Mounting	100*100

Touch Panel

Touch Technology	Projected Capacitive
Touch Connector	USB
Surface Hardness	6

Included in the Delivery

Manual	x1	Power Supply	x1
Wall mount bracket	x1	WIFI antenna	X1

Installation



21.5" Touchscreen for Android

TD215E

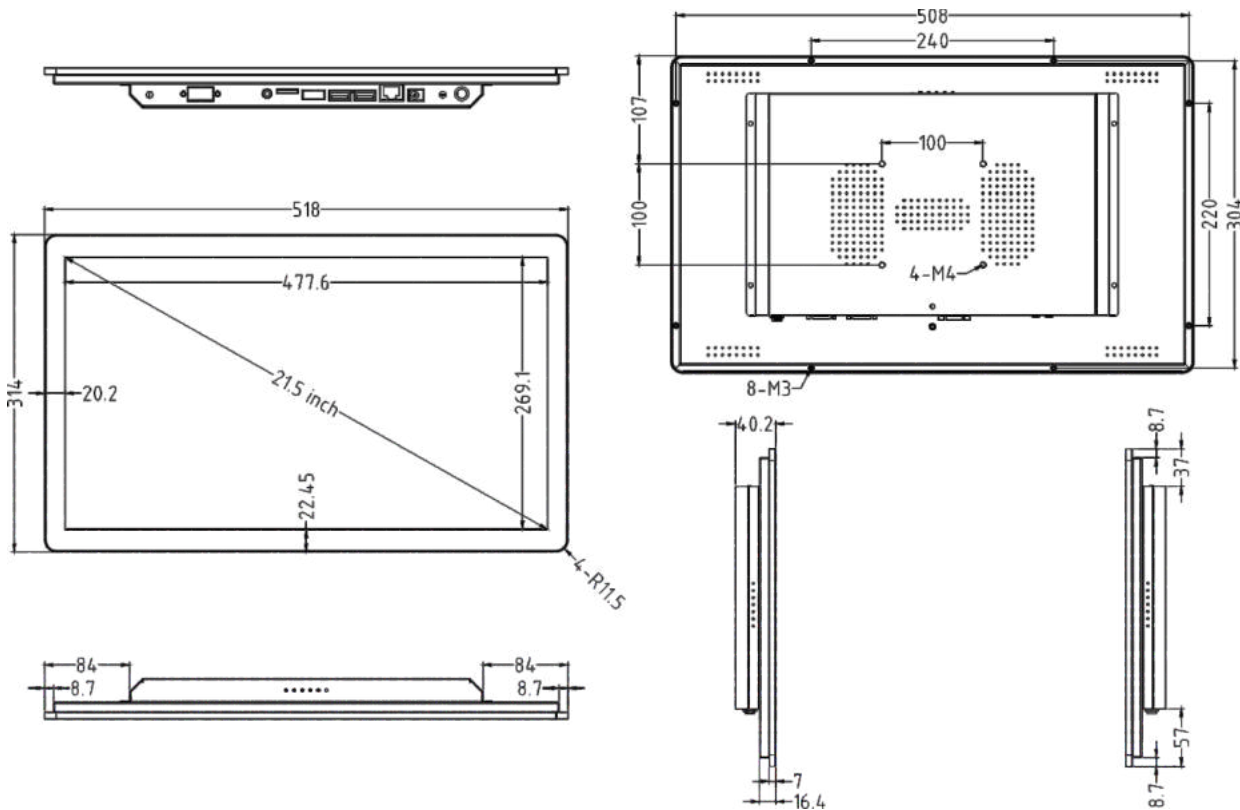


Multiple I/O

HDMI/USB/LAN/COM

Sheet metal Chassis

corrosion and oxidation resistance



PC System

CPU	Rockchip RK3568	Rockchip RK3288	Rockchip RK3399
Graphic GPU	ARM G52 2EE	Mali-T764	PowerVR G6110
Audio	-	-	-
Memory	2G (4G optional)	2G (4G optional)	2G (4G optional)
Storage	16G/32G eMMC	16G/32G eMMC	16G/32G eMMC
Network	10/100M RJ45, 802.11a/b/g/n Wifi	10/100M RJ45, 802.11a/b/g/n Wifi	10/100M RJ45, 802.11a/b/g/n Wifi
Pre-installed	Android 11	Android 9	Android 9

LCD Panel

IP Rating	IP65 Front
Screen diagonal	21.5inch
Display active screen size	477.6 (W)*269.1 (H)
Aspect ratio	16:9
Physical resolution	1920*1080
Colours displayed	16.7M
Brightness (cd/m2)	250
Contrast	1000:1
Visual Angle H/V (°)	175/175
Backlight Lifetime (hours)	LED / 30,000

Power

Power Supply	100-240V AC;
Working Power (V)	12
Power Consumption (W)	<36
Stand-By Consumption (W)	<1

Internal Connectors

USB2.0 (In-board pins)	x 3	Pin for Headphone	x1
DB9 (TTL)	X3	Pin for 12V power	x1
Pin for Mic	x1	Pin for Speaker(3W/4Ω)	x1
Pin for Remote	x1	Pin for GPIO	x1
Pin for Button	x1	Sim Card slot	optional

External Connectors

12v DC IN	x1	HDMI out	x1
OTG USB	x1	USB	X1 +
RJ45 Ports	x1	Tf card slot	x1
Headphone	x1	DB9 (TTL)	optional

Operation

Operating Temperature (°C)	0°C-50°C
Humidity Range (RH)	0% - 90%
Net weight (kg)	4.9kg
Gross weight (kg)	7.1kg
Housing material	Sheet Metal
Housing (mm) L × W × H	518*314*40.2
Mounting	100*100

Touch Panel

Touch Technology	Projected Capacitive
Touch Connector	USB
Surface Hardness	6

Included in the Delivery

Manual	x1	Power Supply	x1
Wall mount bracket	x1	WIFI antenna	X1

Installation



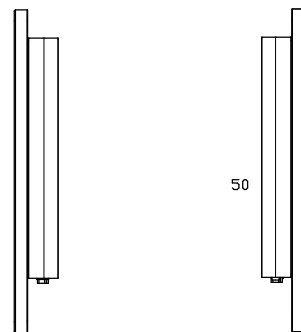
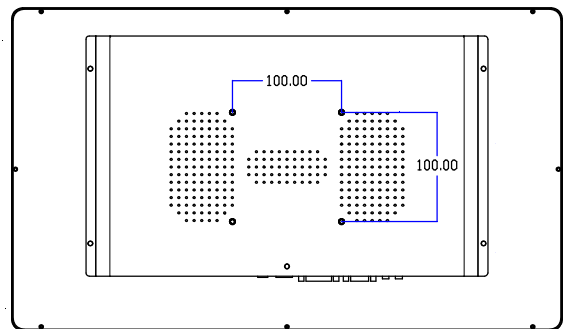
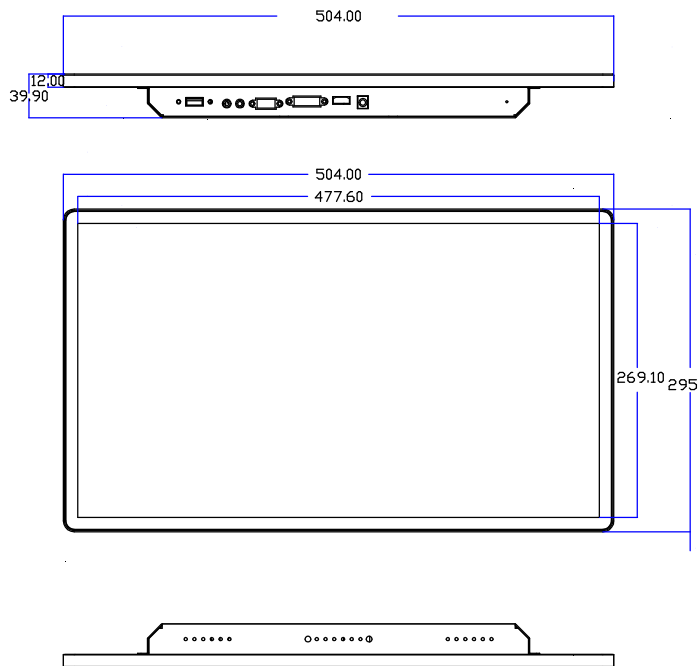
21.5" Touchscreen for Android

HD215



FHD display
pure and natural color

Industrial Touch Panel
Self-developed TP- ilitek&EETI



Android

CPU	Rockchip RK3568	Rockchip RK3399
Graphic GPU	ARM G52 2EE	PowerVR G6110
Audio	-	-
Memory	2GB (4GB optional)	2G (4G optional)
Storage	16G/32G eMMC	16G/32G eMMC
Network	10/100M RJ45, 802.11a/b/g/n Wifi	10/100M RJ45, 802.11a/b/g/n Wifi
Pre-installed OS	Android 11	Android 9

LCD Panel

IP Rating	IP65 Front
Screen diagonal	21.5inch
Active screen size (mm)	477.6(W)*269.1(H)
Aspect ratio	16:9
Physical resolution	1920*1080
Colours displayed	16.7M
Brightness (cd/m2)	300
Contrast	1000:1
Visual Angle H/V (°)	175/175
Backlight Lifetime (hours)	LED 30,000

Operation

Operating Temperature (°C)	-10°C-60°C
Humidity Range (RH)	0% - 90%
Net weight (kg)	4.86kg
Gross weight (kg)	6.78kg
Housing material	Sheet Metal
Housing (mm) L × W × H	504*295.5*39.9
Mounting	100*100

Touch Panel

Touch Technology	Projected Capacitive 10-Point Multitouch
Touch Connector	USB
Surface Hardness	7

Power

	Android Spec
Power Supply	DC 12v
Power Consumption (W)	<36
Stand-By Consumption (W)	<1

External Connectors For Android

Power Jack	x1	HDMI Out	x1
TF card slot	x1	Audio Jack	x1
RJ45 Ports	x1	COM TTL	X1
USB 2.0	X2		

Included in the Delivery

Manual&Remote Controller	x1	Power Supply cable	x1
Wall mount bracket	x1	WIFI antenna	X1

Installation



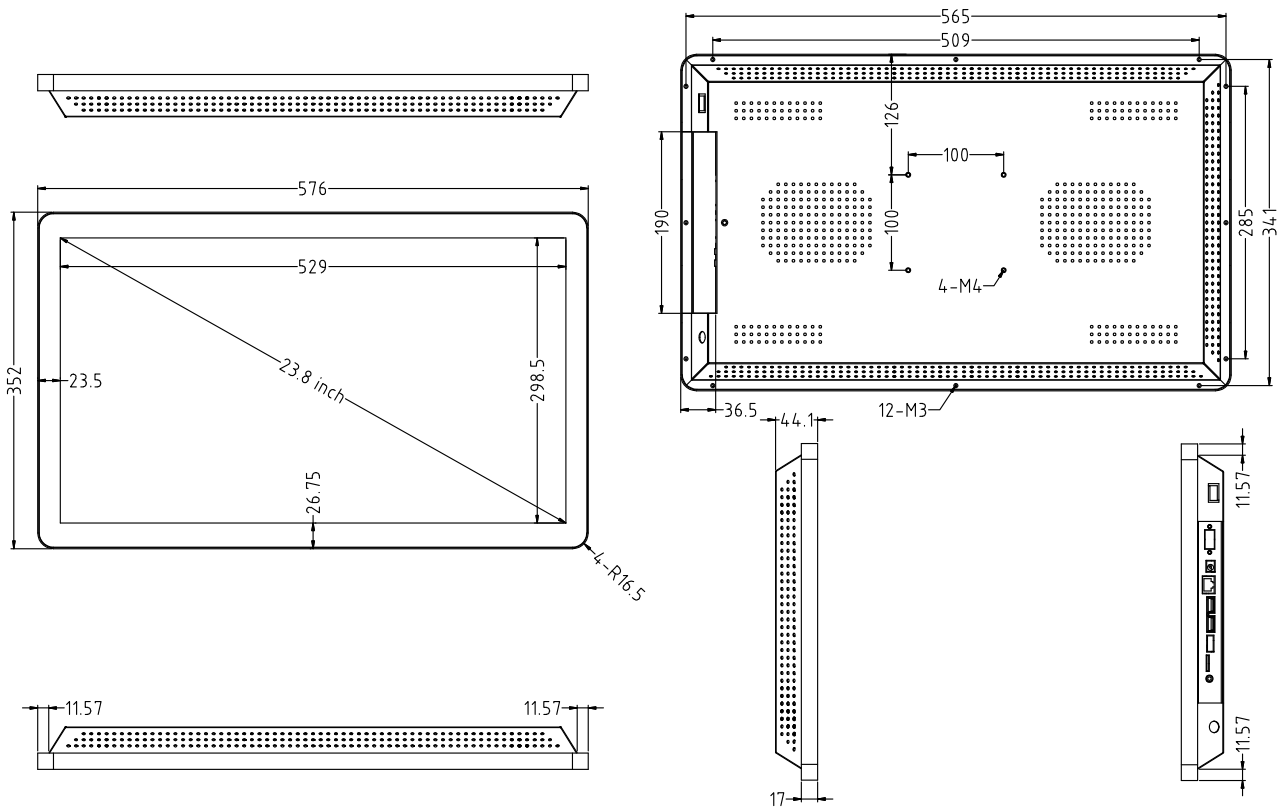
23.8" Touchscreen for Android

TD238



Multiple I/O
HDMI/USB/LAN/COM

Sheet metal Chassis
corrosion and oxidation resistance



PC System

CPU	Rockchip RK3568	Rockchip RK3288	Rockchip RK3399
Graphic GPU	ARM G52 2EE	Mali-T764	PowerVR G6110
Audio	-	-	-
Memory	2G (4G optional)	2G (4G optional)	2G (4G optional)
Storage	16G/32G eMMC	16G/32G eMMC	16G/32G eMMC
Network	10/100M RJ45, 802.11a/b/g/n Wifi	10/100M RJ45, 802.11a/b/g/n Wifi	10/100M RJ45, 802.11a/b/g/n Wifi
Pre-installed	Android 11	Android 9	Android 9

LCD Panel

IP Rating	IP65 Front
Screen diagonal	23.8inch
Display active screen size	529(W)*298.5 (H)
Aspect ratio	16:9
Physical resolution	1920*1080
Colours displayed	16.7M
Brightness (cd/m2)	250
Contrast	1000:1
Visual Angle H/V (°)	175/175
Backlight Lifetime (hours)	LED / 30,000

Operation

Operating Temperature (°C)	0°C-50°C
Humidity Range (RH)	0% - 90%
Net weight (kg)	7.98kg
Gross weight (kg)	10.2kg
Housing material	Sheet Metal
Housing (mm) L × W × H	576*352*44.1
Mounting	100*100

Power

Power Supply	100-240V AC;
Working Power (V)	12
Power Consumption (W)	<36
Stand-By Consumption (W)	<1

Touch Panel

Touch Technology	Projected Capacitive
Touch Connector	USB
Surface Hardness	6

Internal Connectors

USB2.0 (In-board pins)	x 3	Pin for Headphone	x1
DB9 (TTL)	X3	Pin for 12V power	x1
Pin for Mic	x1	Pin for Speaker(3W/4Ω)	x1
Pin for Remote	x1	Pin for GPIO	x1
Pin for Button	x1	Sim Card slot	optional

External Connectors

12v DC IN	x1	HDMI out	x1
OTG USB	x1	USB	X1 +
RJ45 Ports	x1	Tf card slot	x1
Headphone	x1	DB9 (TTL)	optional

Included in the Delivery

Manual	x1	Power Supply	x1
Wall mount bracket	x1	WIFI antenna	X1

Installation



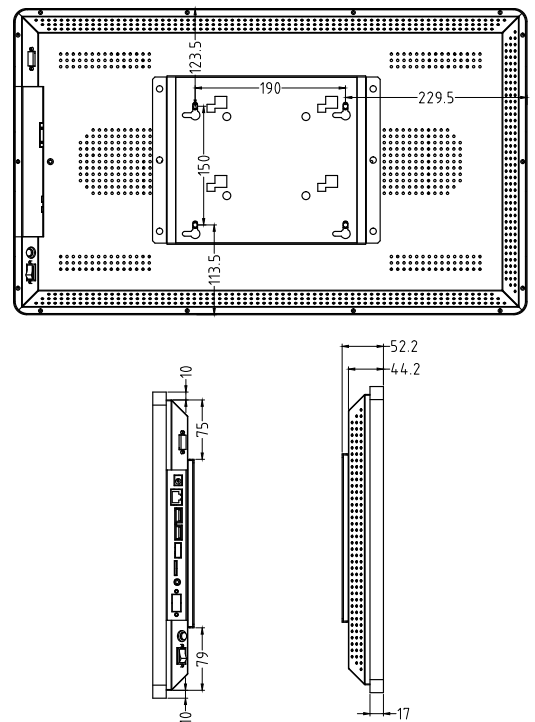
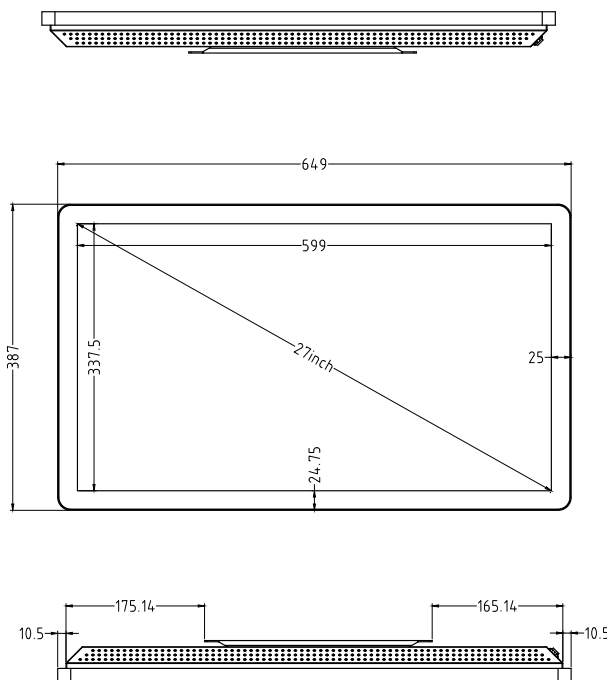
27" Touchscreen for Android

TD27



Multiple I/O
HDMI/USB/LAN/COM

Sheet metal Chassis
corrosion and oxidation resistance



PC System

CPU	Rockchip RK3568	Rockchip RK3288	Rockchip RK3399
Graphic GPU	ARM G52 2EE	Mali-T764	PowerVR G6110
Audio	-	-	-
Memory	2G (4G optional)	2G (4G optional)	2G (4G optional)
Storage	16G/32G eMMC	16G/32G eMMC	16G/32G eMMC
Network	10/100M RJ45, 802.11a/b/g/n Wifi	10/100M RJ45, 802.11a/b/g/n Wifi	10/100M RJ45, 802.11a/b/g/n Wifi
Pre-installed	Android 11	Android 9	Android 9

LCD Panel

IP Rating	IP65 Front
Screen diagonal	27inch
Display active screen size	599(W)*337.5 (H)
Aspect ratio	16:9
Physical resolution	1920*1080
Colours displayed	16.7M
Brightness (cd/m2)	250
Contrast	1000:1
Visual Angle H/V (°)	175/175
Backlight Lifetime (hours)	LED / 30,000

Power

Power Supply	100-240V AC;
Working Power (V)	12
Power Consumption (W)	<45
Stand-By Consumption (W)	<1

Internal Connectors

USB2.0 (In-board pins)	x 3	Pin for Headphone	x1
DB9 (TTL)	X3	Pin for 12V power	x1
Pin for Mic	x1	Pin for Speaker(3W/4Ω)	x1
Pin for Remote	x1	Pin for GPIO	x1
Pin for Button	x1	Sim Card slot	optional

External Connectors

12v DC IN	x1	HDMI out	x1
OTG USB	x1	USB	X1 +
RJ45 Ports	x1	Tf card slot	x1
Headphone	x1	DB9 (TTL)	optional

Operation

Operating Temperature (°C)	0°C-50°C
Humidity Range (RH)	0% - 90%
Net weight (kg)	9.7kg
Gross weight (kg)	15.6kg
Housing material	Sheet Metal
Housing (mm) L × W × H	648*387*44.2
Mounting	100*100

Touch Panel

Touch Technology	Projected Capacitive
Touch Connector	USB
Surface Hardness	6

Included in the Delivery

Manual	x1	Power Supply	x1
Wall mount bracket	x1	WIFI antenna	X1

Installation



Android

CPU	Rockchip RK3568	MSD8386
Graphic GPU	ARM G52 2EE	4k display support
Audio	-	-
Memory	2GB (4GB optional)	2GB
Storage	16G/32G eMMC	16GB eMMC
Network	10/100M RJ45, 802.11a/b/g/n Wifi	10/100M RJ45, 802.11a/b/g/n Wifi
Pre-installed OS	Android 11	Android 7.1

LCD Panel

IP Rating	IP65 Front
Screen diagonal	32inch
Display active screen size	700.2(W)*395(H)mm
Aspect ratio	16:9
Physical resolution	1920*1080
Colours displayed	16.7M
Brightness (cd/m2)	300-350
Contrast	1000:1
Visual Angle H/V (°)	175/175
Backlight Lifetime (hours)	LED 30,000

Operation

Operating Temperature (°C)	-10°C-60°C
Humidity Range (RH)	0% - 90%
Net weight (kg)	11.3kg
Gross weight (kg)	15.7kg
Housing material	Sheet Metal
Housing (mm) L × W × H	741.4*436.2*47.4
Mounting	200*200

Touch Panel

Touch Technology	Projected Capacitive 10-Point Multitouch
Touch Connector	USB
Surface Hardness	7

Power

	Android Spec
Power Supply	110-240V AC 50/60Hz
Power Consumption (W)	<115
Stand-By Consumption (W)	<1

External Connectors For Android

Power Jack	x1	HDMI Out	x1
TF card slot	x1	Audio Jack	x1
RJ45 Ports	x1	COM TTL	X1
USB 2.0	X2		

Included in the Delivery

Manual&Remote Controller	x1	Power Supply cable	x1
Wall mount bracket	x1	WIFI antenna	X1

Installation



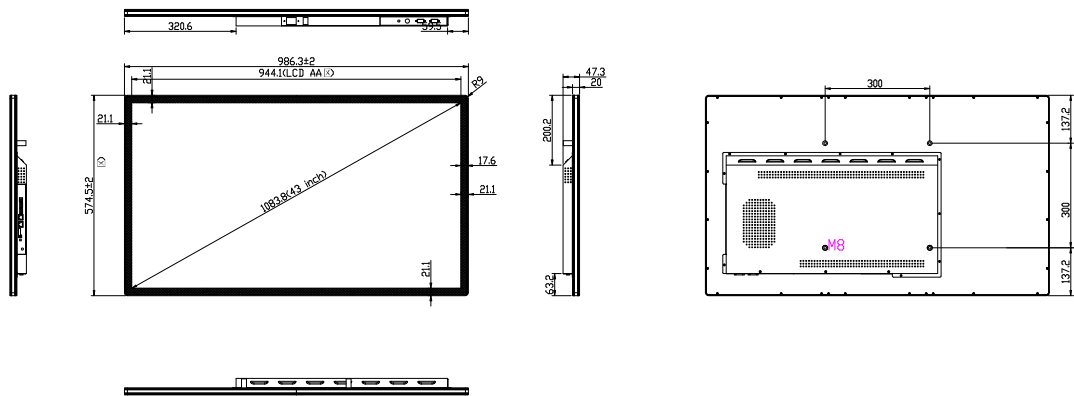
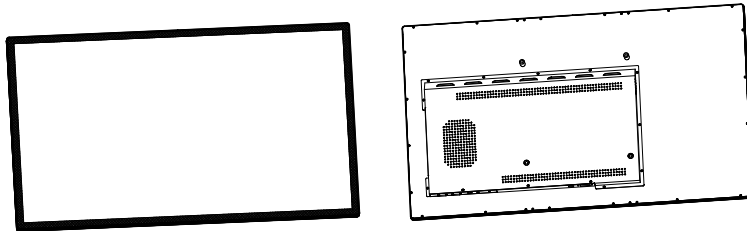
43" Touchscreen for Android

HD43



FHD display
pure and natural color

Industrial Touch Panel
Self-developed TP- ilitek&EETI



Android

CPU	Rockchip RK3568	MSD8386
Graphic GPU	ARM G52 2EE	4k display support
Audio	-	-
Memory	2GB (4GB optional)	2GB
Storage	16G/32G eMMC	16GB eMMC
Network	10/100M RJ45, 802.11a/b/g/n Wifi	10/100M RJ45, 802.11a/b/g/n Wifi
Pre-installed OS	Android 11	Android 7.1

LCD Panel

IP Rating	IP65 Front
Screen diagonal	43inch
Display active screen size	944.1(W)*532.3(H)
Aspect ratio	16:9
Physical resolution	1920*1080
Colours displayed	16.7M
Brightness (cd/m2)	300-350
Contrast	1000:1
Visual Angle H/V (°)	175/175
Backlight Lifetime (hours)	LED 30,000

Operation

Operating Temperature (°C)	0°C-50°C
Humidity Range (RH)	10% - 90%
Net weight (kg)	17.6kg
Gross weight (kg)	22kg
Housing material	Sheet Metal
Housing (mm) L × W × H	986.3*574.5*47.3
Mounting	300*300

Touch Panel

Touch Technology	Projected Capacitive 10-Point Multitouch
Touch Connector	USB
Surface Hardness	7

Power

	Android Spec
Power Supply	110-240V AC 50/60Hz
Power Consumption (W)	<115
Stand-By Consumption (W)	<1

External Connectors For Android

Power Jack	x1	HDMI Out	x1
TF card slot	x1	Audio Jack	x1
RJ45 Ports	x1	COM TTL	X1
USB 2.0	X2		

Included in the Delivery

Manual&Remote Controller	x1	Power Supply cable	x1
Wall mount bracket	x1	WIFI antenna	X1

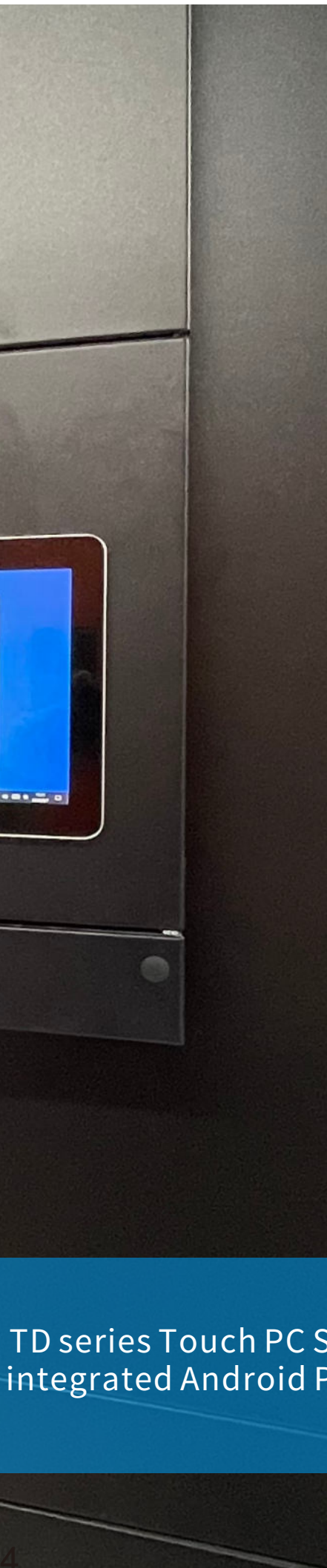
Installation





PC

Touch



Fantastic build quality.

Fantastic build quality rarely found in multiple touchscreen sizes, It is a series of robust android tablet with toughened glass touchscreen and metal shell for long lasting durability in public spaces.

VESA fixings

VESA fixings on the rear allow for easy wall or desk mounting, with compatibility with a wide range of wall mounts and desk mount accessories.

Multiple options of Spec.

From entry spec J1900 to highend core i3/i5/i7, TD touch pc could adapt multiple options of CPU to match your budget on the project.

TD series Touch PC Space saving all in one design with choice of integrated Android PC to suit most price budgets.

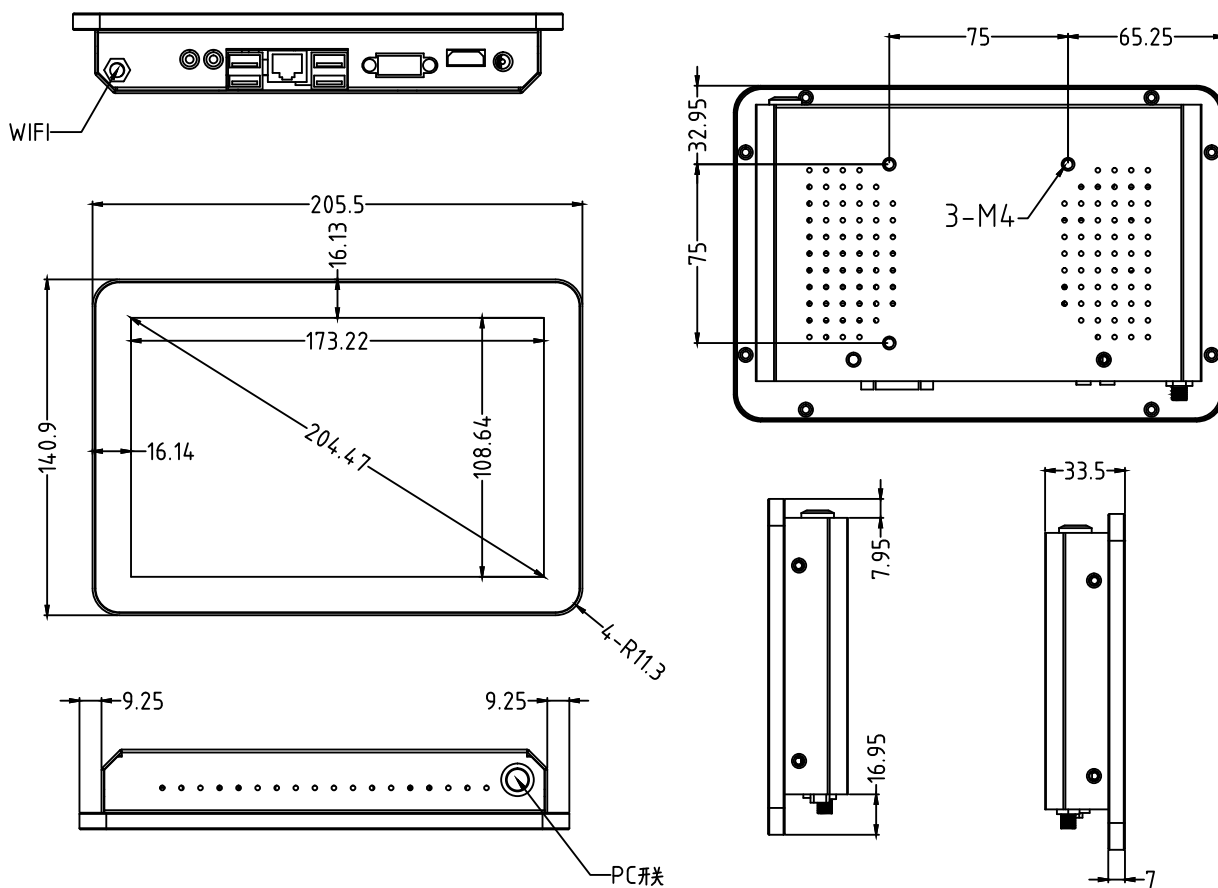
8" Touch PC

TD080W



Multiple I/O
HDMI/USB/LAN/COM

Full Aluminum Chassis
corrosion and oxidation resistance



X86 system

CPU	Intel® Celeron® Processor N5095	Intel core i5 optional
Graphic GPU	Intel® UHD Graphics	Intel® UHD Graphics
Audio	HD Audio	HD Audio
Memory	Netac-DDR4-2666MHz-SODIMM-8G	8G Optional
Storage	Foresee mSATA-128GB	32GB/64GB/256GB/512GB
Network	WIFI-NE238H-2.4G	Wifi 5G/BLE 5.1 optional
Pre-installed OS	Windows 10 Enterprise 2019 LTSC	Windows 10 Enterprise 2019 LTSC

LCD Panel

IP Rating	IP65 Front
Screen diagonal	8inch
Display active screen size	173(W)*108.6(H)
Aspect ratio	16:9
Physical resolution	1280*800
Colours displayed	16.7M
Brightness (cd/m2)	250
Contrast	1000:1
Visual Angle H/V (°)	175/175
Backlight Lifetime (hours)	LED / 30,000

Operation

Operating Temperature (°C)	0°C-50°C
Humidity Range (RH)	0% - 90%
Net weight (kg)	0.95kg
Gross weight (kg)	1.95kg
Housing material	Sheet Metal
Housing (mm) L × W × H	140.9*205.5*28
Mounting	75*75

Touch Panel

Touch Technology	Projected Capacitive 10-Point Multitouch
Touch Connector	USB
Surface Hardness	6H

Power

	PC Spec
Power Supply	DC 12v
Power Consumption (W)	<36
Stand-By Consumption (W)	<1

External Connectors For PC

Power Jack	x1	HDMI Out	x1
COM	x1	USB 3.0	X1
RJ45 Ports	x1	Audio I/O	x1
USB 2.0	X3	COM optional	X2

Included in the Delivery

Manual&Remote Controller	x1	Power Supply cable	x1
Wall mount bracket	x1	WIFI antenna	X1

Installation



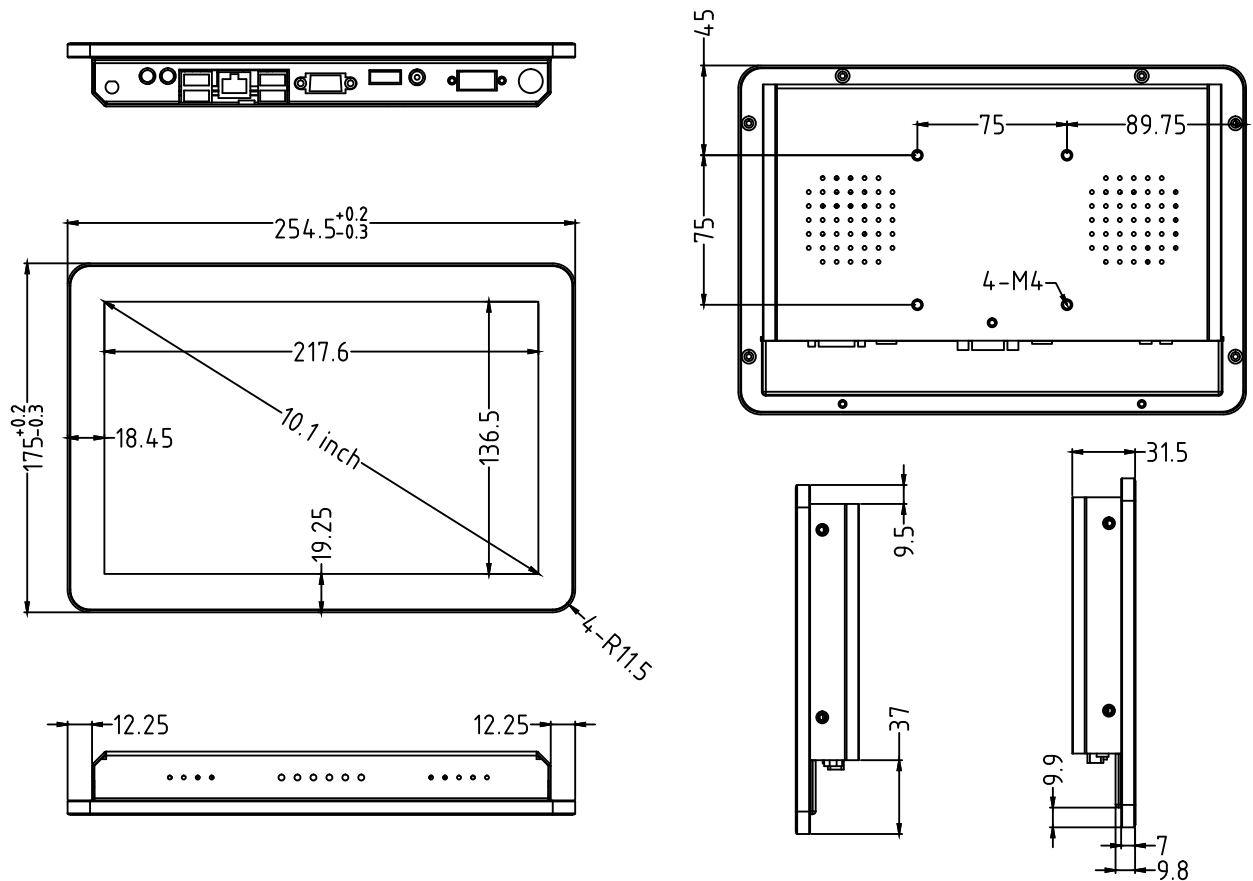
10.1" Touch PC

TD101



Multiple I/O
HDMI/USB/LAN/COM

Full Aluminum Chassis
corrosion and oxidation resistance



X86 system

CPU	Intel® Celeron® Processor N5095	Intel core i5 optional
Graphic GPU	Intel® UHD Graphics	Intel® UHD Graphics
Audio	HD Audio	HD Audio
Memory	Netac-DDR4-2666MHz-SODIMM-8G	8G Optional
Storage	Foresee mSATA-128GB	32GB/64GB/256GB/512GB
Network	WIFI-NE238H-2.4G	Wifi 5G/BLE 5.1 optional
Pre-installed OS	Windows 10 Enterprise 2019 LTSC	Windows 10 Enterprise 2019 LTSC

LCD Panel

IP Rating	IP65 Front
Screen diagonal	10.1inch
Display active screen size	218(W)*136.5(H)
Aspect ratio	16:9
Physical resolution	1280*800
Colours displayed	16.7M
Brightness (cd/m2)	250
Contrast	1000:1
Visual Angle H/V (°)	175/175
Backlight Lifetime (hours)	LED / 30,000

Operation

Operating Temperature (°C)	0°C-50°C
Humidity Range (RH)	0% - 90%
Net weight (kg)	0.9kg
Gross weight (kg)	2.1kg
Housing material	Aluminum
Housing (mm) L × W × H	255*175.5*31.5
Mounting	75*75

Touch Panel

Touch Technology	Projected Capacitive 10-Point Multitouch
Touch Connector	USB
Surface Hardness	6H

Power

	PC Spec
Power Supply	DC 12v
Power Consumption (W)	<36
Stand-By Consumption (W)	<1

External Connectors For PC

Power Jack	x1	HDMI Out	x1
COM	x1	USB 3.0	X1
RJ45 Ports	x1	Audio I/O	x1
USB 2.0	X3	COM optional	X2

Included in the Delivery

Manual&Remote Controller	x1	Power Supply cable	x1
Wall mount bracket	x1	WIFI antenna	X1

Installation



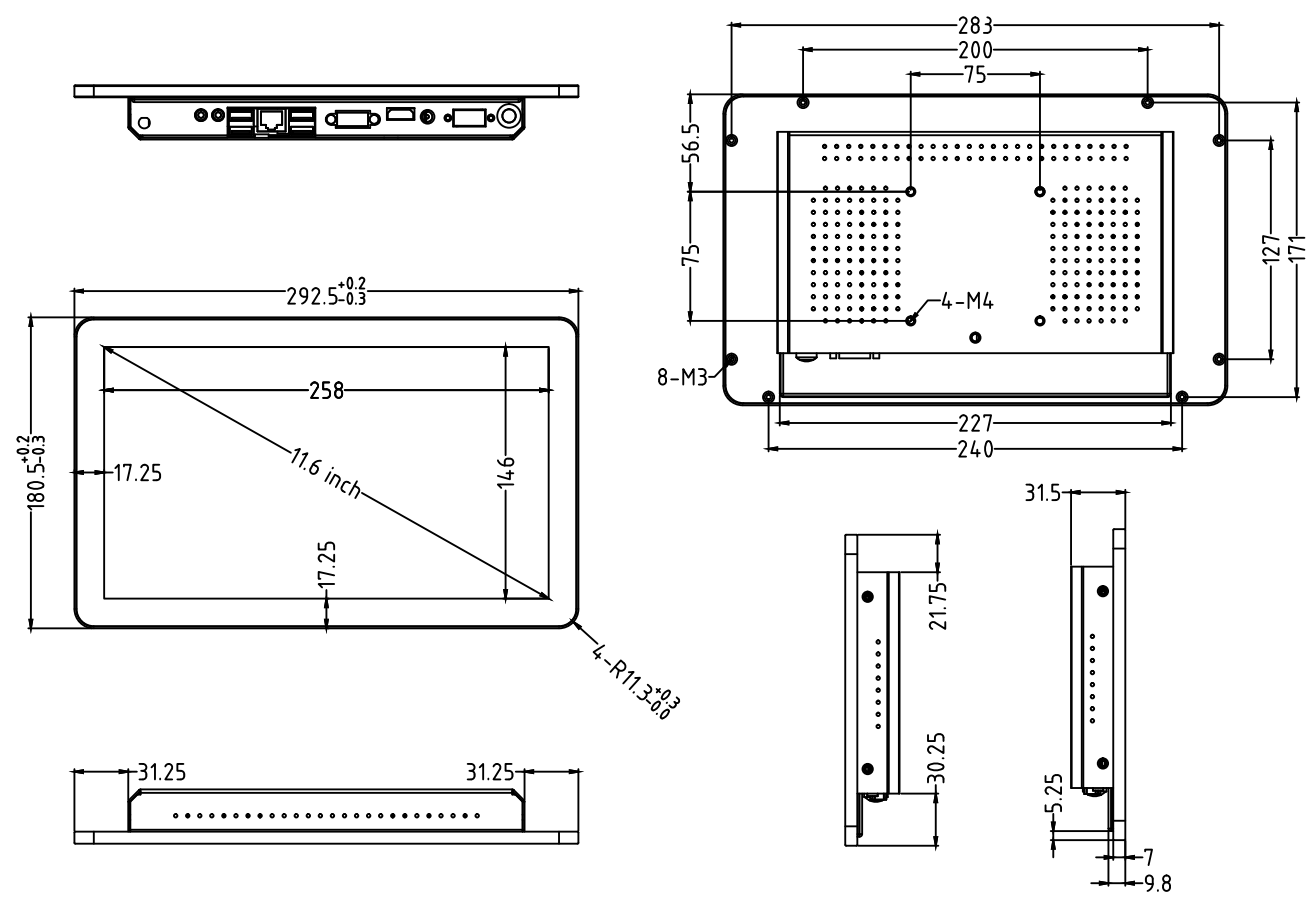
11.6" Capacitive Touch PC

TD116D



1920*1080 FHD display
pure and natural color

Full Aluminum Chassis
corrosion and oxidation resistance



PC System

CPU	Intel Celeron® Jasperlake N5105	Intel core i5 optional
Graphic GPU	Intel® UHD Graphics	Intel® UHD Graphics
Audio	HD Audio: ALC897+ Colay ; AD52080	HD Audio
Memory	Netac-DDR4-2666MHz-SODIMM-4G	8G Optional
Storage	Foresee mSATA-128GB	32GB/64GB/256GB/512GB
Network	WIFI-NE238H-2.4G	Wifi 5G/BLE 5.1 optional
Pre-installed OS	Windows 10 Enterprise 2019 LTSC	Windows 10 Enterprise 2019 LTSC

LCD Panel

IP Rating	IP65 Front
Screen diagonal	11.6inch
Display active screen size (mm)	258(W)*146(H)mm
Aspect ratio	16:9
Physical resolution	1920*1080
Colours displayed	16.7M
Brightness (cd/m2)	250
Contrast	1000:1
Visual Angle H/V (°)	175/175
Backlight Lifetime (hours)	LED / 30,000

Power

Power Supply	100-240V AC;
Working Power (V)	12
Power Consumption (W)	<36
Stand-By Consumption (W)	<1

Internal Connectors

USB2.0 (In-board pins)	x 6	RS232 (In-board pins)	x1
DB9 (RS232/485Optional)	x1	SATA HDD/SSD slot	x1
MSATA SSD	x1	Pin for Speaker(3W/4Ω)	x1
DDR4 SO-DIMM(8GB)	x1	M.2 2230 slot for Wifi&BLE	x1

External Connectors

12v DC IN	x1	HDMI	x1
COM RS232	x1	USB 3.0	X1
RJ45 Ports	x1	F_Mic	x1
F_OUT	x1	USB 2.0	X3

Operation

Operating Temperature (°C)	0°C-50°C
Humidity Range (RH)	0% - 90%
Net weight (kg)	1.19kg
Gross weight (kg)	2.34kg
Housing material	Aluminum
Housing (mm) L × W × H	293*181*31.5
Mounting	75*75

Touch Panel

Touch Technology	Projected Capacitive
Touch Connector	USB
Surface Hardness	6

Included in the Delivery

Manual	x1	Power Supply	x1
Wall mount bracket	x1	WIFI antenna	X1

Installation



PC System

CPU	Intel Celeron® Jasperlake N5105	Intel core i5 optional
Graphic GPU	Intel® UHD Graphics	Intel® UHD Graphics
Audio	HD Audio: ALC897+ Colay ; AD52080	HD Audio
Memory	Netac-DDR4-2666MHz-SODIMM-4G	8G Optional
Storage	Foresee mSATA-128GB	32GB/64GB/256GB/512GB
Network	WIFI-NE238H-2.4G	Wifi 5G/BLE 5.1 optional
Pre-installed OS	Windows 10 Enterprise 2019 LTSC	Windows 10 Enterprise 2019 LTSC

LCD Panel

IP Rating	IP65 Front
Screen diagonal	13.3inch
Display active screen size (mm)	293.4 (W)*165 (H)
Aspect ratio	16:9
Physical resolution	1920*1080
Colours displayed	16.7M
Brightness (cd/m2)	250
Contrast	1000:1
Visual Angle H/V (°)	175/175
Backlight Lifetime (hours)	LED / 30,000

Operation

Operating Temperature (°C)	0°C-50°C
Humidity Range (RH)	0% - 90%
Net weight (kg)	1.2kg
Gross weight (kg)	2.5kg
Housing material	Aluminum
Housing (mm) L × W × H	336*214*31
Mounting	75*75

Power

Power Supply	100-240V AC;
Working Power (V)	12
Power Consumption (W)	<36
Stand-By Consumption (W)	<1

Touch Panel

Touch Technology	Projected Capacitive
Touch Connector	USB
Surface Hardness	6

Internal Connectors

USB2.0 (In-board pins)	x 6	RS232 (In-board pins)	x1
DB9 (RS232/485Optional)	x1	SATA HDD/SSD slot	x1
MSATA SSD	x1	Pin for Speaker(3W/4Ω)	x1
DDR4 SO-DIMM(8GB)	x1	M.2 2230 slot for Wifi&BLE	x1

External Connectors

12v DC IN	x1	HDMI	x1
COM RS232	x1	USB 3.0	X1
RJ45 Ports	x1	F_Mic	x1
F_OUT	x1	USB 2.0	X3

Included in the Delivery

Manual	x1	Power Supply	x1
Wall mount bracket	x1	WIFI antenna	X1

Installation



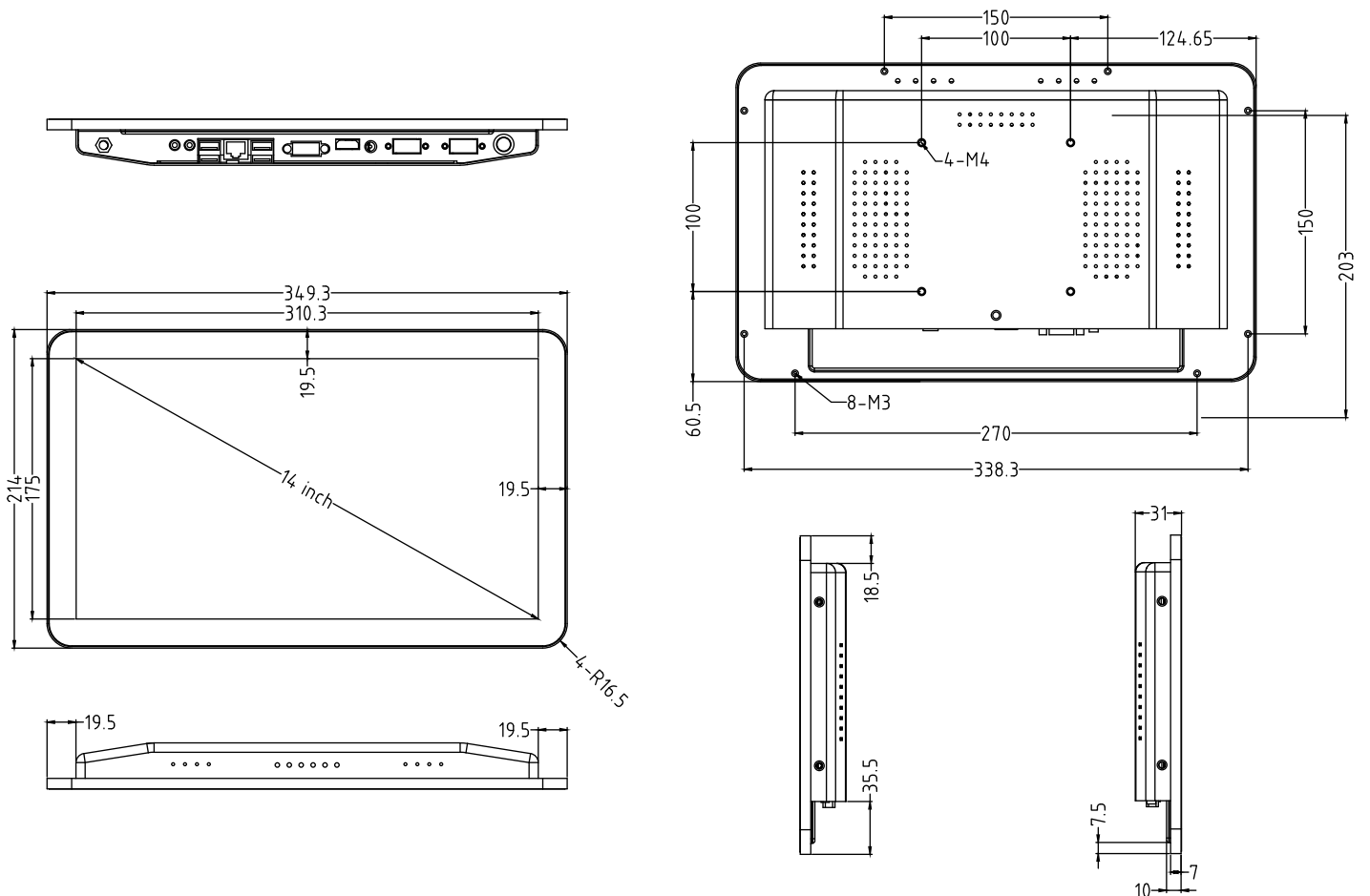
14" Capacitive Touch PC

TD14D



1920*1080 FHD display
pure and natural color

Full Aluminum Chassis
corrosion and oxidation resistance



PC System

CPU	Intel Celeron® Jasperlake N5105	Intel core i5 optional
Graphic GPU	Intel® UHD Graphics	Intel® UHD Graphics
Audio	HD Audio: ALC897+ Colay ; AD52080	HD Audio
Memory	Netac-DDR4-2666MHz-SODIMM-4G	8G Optional
Storage	Foresee mSATA-128GB	32GB/64GB/256GB/512GB
Network	WIFI-NE238H-2.4G	Wifi 5G/BLE 5.1 optional
Pre-installed OS	Windows 10 Enterprise 2019 LTSC	Windows 10 Enterprise 2019 LTSC

LCD Panel

IP Rating	IP65 Front
Screen diagonal	14inch
Display active screen size (mm)	310.3 (W)*175 (H)
Aspect ratio	16:9
Physical resolution	1920*1080
Colours displayed	16.7M
Brightness (cd/m2)	250
Contrast	1000:1
Visual Angle H/V (°)	175/175
Backlight Lifetime (hours)	LED / 30,000

Operation

Operating Temperature (°C)	0°C-50°C
Humidity Range (RH)	0% - 90%
Net weight (kg)	1.23kg
Gross weight (kg)	2.34kg
Housing material	Aluminum
Housing (mm) L × W × H	349.3*214*31
Mounting	100*100

Power

Power Supply	100-240V AC;
Working Power (V)	12
Power Consumption (W)	<36
Stand-By Consumption (W)	<1

Touch Panel

Touch Technology	Projected Capacitive
Touch Connector	USB
Surface Hardness	6

Internal Connectors

USB2.0 (In-board pins)	x 6	RS232 (In-board pins)	x1
DB9 (RS232/485Optional)	x1	SATA HDD/SSD slot	x1
MSATA SSD	x1	Pin for Speaker(3W/4Ω)	x1
DDR4 SO-DIMM(8GB)	x1	M.2 2230 slot for Wifi&BLE	x1

External Connectors

12v DC IN	x1	HDMI	x1
COM RS232	x1	USB 3.0	X1
RJ45 Ports	x1	F_Mic	x1
F_OUT	x1	USB 2.0	X3

Included in the Delivery

Manual	x1	Power Supply	x1
Wall mount bracket	x1	WIFI antenna	X1

Installation



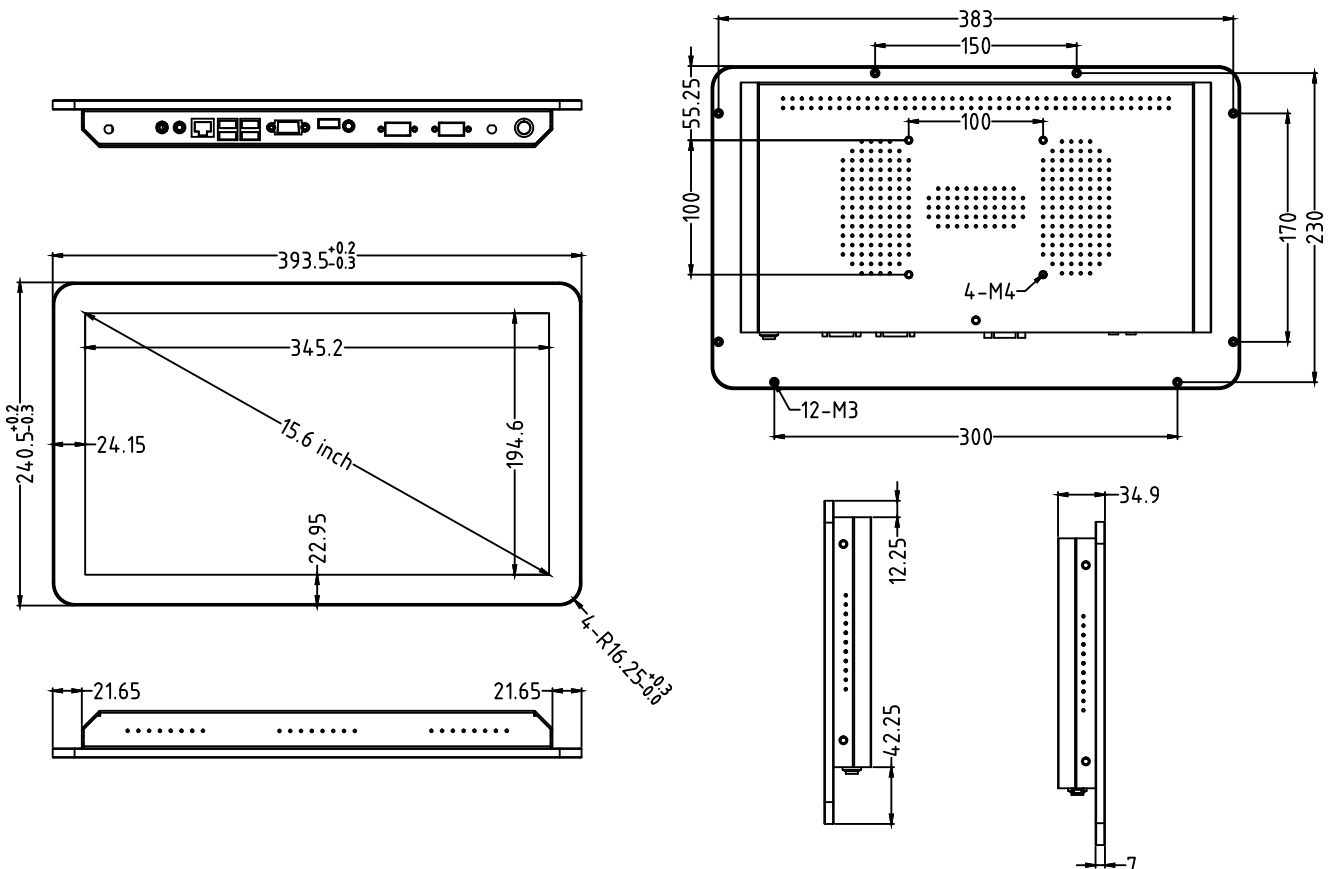
15.6" Capacitive Touch PC

TD156C



7mm Ultra Thin Frame
Unique and Sleek

Full Aluminum Chassis
corrosion and oxidation resistance



PC System

CPU	Intel Celeron® Jasperlake N5105	Intel core i5 optional
Graphic GPU	Intel® UHD Graphics	Intel® UHD Graphics
Audio	HD Audio: ALC897+ Colay ; AD52080	HD Audio
Memory	Netac-DDR4-2666MHz-SODIMM-4G	8G Optional
Storage	Foresee mSATA-128GB	32GB/64GB/256GB/512GB
Network	WIFI-NE238H-2.4G	Wifi 5G/BLE 5.1 optional
Pre-installed OS	Windows 10 Enterprise 2019 LTSC	Windows 10 Enterprise 2019 LTSC

LCD Panel

IP Rating	IP65 Front
Screen diagonal	15.6inch
Display active screen size (mm)	345.2 (W)*194.6 (H)
Aspect ratio	16:9
Physical resolution	1920*1080
Colours displayed	16.7M
Brightness (cd/m2)	250
Contrast	1000:1
Visual Angle H/V (°)	175/175
Backlight Lifetime (hours)	LED / 30,000

Operation

Operating Temperature (°C)	0°C-50°C
Humidity Range (RH)	0% - 90%
Net weight (kg)	1.65kg
Gross weight (kg)	3.07kg
Housing material	Aluminum
Housing (mm) L × W × H	394*241*34.9
Mounting	75*75

Power

Power Supply	100-240V AC;
Working Power (V)	12
Power Consumption (W)	<36
Stand-By Consumption (W)	<1

Touch Panel

Touch Technology	Projected Capacitive
Touch Connector	USB
Surface Hardness	6

Internal Connectors

USB2.0 (In-board pins)	x 6	RS232 (In-board pins)	x1
DB9 (RS232/485Optional)	x1	SATA HDD/SSD slot	x1
MSATA SSD	x1	Pin for Speaker(3W/4Ω)	x1
DDR4 SO-DIMM(8GB)	x1	M.2 2230 slot for Wifi&BLE	x1

External Connectors

12v DC IN	x1	HDMI	x1
COM RS232	x1	USB 3.0	X1
RJ45 Ports	x1	F_Mic	x1
F_OUT	x1	USB 2.0	X3

Included in the Delivery

Manual	x1	Power Supply	x1
Wall mount bracket	x1	WIFI antenna	X1

Installation



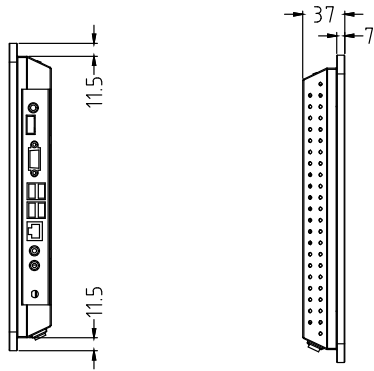
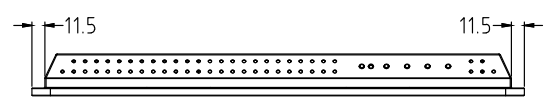
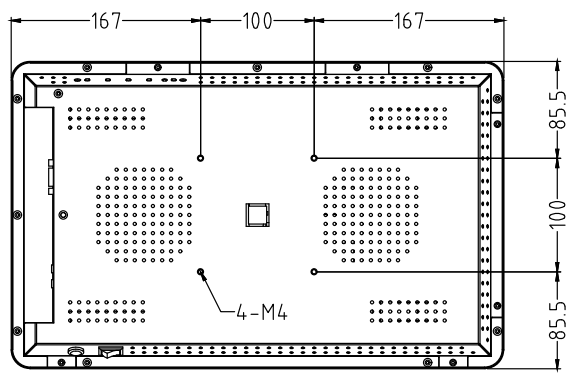
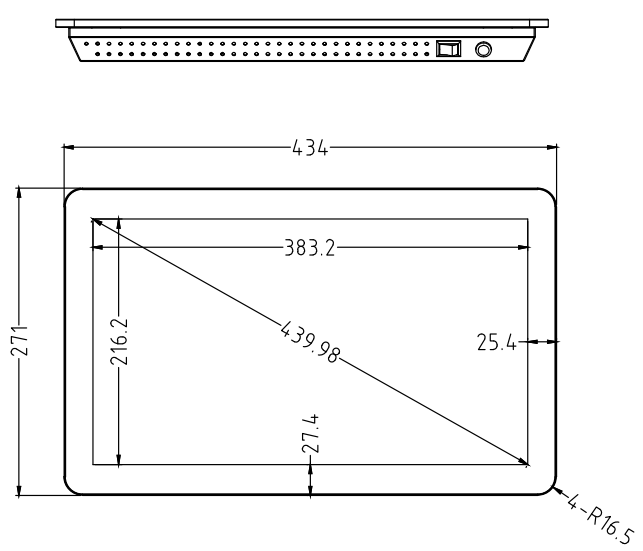
17.3" Capacitive Touch PC

TD173



Multiple I/O
HDMI/USB/LAN/COM

Sheet metal Chassis
corrosion and oxidation resistance



PC System

CPU	Intel® Celeron® Processor J14125	Intel core i3/i5/i7 optional
Graphic GPU	Intel® UHD Graphics	Intel® UHD Graphics
Audio	HD Audio	HD Audio
Memory	Netac-DDR4-2666MHz-SODIMM-8G	8G Optional
Storage	Foresee mSATA-128GB	32GB/64GB/256GB/512GB
Network	WIFI-NE238H-2.4G	Wifi 5G/BLE 5.1 optional
Pre-installed OS	Windows 10 Enterprise 2019 LTSC	Windows 10 Enterprise 2019 LTSC

LCD Panel

IP Rating	IP65 Front
Screen diagonal	17.3inch
Display active screen size (mm)	383.2 (W)*216.2 (H)
Aspect ratio	16:9
Physical resolution	1920*1080
Colours displayed	16.7M
Brightness (cd/m2)	250
Contrast	1000:1
Visual Angle H/V (°)	175/175
Backlight Lifetime (hours)	LED / 30,000

Power

Power Supply	100-240V AC;
Working Power (V)	12
Power Consumption (W)	<36
Stand-By Consumption (W)	<1

Internal Connectors

USB2.0 (In-board pins)	x 6	RS232 (In-board pins)	x1
DB9 (RS232/485Optional)	x1	SATA HDD/SSD slot	x1
MSATA SSD	x1	Pin for Speaker(3W/4Ω)	x1
DDR4 SO-DIMM(8GB)	x1	M.2 2230 slot for Wifi&BLE	x1

External Connectors

12v DC IN	x1	HDMI	x1
COM RS232	x1	USB 3.0	X1
RJ45 Ports	x1	F_Mic	x1
F_OUT	x1	USB 2.0	X3

Operation

Operating Temperature (°C)	0°C-50°C
Humidity Range (RH)	0% - 90%
Net weight (kg)	3.06kg
Gross weight (kg)	5.05kg
Housing material	Aluminum
Housing (mm) L × W × H	434*271*37
Mounting	75*75

Touch Panel

Touch Technology	Projected Capacitive
Touch Connector	USB
Surface Hardness	6

Included in the Delivery

Manual	x1	Power Supply	x1
Wall mount bracket	x1	WIFI antenna	X1

Installation



18.5" Touch PC

TD185C

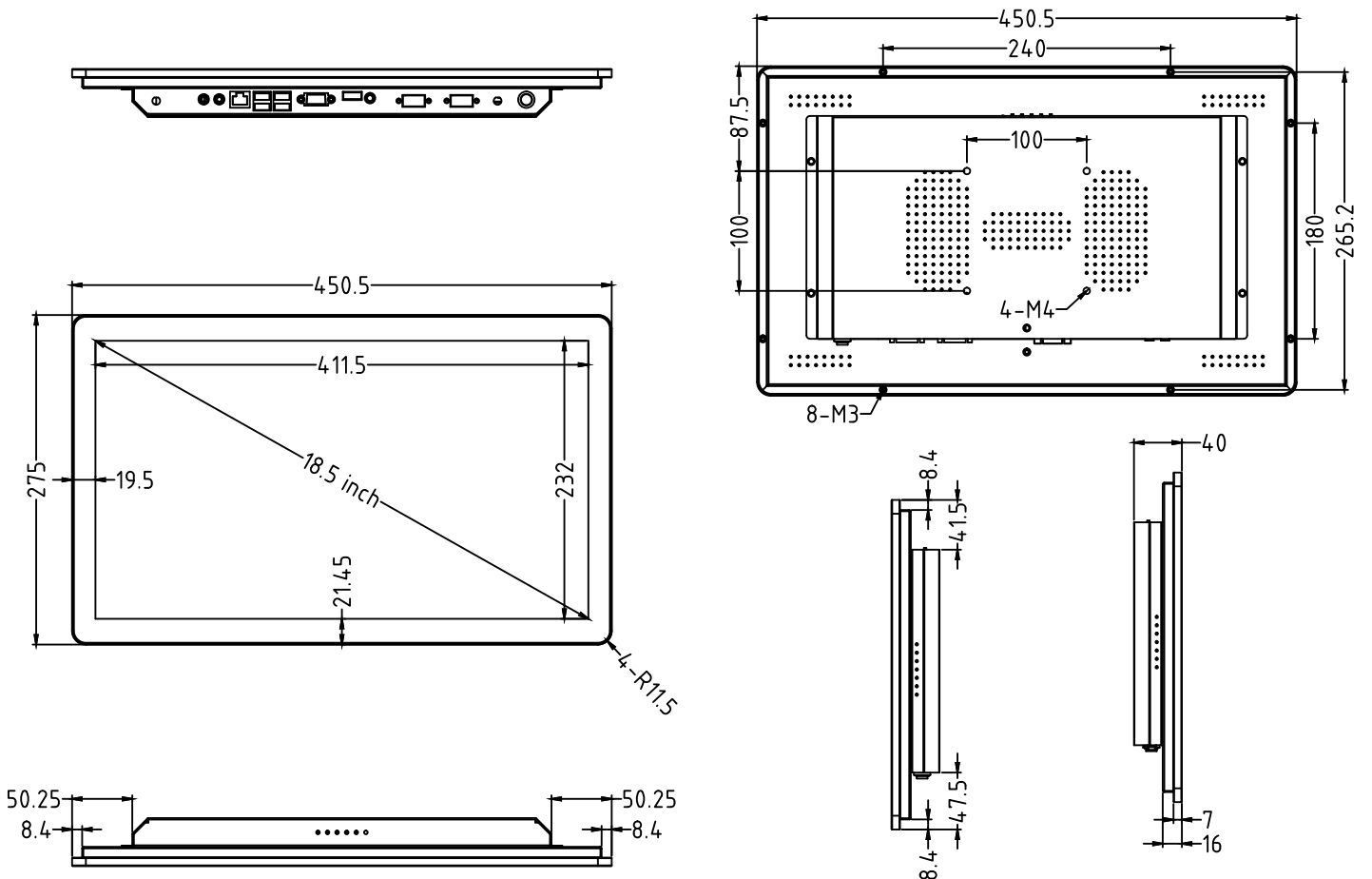


FHD display

pure and natural color

Sheet metal Chassis

corrosion and oxidation resistance



X86 system

CPU	Intel® Celeron® Processor J4125	Intel core i3/i5/i7 optional
Graphic GPU	Intel® UHD Graphics	Intel® UHD Graphics
Audio	HD Audio	HD Audio
Memory	Netac-DDR4-2666MHz-SODIMM-8G	8G Optional
Storage	Foresee mSATA-128GB	32GB/64GB/256GB/512GB
Network	WIFI-NE238H-2.4G	Wifi 5G/BLE 5.1 optional
Pre-installed OS	Windows 10 Enterprise 2019 LTSC	Windows 10 Enterprise 2019 LTSC

LCD Panel

IP Rating	IP65 Front
Screen diagonal	18.5inch
Active screen size (mm)	411.5 (W)*232 (H)
Aspect ratio	16:9
Physical resolution	1366*768/1920*1080
Colours displayed	16.7M
Brightness (cd/m2)	250
Contrast	1000:1
Visual Angle H/V (°)	175/175
Backlight Lifetime (hours)	LED / 30,000

Operation

Operating Temperature (°C)	0°C-50°C
Humidity Range (RH)	0% - 90%
Net weight (kg)	3.8kg
Gross weight (kg)	5.95kg
Housing material	Sheet Metal
Housing (mm) L × W × H	450.5*275*40
Mounting	100*100

Touch Panel

Touch Technology	Projected Capacitive 10-Point Multitouch
Touch Connector	USB
Surface Hardness	7

Power

Power Supply	PC Spec
Power Consumption (W)	DC 12v
Stand-By Consumption (W)	<60W
	<1

External Connectors For PC

Power Jack	x1	HDMI Out	x1
VGA	x1	USB 3.0	X1
RJ45 Ports	x1	Audio I/O	x1
USB 2.0	X3	COM optional	X2

Included in the Delivery

Manual&Remote Controller	x1	Power Supply cable	x1
Wall mount bracket	x1	WIFI antenna	X1

Installation



X86 system

CPU	Intel® Celeron® Processor J4125	Intel core i3/i5/i7 optional
Graphic GPU	Intel® UHD Graphics	Intel® UHD Graphics
Audio	HD Audio	HD Audio
Memory	Netac-DDR4-2666MHz-SODIMM-8G	8G Optional
Storage	Foresee mSATA-128GB	32GB/64GB/256GB/512GB
Network	WIFI-NE238H-2.4G	Wifi 5G/BLE 5.1 optional
Pre-installed OS	Windows 10 Enterprise 2019 LTSC	Windows 10 Enterprise 2019 LTSC

LCD Panel

IP Rating	IP65 Front
Screen diagonal	21.5inch
Active screen size (mm)	477.6(W)*269.1(H)
Aspect ratio	16:9
Physical resolution	1920*1080
Colours displayed	16.7M
Brightness (cd/m2)	300
Contrast	1000:1
Visual Angle H/V (°)	175/175
Backlight Lifetime (hours)	LED 30,000

Operation

Operating Temperature (°C)	-10°C-60°C
Humidity Range (RH)	0% - 90%
Net weight (kg)	4.86kg
Gross weight (kg)	6.80kg
Housing material	Sheet Metal
Housing (mm) L × W × H	504*295.5*39.9
Mounting	100*100

Touch Panel

Touch Technology	Projected Capacitive 10-Point Multitouch
Touch Connector	USB
Surface Hardness	7

Power

	PC Spec
Power Supply	DC 12v
Power Consumption (W)	<60
Stand-By Consumption (W)	<1

External Connectors For PC

Power Jack	x1	HDMI Out	x1
VGA	x1	USB 3.0	X1
RJ45 Ports	x1	Audio I/O	x1
USB 2.0	X3	COM optional	X2

Included in the Delivery

Manual&Remote Controller	x1	Power Supply cable	x1
Wall mount bracket	x1	WIFI antenna	X1

Installation



23.8" Touch PC

TD238

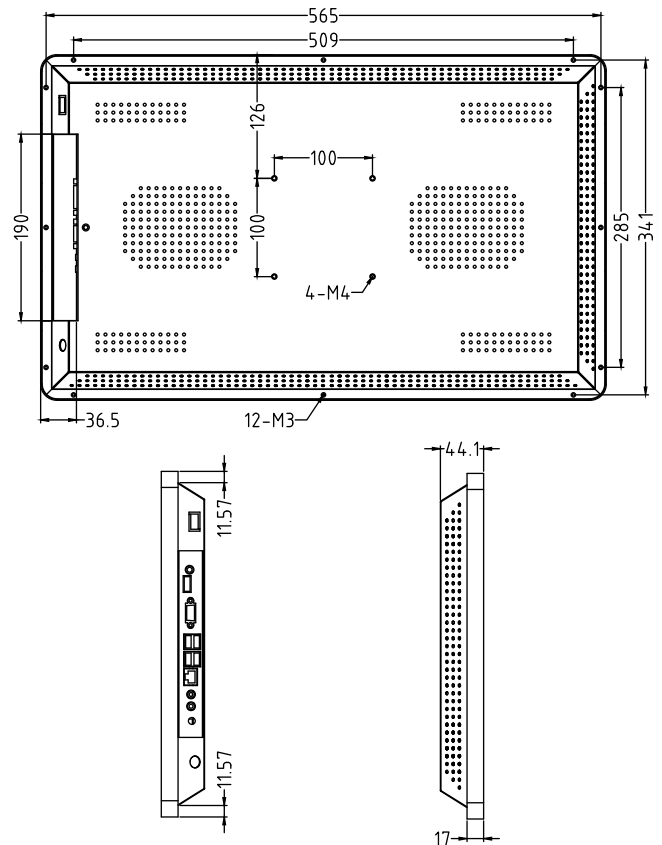
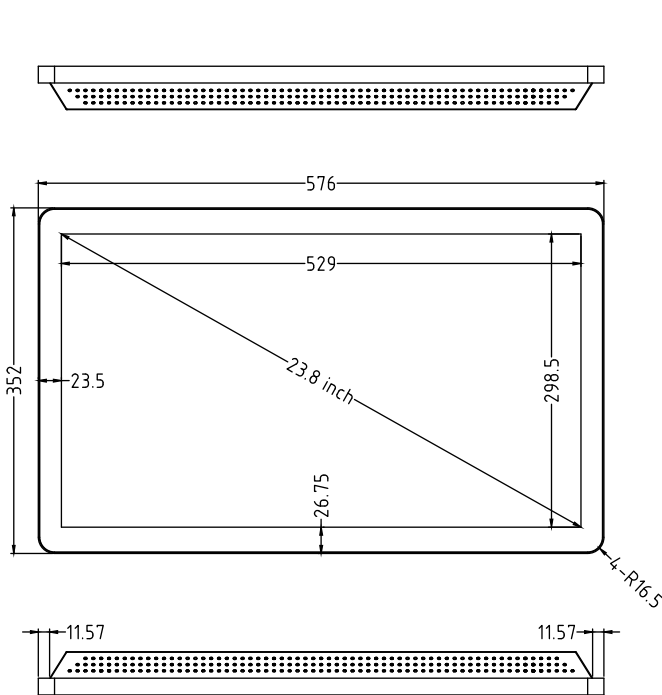


FHD display

pure and natural color

Industrial Touch Panel

Self-developed TP-ilitek & EETI



X86 system

CPU	Intel® Celeron® Processor J4125	Intel core i3/i5/i7 optional
Graphic GPU	Intel® UHD Graphics	Intel® UHD Graphics
Audio	HD Audio	HD Audio
Memory	Netac-DDR4-2666MHz-SODIMM-8G	8G Optional
Storage	Foresee mSATA-128GB	32GB/64GB/256GB/512GB
Network	WIFI-NE238H-2.4G	Wifi 5G/BLE 5.1 optional
Pre-installed OS	Windows 10 Enterprise 2019 LTSC	Windows 10 Enterprise 2019 LTSC

LCD Panel

IP Rating	IP65 Front
Screen diagonal	23.8inch
Display active screen size	529(W)*298.5 (H)
Aspect ratio	16:9
Physical resolution	1920*1080
Colours displayed	16.7M
Brightness (cd/m2)	250
Contrast	1000:1
Visual Angle H/V (°)	175/175
Backlight Lifetime (hours)	LED / 30,000

Operation

Operating Temperature (°C)	0°C-50°C
Humidity Range (RH)	0% - 90%
Net weight (kg)	7.98kg
Gross weight (kg)	10.2kg
Housing material	Sheet Metal
Housing (mm) L × W × H	576*352*44.1
Mounting	100*100

Touch Panel

Touch Technology	Projected Capacitive 10-Point Multitouch
Touch Connector	USB
Surface Hardness	7

Power

PC Spec	PC Spec
Power Supply	DC 12v
Power Consumption (W)	<60
Stand-By Consumption (W)	<1

External Connectors For PC

Power Jack	x1	HDMI Out	x1
VGA	x1	USB 3.0	X1
RJ45 Ports	x1	Audio I/O	x1
USB 2.0	X3	COM optional	X2

Included in the Delivery

Manual&Remote Controller	x1	Power Supply cable	x1
Wall mount bracket	x1	WIFI antenna	X1

Installation



27" Touch PC

TD270

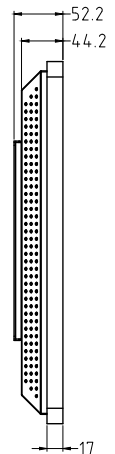
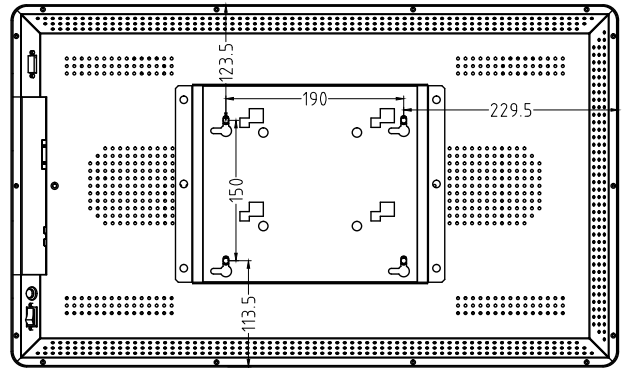
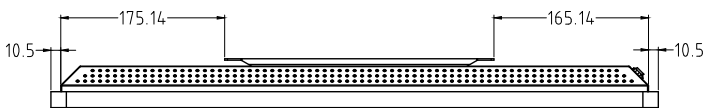
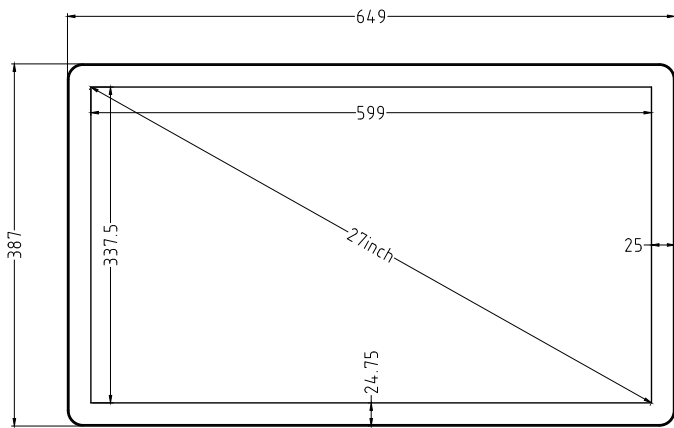
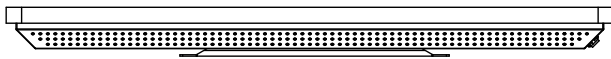


Multiple I/O

HDMI/USB/LAN/COM

Sheet metal Chassis

corrosion and oxidation resistance



X86 system

CPU	Intel® Celeron® Processor J4125	Intel core i3/i5/i7 optional
Graphic GPU	Intel® UHD Graphics	Intel® UHD Graphics
Audio	HD Audio	HD Audio
Memory	Netac-DDR4-2666MHz-SODIMM-8G	8G Optional
Storage	Foresee mSATA-128GB	32GB/64GB/256GB/512GB
Network	WIFI-NE238H-2.4G	Wifi 5G/BLE 5.1 optional
Pre-installed OS	Windows 10 Enterprise 2019 LTSC	Windows 10 Enterprise 2019 LTSC

LCD Panel

IP Rating	IP65 Front
Screen diagonal	27inch
Display active screen size	599(W)*337.5 (H)
Aspect ratio	16:9
Physical resolution	1920*1080
Colours displayed	16.7M
Brightness (cd/m2)	250
Contrast	1000:1
Visual Angle H/V (°)	175/175
Backlight Lifetime (hours)	LED / 30,000

Operation

Operating Temperature (°C)	0°C-50°C
Humidity Range (RH)	0% - 90%
Net weight (kg)	9.7kg
Gross weight (kg)	15.6kg
Housing material	Sheet Metal
Housing (mm) L × W × H	648*387*44.2
Mounting	100*100

Touch Panel

Touch Technology	Projected Capacitive 10-Point Multitouch
Touch Connector	USB
Surface Hardness	7

Power

	PC Spec
Power Supply	DC 12v
Power Consumption (W)	<75W
Stand-By Consumption (W)	<1

External Connectors For PC

Power Jack	x1	HDMI Out	x1
VGA	x1	USB 3.0	X1
RJ45 Ports	x1	Audio I/O	x1
USB 2.0	X3	COM optional	X2

Included in the Delivery

Manual&Remote Controller	x1	Power Supply cable	x1
Wall mount bracket	x1	WIFI antenna	X1

Installation



32" Touch PC

HD32

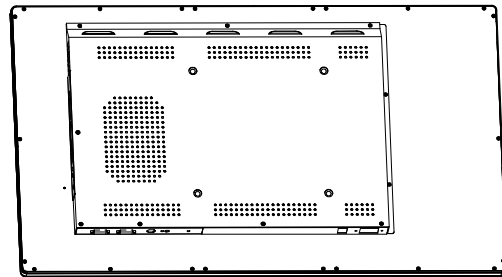
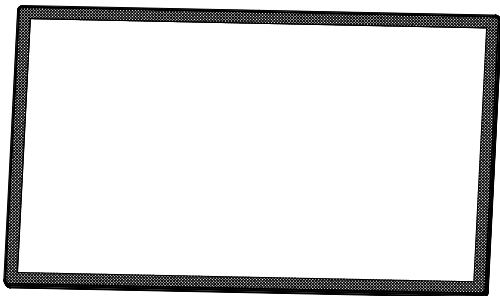
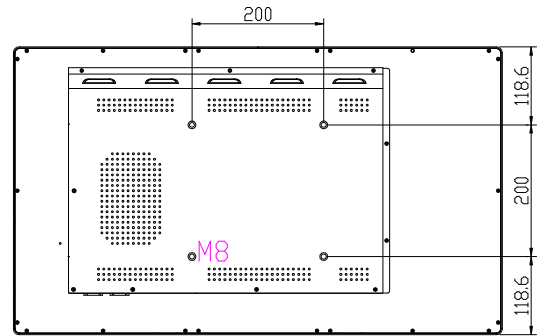
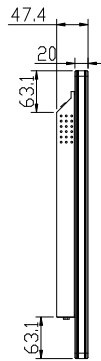
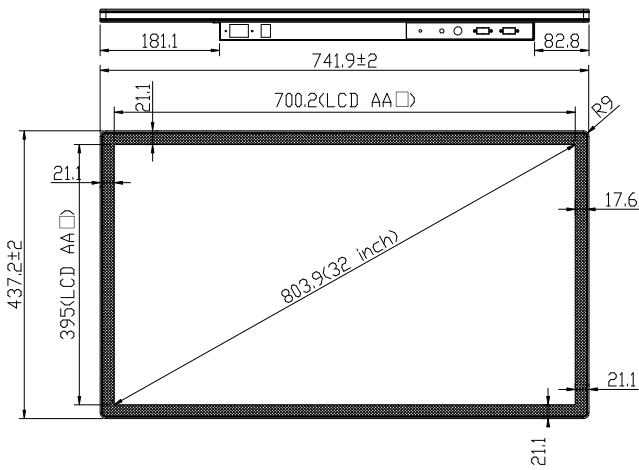


FHD display

pure and natural color

Industrial Touch Panel

Self-developed TP-ilitek & EETI



X86 system

CPU	OPS - Celeron® J1900	OPS- Intel core i3/i5/i7 optional
Graphic GPU	Intel® UHD Graphics	Intel® UHD Graphics
Audio	HD Audio	HD Audio
Memory	Netac-DDR4-2666MHz-SODIMM-8G	8G Optional
Storage	Foresee mSATA-128GB	32GB/64GB/256GB/512GB
Network	WIFI-NE238H-2.4G	Wifi 5G/BLE 5.1 optional
Pre-installed OS	Windows 10 Enterprise 2019 LTSC	Windows 10 Enterprise 2019 LTSC

LCD Panel

IP Rating	IP65 Front
Screen diagonal	32inch
Display active screen size	700.2(W)*395(H)mm
Aspect ratio	16:9
Physical resolution	1920*1080
Colours displayed	16.7M
Brightness (cd/m2)	300-350
Contrast	1000:1
Visual Angle H/V (°)	175/175
Backlight Lifetime (hours)	LED 30,000

Operation

Operating Temperature (°C)	-10°C-60°C
Humidity Range (RH)	0% - 90%
Net weight (kg)	11.3kg
Gross weight (kg)	15.7kg
Housing material	Sheet Metal
Housing (mm) L × W × H	741.4*436.2*47.4
Mounting	200*200

Touch Panel

Touch Technology	Projected Capacitive 10-Point Multitouch
Touch Connector	USB
Surface Hardness	7

Power

	PC Spec
Power Supply	DC 12v
Power Consumption (W)	<95W
Stand-By Consumption (W)	<1

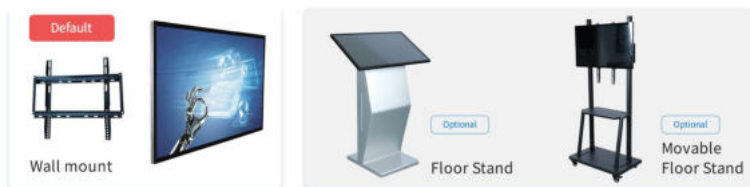
External Connectors For PC

Power Jack	x1	HDMI Out	x1
VGA	x1	USB 3.0	X1
RJ45 Ports	x1	Audio I/O	x1
USB 2.0	X3	COM optional	X2

Included in the Delivery

Manual&Remote Controller	x1	Power Supply cable	x1
Wall mount bracket	x1	WIFI antenna	X1

Installation

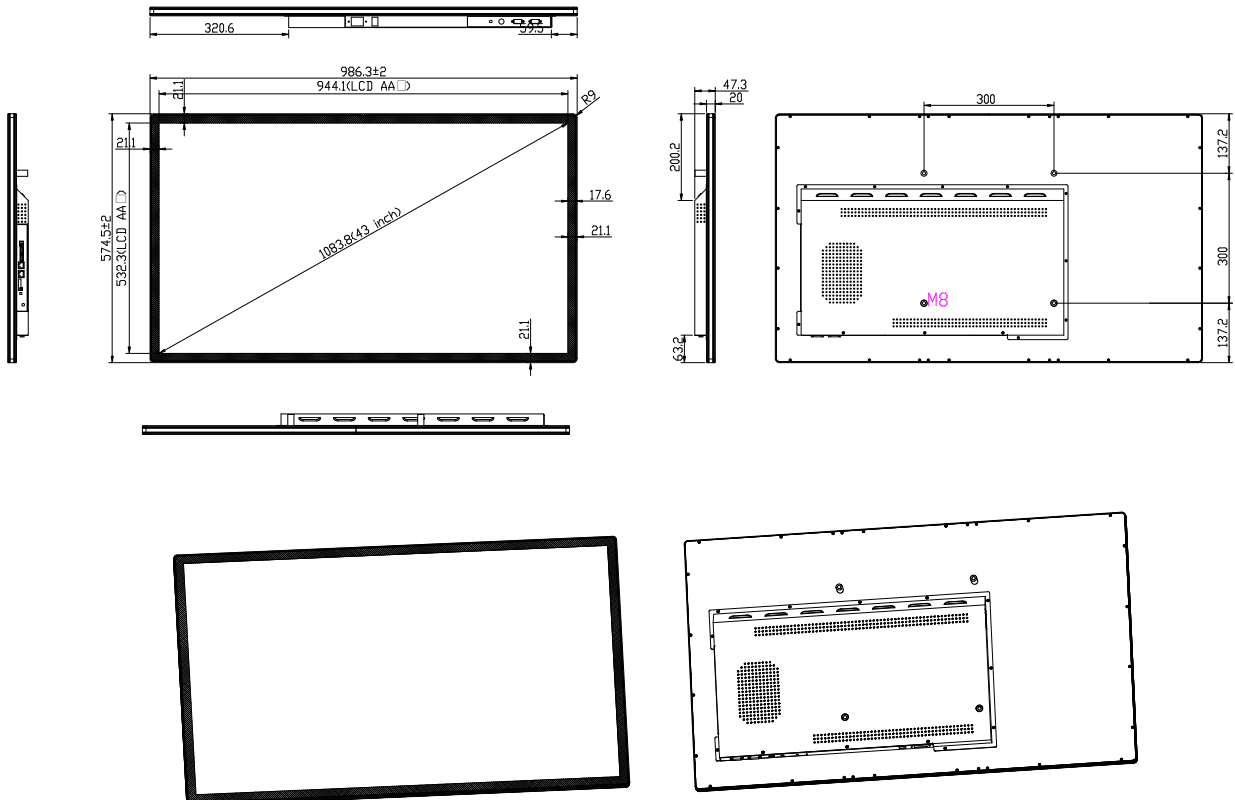


43" Touch PC | HD43



FHD/4k display
pure and natural color

OPS computer integrated
Easy maintenance and upgrades



X86 system

CPU	OPS - Celeron® J1900	OPS- Intel core i3/i5/i7 optional
Graphic GPU	Intel® UHD Graphics	Intel® UHD Graphics
Audio	HD Audio	HD Audio
Memory	Netac-DDR4-2666MHz-SODIMM-8G	8G Optional
Storage	Foresee mSATA-128GB	32GB/64GB/256GB/512GB
Network	WIFI-NE238H-2.4G	Wifi 5G/BLE 5.1 optional
Pre-installed OS	Windows 10 Enterprise 2019 LTSC	Windows 10 Enterprise 2019 LTSC

LCD Panel

IP Rating	IP65 Front
Screen diagonal	43inch
Display active screen size	944.1(W)*532.3(H)
Aspect ratio	16:9
Physical resolution	1920*1080
Colours displayed	16.7M
Brightness (cd/m2)	300-350
Contrast	1000:1
Visual Angle H/V (°)	175/175
Backlight Lifetime (hours)	LED 30,000

Operation

Operating Temperature (°C)	0°C-50°C
Humidity Range (RH)	10% - 90%
Net weight (kg)	17.6kg
Gross weight (kg)	22kg
Housing material	Sheet Metal
Housing (mm) L × W × H	986.3*574.5*47.3
Mounting	300*300

Touch Panel

Touch Technology	Projected Capacitive 10-Point Multitouch
Touch Connector	USB
Surface Hardness	7

Power

	PC Spec
Power Supply	DC 12v
Power Consumption (W)	<115W
Stand-By Consumption (W)	<1

External Connectors For PC

Power Jack	x1	HDMI Out	x1
VGA	x1	USB 3.0	X1
RJ45 Ports	x1	Audio I/O	x1
USB 2.0	X3	COM optional	X2

Included in the Delivery

Manual&Remote Controller	x1	Power Supply cable	x1
Wall mount bracket	x1	WIFI antenna	X1

Installation



The image shows a close-up of an industrial control panel. At the top, there is a row of six safety signs: two red prohibition signs (no open flames, no smoking), two yellow warning signs (falling object, high voltage), and two blue mandatory signs (wear safety glasses, wear gloves). Below the signs is a large, black-framed touch monitor displaying a software interface with a 3D mechanical model of a machine. Underneath the monitor, the panel features several control elements: a white emergency stop button, a black emergency stop button, a black emergency stop button with a key, three black circular buttons, and a prominent red emergency stop button. The entire panel is mounted on a light-colored metal cabinet.

Monitor

Touch



Fantastic build quality.

Fantastic build quality rarely found in multiple touchscreen sizes, It is a series of robust android tablet with toughened glass touchscreen and metal shell for long lasting durability in public spaces.

VESA fixings

VESA fixings on the rear allow for easy wall or desk mounting, with compatibility with a wide range of wall mounts and desk mount accessories.

TD series Touch Monitor Space saving all in one design with choice of integrated Android PC to suit most price budgets.

7" Touch Monitor

TD070

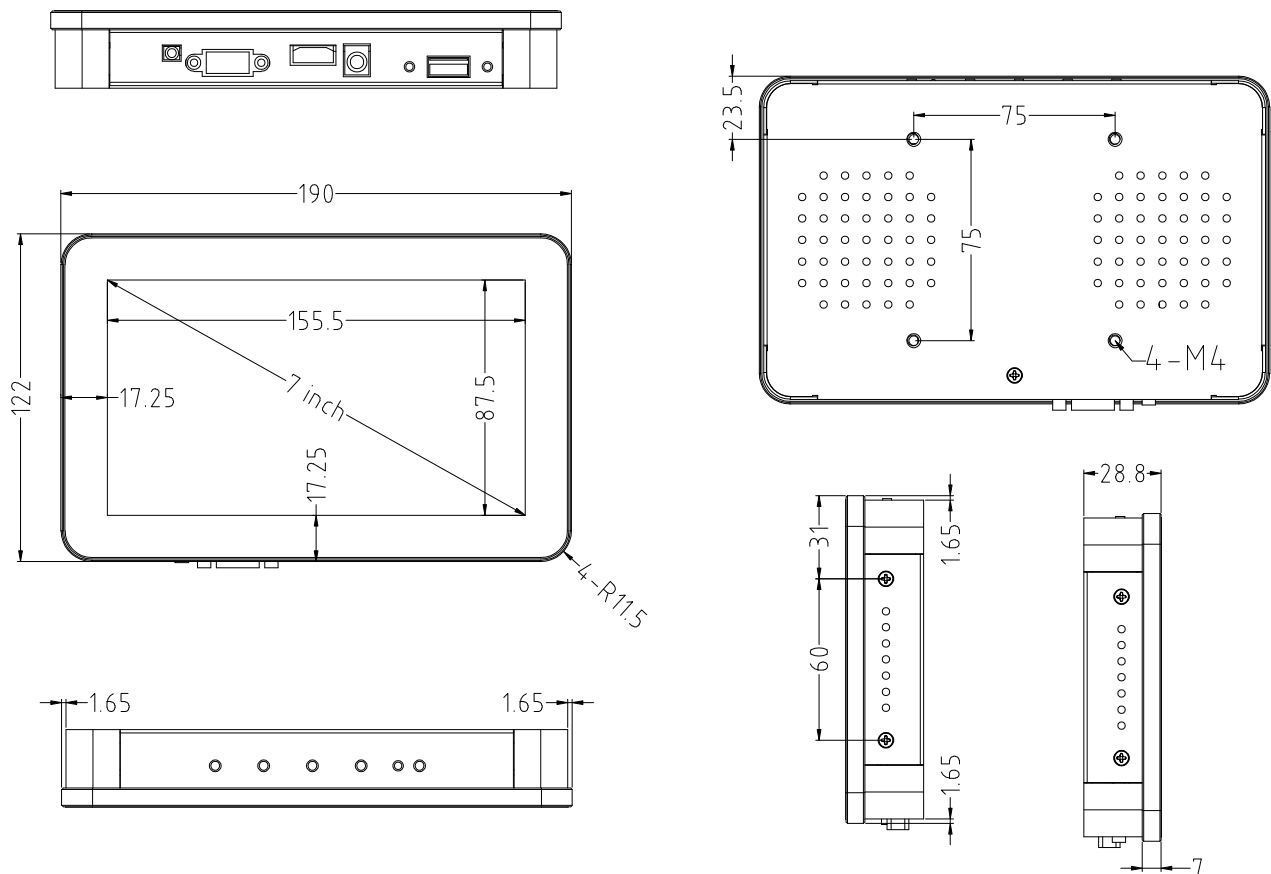


Versatile Installation

Wall mount / Embedded/VESA

Full Metal Chassis

corrosion and oxidation resistance



LCD Panel

IP Rating	IP65 Front
Screen diagonal	7inch
Display active screen size	155.5*87.5mm
Aspect ratio	16:9
Physical resolution	1024*600
Colours displayed	16.7M
Brightness (cd/m2)	250
Contrast	1000:1
Visual Angle H/V (°)	175/175
Backlight Lifetime (hours)	LED / 30,000

Touch Panel

Touch Technology	Projected Capacitive 10-Point Multitouch
Touch Connector	USB
Surface Hardness	7h

External Connectors

12v DC IN	x1	HDMI IN	x1
USB	x1	VGA	X1
Audio I/O	x1		

Power

Power Supply	100-240V AC;
Working Power (V)	12
Power Consumption (W)	<20
Stand-By Consumption (W)	<1

Operation

Operating Temperature (°C)	0°C-50°C
Humidity Range (RH)	0% - 90%
Net weight (kg)	0.74kg
Gross weight (kg)	1.75kg
Housing material	Sheet Metal
Housing (mm) L × W × H	190*122*28.8
Mounting	75*75

Included in the Delivery

Manual	x1	Power Supply	x1
Wall mount bracket	x1	USB CABLE+HDMI CABLE	X1

Installation



8" Touch Monitor

TD080N

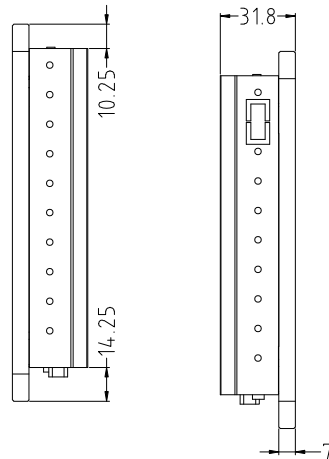
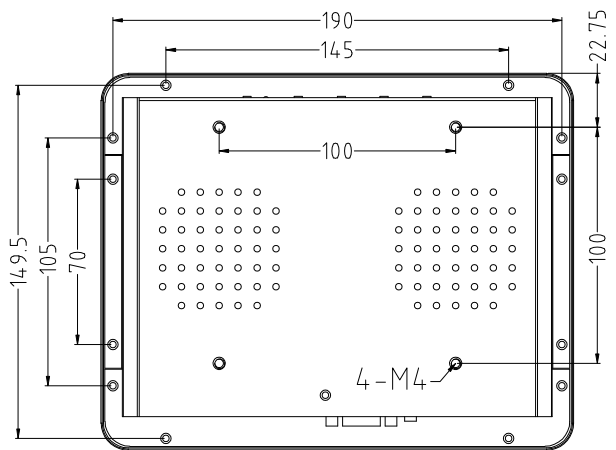
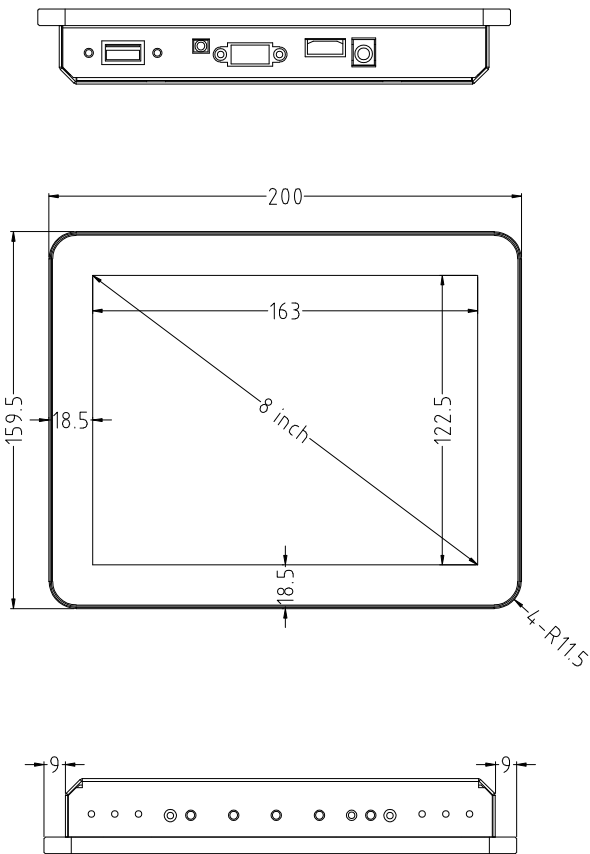


Versatile Installation

Wall mount / Embedded / VESA

Full Metal Chassis

corrosion and oxidation resistance



LCD Panel

IP Rating	IP65 Front
Screen diagonal	8inch
Display active screen size	163*122.5mm
Aspect ratio	4:3
Physical resolution	1024*768
Colours displayed	16.7M 52%
Brightness (cd/m2)	250
Contrast	800:1
Visual Angle H/V (°)	175/175
Backlight Lifetime (hours)	LED / 30,000

Touch Panel

Touch Technology	Projected Capacitive 10-Point Multitouch
Touch Connector	USB
Surface Hardness	7h

External Connectors

12v DC IN	x1	HDMI IN	x1
USB	x1	VGA	X1
Audio I/O	x1		

Power

Power Supply	100-240V AC;
Working Power (V)	12
Power Consumption (W)	<20
Stand-By Consumption (W)	<1

Operation

Operating Temperature (°C)	0°C-50°C
Humidity Range (RH)	0% - 90%
Net weight (kg)	0.95kg
Gross weight (kg)	1.95kg
Housing material	Sheet Metal
Housing (mm) L × W × H	200*159.5*31.8
Mounting	100*100

Included in the Delivery

Manual	x1	Power Supply	x1
Wall mount bracket	x1	USB CABLE+HDMI CABLE	X1

Installation



8" Touch Monitor

TD080W

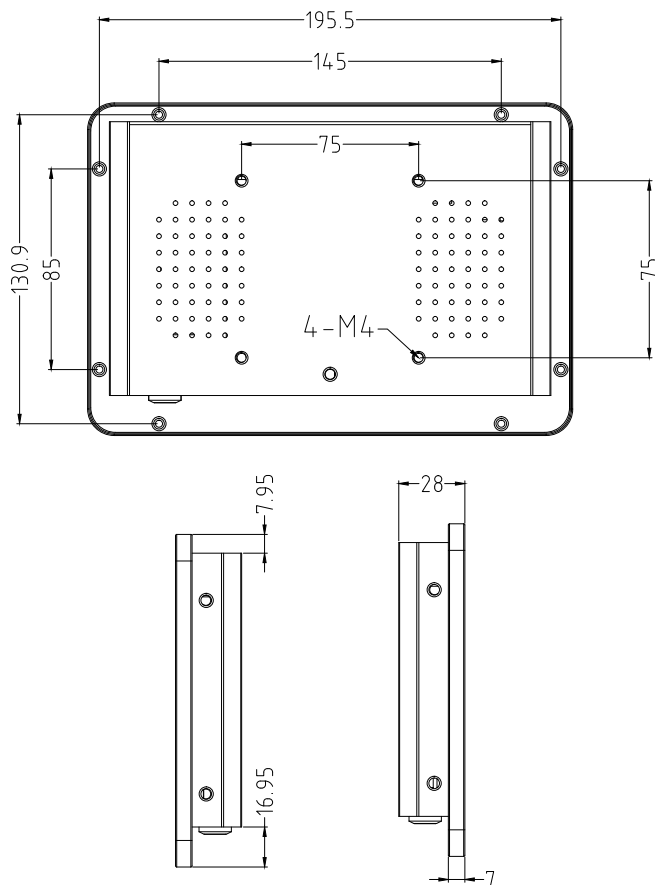
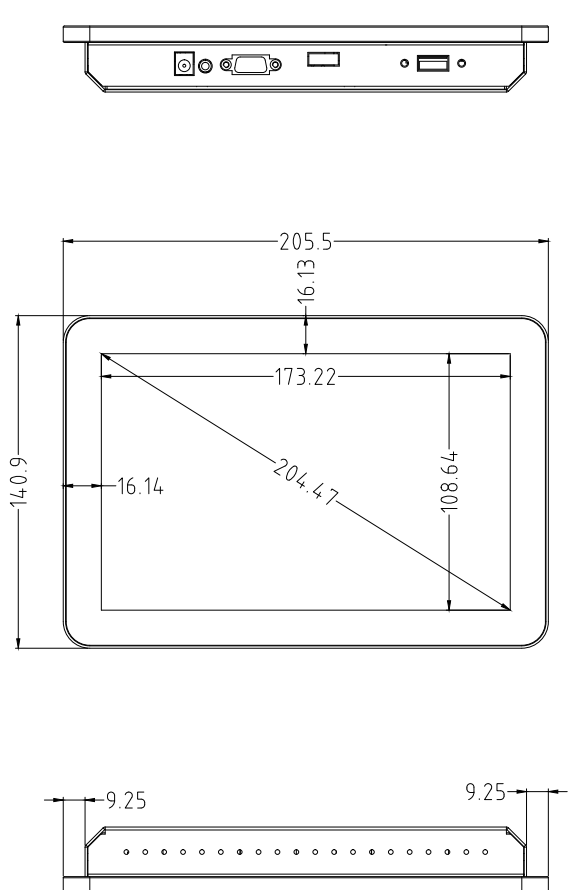


Versatile Installation

Wall mount / Embedded/VESA

Full Metal Chassis

corrosion and oxidation resistance



LCD Panel

IP Rating	IP65 Front
Screen diagonal	8inch
Display active screen size	173(W)*108.6(H)
Aspect ratio	16:10
Physical resolution	1280*800
Colours displayed	16.7M
Brightness (cd/m2)	250
Contrast	1000:1
Visual Angle H/V (°)	175/175
Backlight Lifetime (hours)	LED / 30,000

Touch Panel

Touch Technology	Projected Capacitive 10-Point Multitouch
Touch Connector	USB
Surface Hardness	7h

External Connectors

12v DC IN	x1	HDMI IN	x1
USB	x1	VGA	X1
Audio I/O	x1		

Power

Power Supply	100-240V AC;
Working Power (V)	12
Power Consumption (W)	<20
Stand-By Consumption (W)	<1

Operation

Operating Temperature (°C)	0°C-50°C
Humidity Range (RH)	0% - 90%
Net weight (kg)	0.95kg
Gross weight (kg)	1.95kg
Housing material	Sheet Metal
Housing (mm) L × W × H	140.9*205.5*28
Mounting	75*75

Included in the Delivery

Manual	x1	Power Supply	x1
Wall mount bracket	x1	USB CABLE+HDMI CABLE	X1

Installation



10.1" Touch Monitor | TD101E

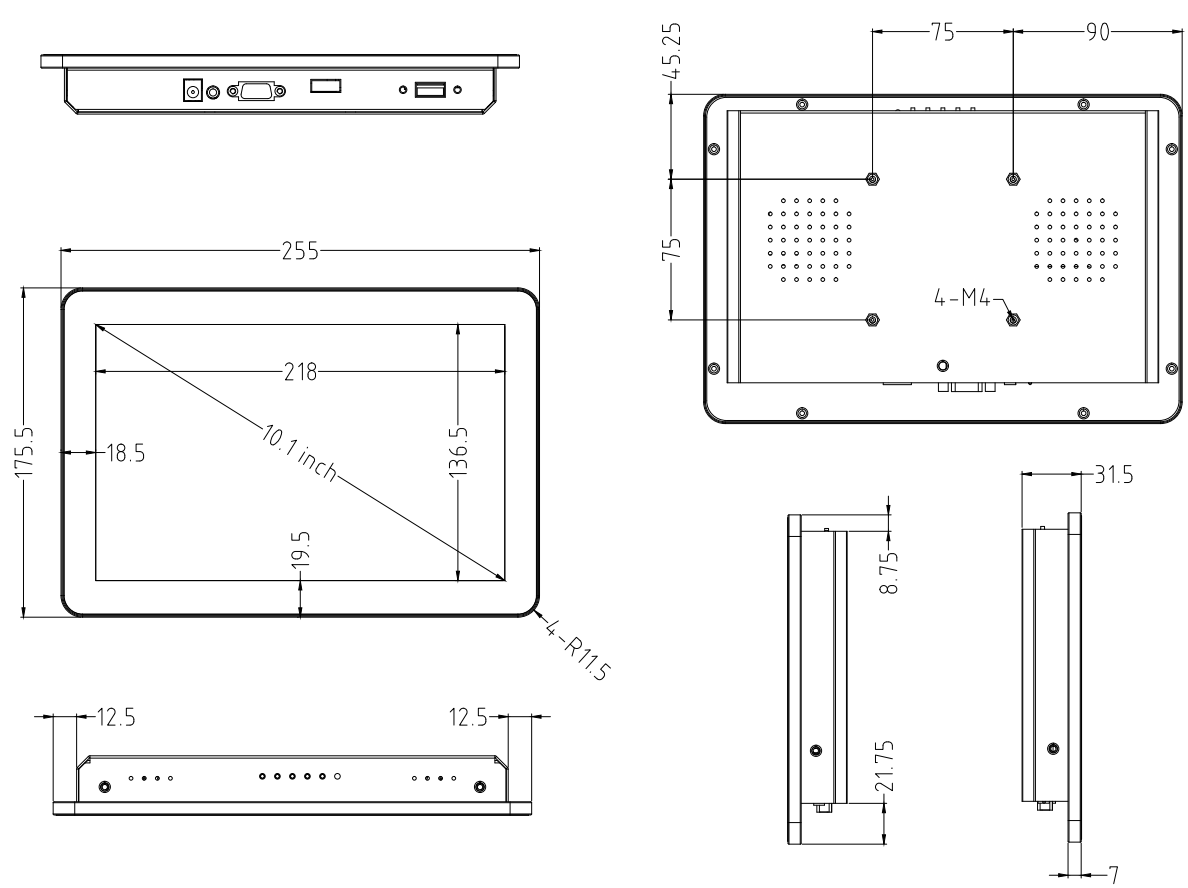


Versatile Installation

Wall mount / Embedded/VESA

Full Metal Chassis

corrosion and oxidation resistance



LCD Panel

IP Rating	IP65 Front
Screen diagonal	10.1inch
Display active screen size	218(W)*136.5(H)
Aspect ratio	16:10
Physical resolution	1280*800
Colours displayed	16.7M
Brightness (cd/m2)	250
Contrast	1000:1
Visual Angle H/V (°)	175/175
Backlight Lifetime (hours)	LED / 30,000

Touch Panel

Touch Technology	Projected Capacitive 10-Point Multitouch
Touch Connector	USB
Surface Hardness	7h

External Connectors

12v DC IN	x1	HDMI IN	x1
USB	x1	VGA	X1
Audio I/O	x1		

Power

Power Supply	100-240V AC;
Working Power (V)	12
Power Consumption (W)	<20
Stand-By Consumption (W)	<1

Operation

Operating Temperature (°C)	0°C-50°C
Humidity Range (RH)	0% - 90%
Net weight (kg)	0.8kg
Gross weight (kg)	2kg
Housing material	Aluminum
Housing (mm) L × W × H	255*175.5*28.2
Mounting	75*75

Included in the Delivery

Manual	x1	Power Supply	x1
Wall mount bracket	x1	USB CABLE+HDMI CABLE	X1

Installation



11.6" Touch Monitor

TD116

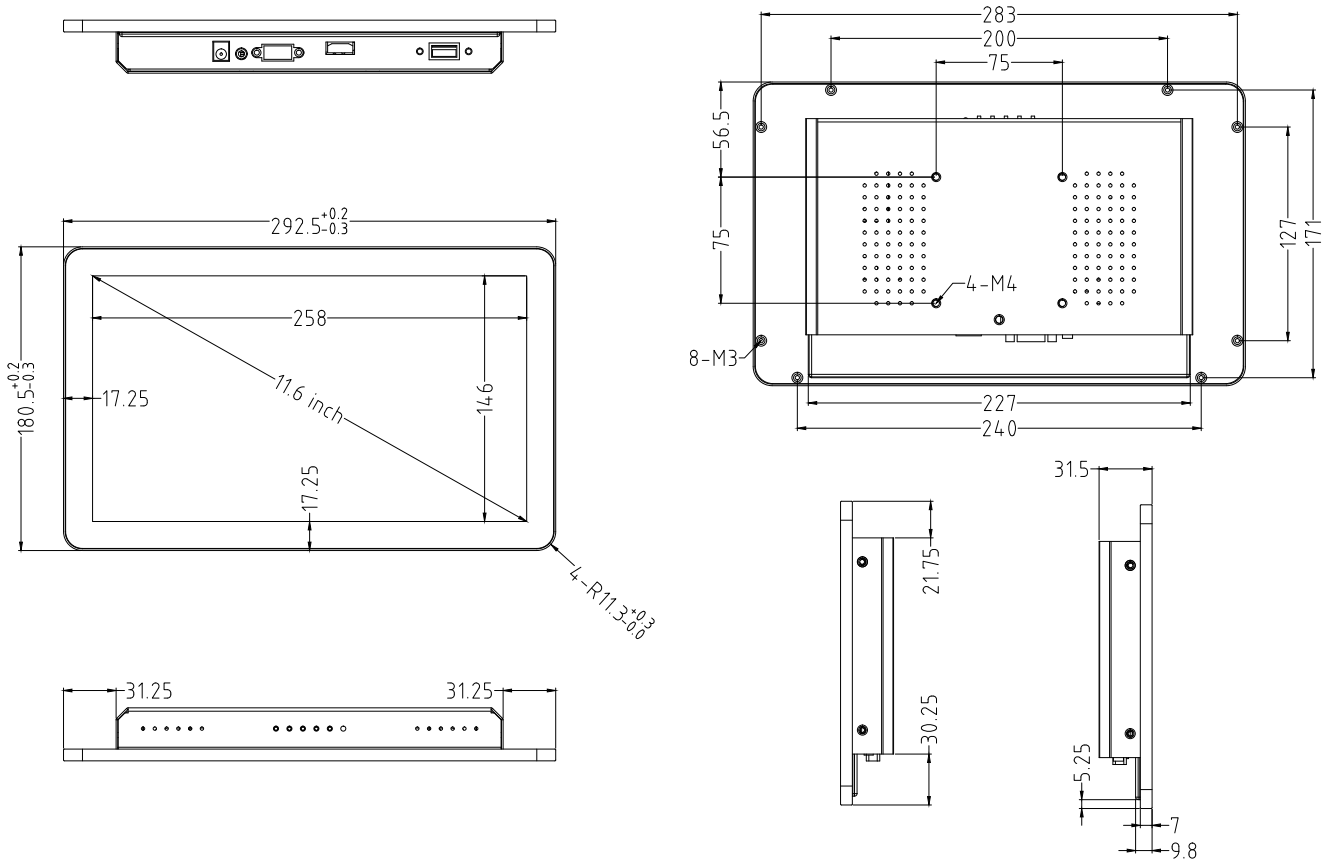


Versatile Installation

Wall mount / Embedded/VESA

Full Metal Chassis

corrosion and oxidation resistance



LCD Panel

IP Rating	IP65 Front
Screen diagonal	11.6inch
Display active screen size	258(W)*146(H)
Aspect ratio	16:9
Physical resolution	1920*1080
Colours displayed	16.7M
Brightness (cd/m2)	250
Contrast	1000:1
Visual Angle H/V (°)	175/175
Backlight Lifetime (hours)	LED / 30,000

Touch Panel

Touch Technology	Projected Capacitive 10-Point Multitouch
Touch Connector	USB
Surface Hardness	7h

External Connectors

12v DC IN	x1	HDMI IN	x1
USB	x1	VGA	X1
Audio I/O	x1		

Power

Power Supply	100-240V AC;
Working Power (V)	12
Power Consumption (W)	<20
Stand-By Consumption (W)	<1

Operation

Operating Temperature (°C)	0°C-50°C
Humidity Range (RH)	0% - 90%
Net weight (kg)	1.19kg
Gross weight (kg)	2.34kg
Housing material	Aluminum
Housing (mm) L × W × H	293*181*31.5
Mounting	75*75

Included in the Delivery

Manual	x1	Power Supply	x1
Wall mount bracket	x1	USB CABLE+HDMI CABLE	X1

Installation



13.3" Touch Monitor

TD133D

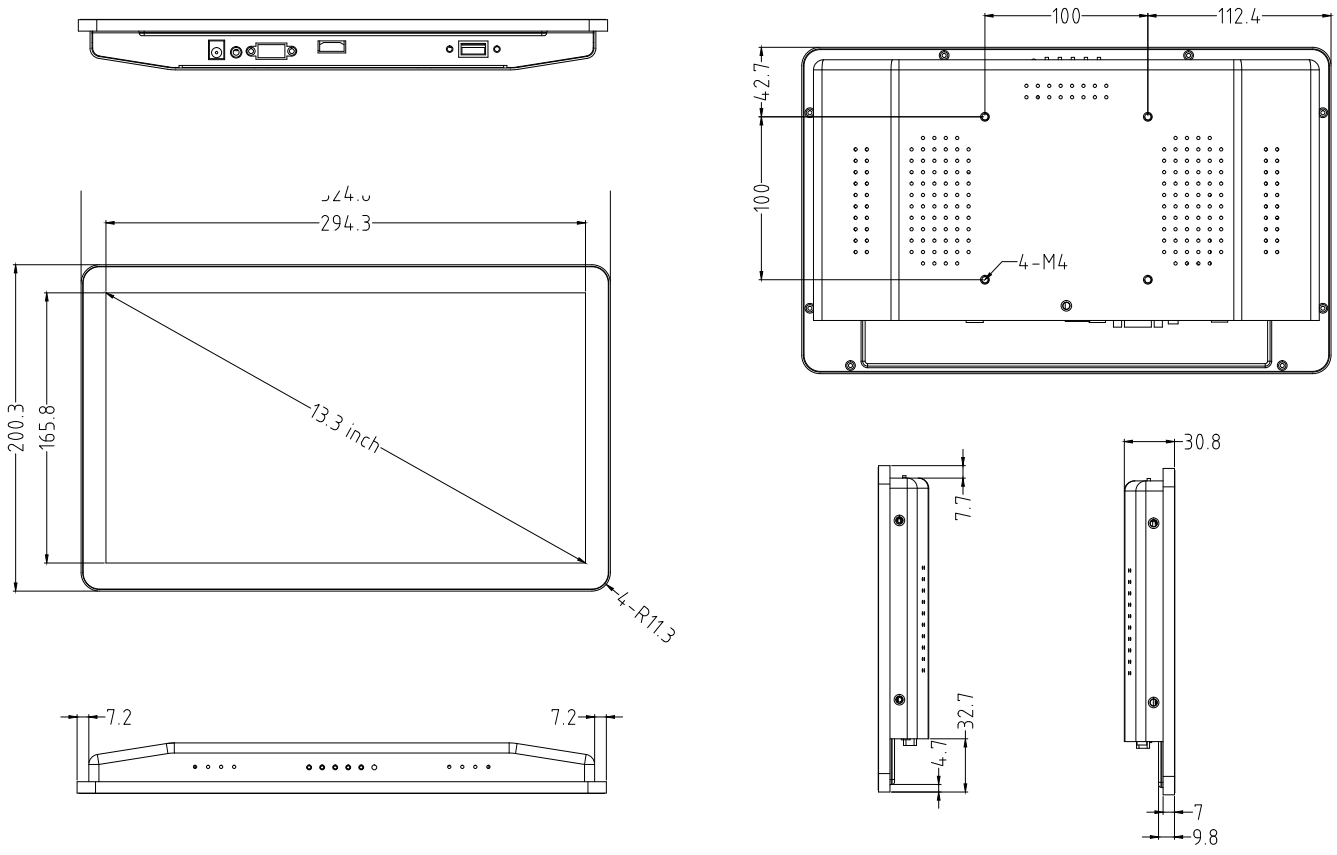


Versatile Installation

Wall mount / Embedded/VESA

Full Metal Chassis

corrosion and oxidation resistance



LCD Panel

IP Rating	IP65 Front
Screen diagonal	13.3inch
Display active screen size	293.4 (W)*165 (H)
Aspect ratio	16:9
Physical resolution	1920*1080
Colours displayed	16.7M
Brightness (cd/m2)	250
Contrast	1000:1
Visual Angle H/V (°)	175/175
Backlight Lifetime (hours)	LED / 30,000

Touch Panel

Touch Technology	Projected Capacitive 10-Point Multitouch
Touch Connector	USB
Surface Hardness	7h

External Connectors

12v DC IN	x1	HDMI IN	x1
USB	x1	VGA	X1
Audio I/O	x1		

Power

Power Supply	100-240V AC;
Working Power (V)	12
Power Consumption (W)	<20
Stand-By Consumption (W)	<1

Operation

Operating Temperature (°C)	0°C-50°C
Humidity Range (RH)	0% - 90%
Net weight (kg)	1.2kg
Gross weight (kg)	2.5kg
Housing material	Aluminum
Housing (mm) L × W × H	324.8*200.3*31
Mounting	100*100

Included in the Delivery

Manual	x1	Power Supply	x1
Wall mount bracket	x1	USB CABLE+HDMI CABLE	X1

Installation

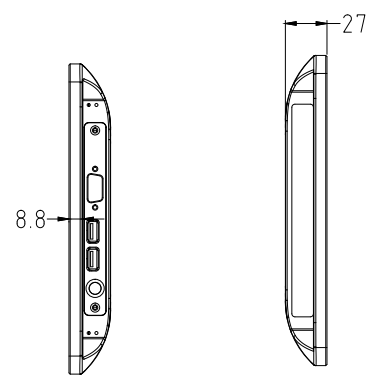
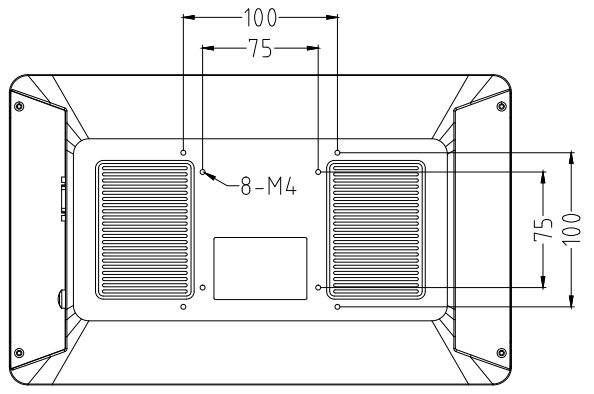
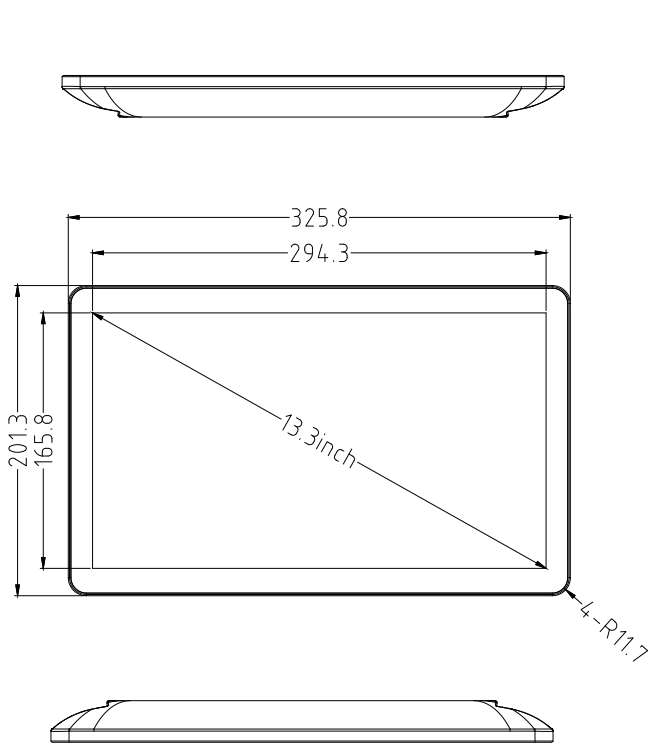


13.3" Touch Monitor | 3



Full Enclosure
Dust proof

Full Aluminum Chassis
corrosion and oxidation resistance



LCD Panel

IP Rating	IP65 Front
Screen diagonal	13.3inch
Display active screen size	294.3 (W)*165.8 (H)
Aspect ratio	16:9
Physical resolution	1920*1080
Colours displayed	16.7M
Brightness (cd/m2)	250
Contrast	1000:1
Visual Angle H/V (°)	175/175
Backlight Lifetime (hours)	LED / 30,000

Touch Panel

Touch Technology	Projected Capacitive 10-Point Multitouch
Touch Connector	USB
Surface Hardness	7h

External Connectors

12v DC IN	x1	HDMI IN	x1
USB	x1	VGA	X1
Audio I/O	x1		

Power

Power Supply	100-240V AC;
Working Power (V)	12
Power Consumption (W)	<20
Stand-By Consumption (W)	<1

Operation

Operating Temperature (°C)	0°C-50°C
Humidity Range (RH)	0% - 90%
Net weight (kg)	1.4kg
Gross weight (kg)	2.75kg
Housing material	Aluminum
Housing (mm) L × W × H	325.8*201.3*27
Mounting	75*75/100*100

Included in the Delivery

Manual	x1	Power Supply	x1
Wall mount bracket	x1	USB CABLE+HDMI CABLE	X1

Installation



14" Touch Monitor | TD140

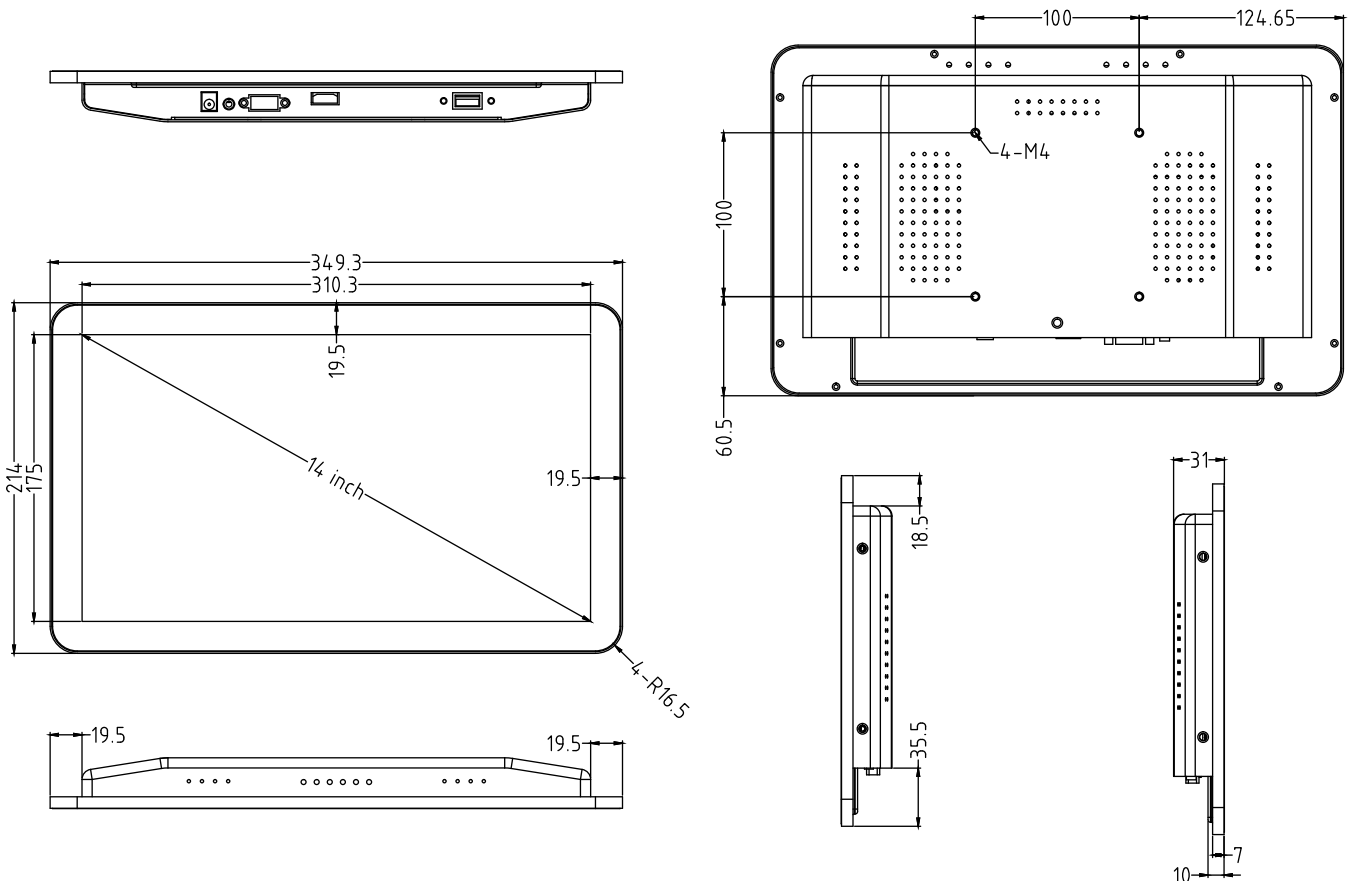


Versatile Installation

Wall mount / Embedded/VESA

Full Metal Chassis

corrosion and oxidation resistance



LCD Panel

IP Rating	IP65 Front
Screen diagonal	14inch
Display active screen size	310.3 (W)*175 (H)
Aspect ratio	16:9
Physical resolution	1920*1080
Colours displayed	16.7M
Brightness (cd/m2)	250
Contrast	1000:1
Visual Angle H/V (°)	175/175
Backlight Lifetime (hours)	LED / 30,000

Touch Panel

Touch Technology	Projected Capacitive 10-Point Multitouch
Touch Connector	USB
Surface Hardness	7h

External Connectors

12v DC IN	x1	HDMI IN	x1
USB	x1	VGA	X1
Audio I/O	x1		

Power

Power Supply	100-240V AC;
Working Power (V)	12
Power Consumption (W)	<20
Stand-By Consumption (W)	<1

Operation

Operating Temperature (°C)	0°C-50°C
Humidity Range (RH)	0% - 90%
Net weight (kg)	1.23kg
Gross weight (kg)	2.34kg
Housing material	Aluminum
Housing (mm) L × W × H	349.3*214*31
Mounting	100*100

Included in the Delivery

Manual	x1	Power Supply	x1
Wall mount bracket	x1	USB CABLE+HDMI CABLE	X1

Installation



15.6" Touch Monitor | TD156C

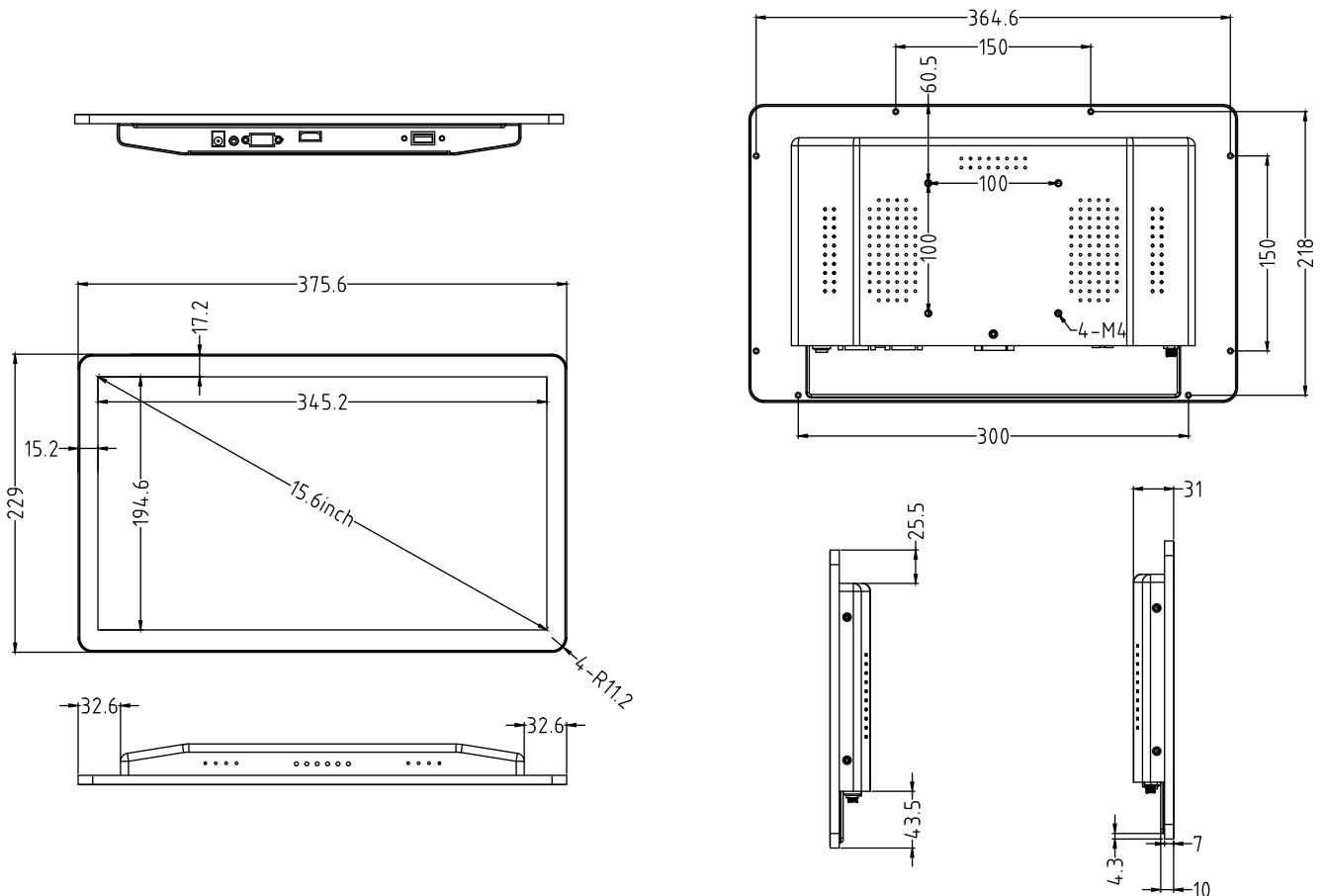


Versatile Installation

Wall mount / Embedded/VESA

Full Metal Chassis

corrosion and oxidation resistance



LCD Panel

IP Rating	IP65 Front
Screen diagonal	15.6inch
Display active screen size	345.2 (W)*194.6 (H)
Aspect ratio	16:9
Physical resolution	1920*1080
Colours displayed	16.7M
Brightness (cd/m2)	250
Contrast	1000:1
Visual Angle H/V (°)	175/175
Backlight Lifetime (hours)	LED / 30,000

Touch Panel

Touch Technology	Projected Capacitive 10-Point Multitouch
Touch Connector	USB
Surface Hardness	7h

External Connectors

12v DC IN	x1	HDMI IN	x1
USB	x1	VGA	X1
Audio I/O	x1		

Power

Power Supply	100-240V AC;
Working Power (V)	12
Power Consumption (W)	<20
Stand-By Consumption (W)	<1

Operation

Operating Temperature (°C)	0°C-50°C
Humidity Range (RH)	0% - 90%
Net weight (kg)	1.65kg
Gross weight (kg)	3.07kg
Housing material	Aluminum
Housing (mm) L × W × H	394*241*34.9
Mounting	75*75

Included in the Delivery

Manual	x1	Power Supply	x1
Wall mount bracket	x1	USB CABLE+HDMI CABLE	X1

Installation



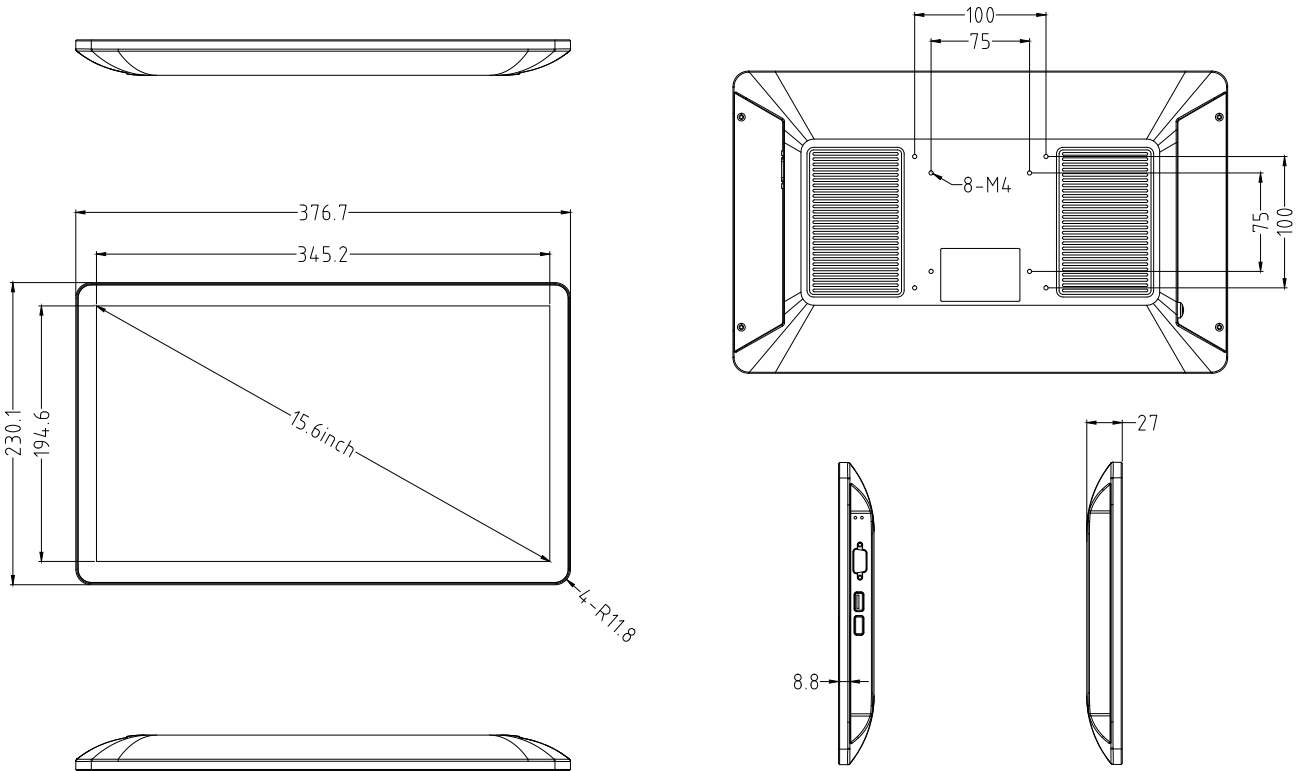
15.6" Touch Monitor

6



Full Enclosure
Dust proof

Full Aluminum Chassis
corrosion and oxidation resistance



LCD Panel

IP Rating	IP65 Front
Screen diagonal	15.6inch
Display active screen size	344 (W)*194 (H)
Aspect ratio	16:9
Physical resolution	1920*1080
Colours displayed	16.7M
Brightness (cd/m2)	250
Contrast	1000:1
Visual Angle H/V (°)	175/175
Backlight Lifetime (hours)	LED / 30,000

Touch Panel

Touch Technology	Projected Capacitive 10-Point Multitouch
Touch Connector	USB
Surface Hardness	7h

External Connectors

12v DC IN	x1	HDMI IN	x1
USB	x1	VGA	X1
Audio I/O	x1		

Power

Power Supply	100-240V AC;
Working Power (V)	12
Power Consumption (W)	<20
Stand-By Consumption (W)	<1

Operation

Operating Temperature (°C)	0°C-50°C
Humidity Range (RH)	10% - 80%
Net weight (kg)	1.6kg
Gross weight (kg)	2.4kg
Housing material	Aluminum
Housing (mm) L × W × H	376.7*230.1*27
Mounting	75*75/100*100

Included in the Delivery

Manual	x1	Power Supply	x1
Wall mount bracket	x1	USB CABLE+HDMI CABLE	X1

Installation



17.3" Touch Monitor

TD173

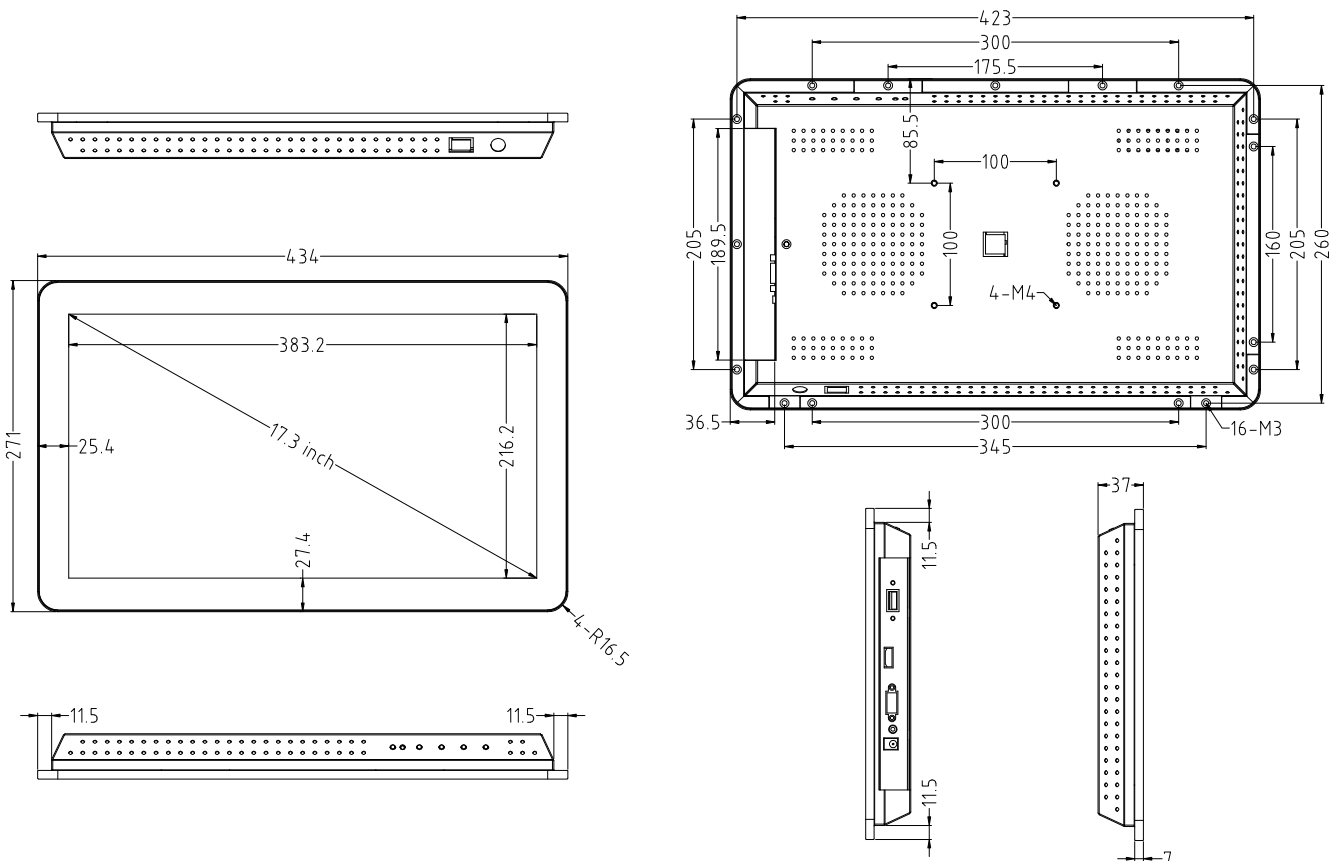


Versatile Installation

Wall mount / Embedded/VESA

Full Metal Chassis

corrosion and oxidation resistance



LCD Panel

IP Rating	IP65 Front
Screen diagonal	17.3inch
Display active screen size	383.2 (W)*216.2 (H)
Aspect ratio	16:9
Physical resolution	1920*1080
Colours displayed	16.7M
Brightness (cd/m2)	250
Contrast	1000:1
Visual Angle H/V (°)	175/175
Backlight Lifetime (hours)	LED / 30,000

Touch Panel

Touch Technology	Projected Capacitive 10-Point Multitouch
Touch Connector	USB
Surface Hardness	7h

External Connectors

12v DC IN	x1	HDMI IN	x1
USB	x1	VGA	X1
Audio I/O	x1		

Power

Power Supply	100-240V AC;
Working Power (V)	12
Power Consumption (W)	<20
Stand-By Consumption (W)	<1

Operation

Operating Temperature (°C)	0°C-50°C
Humidity Range (RH)	0% - 90%
Net weight (kg)	3.06kg
Gross weight (kg)	5.05kg
Housing material	Aluminum
Housing (mm) L × W × H	434*271*37
Mounting	75*75

Included in the Delivery

Manual	x1	Power Supply	x1
Wall mount bracket	x1	USB CABLE+HDMI CABLE	X1

Installation

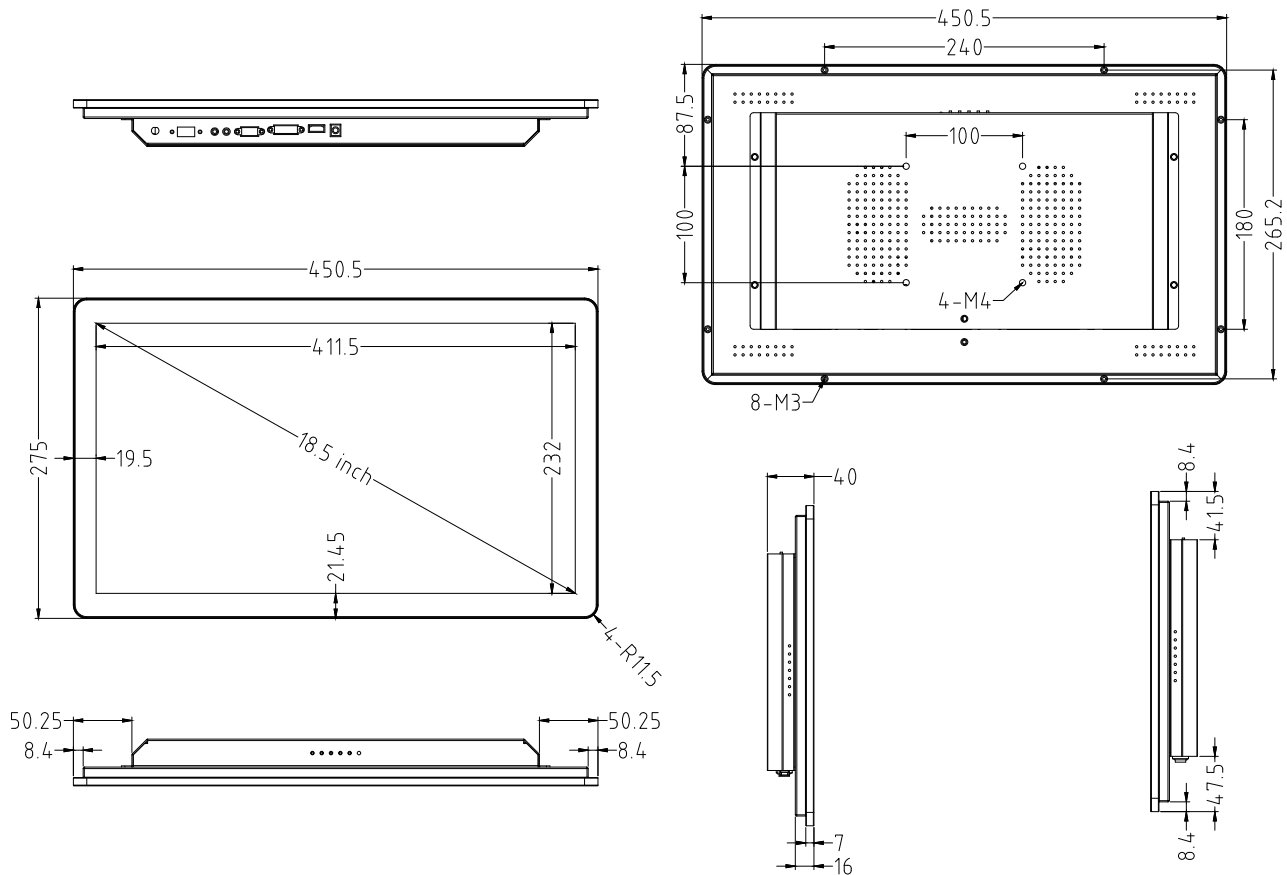


18.5" Touch Monitor | TD185C



FHD display
pure and natural color

Sheet metal Chassis
corrosion and oxidation resistance



LCD Panel

IP Rating	IP65 Front
Screen diagonal	18.5inch
Display active screen size	411.5 (W)*232 (H)
Aspect ratio	16:9
Physical resolution	1366*768/1920*1080
Colours displayed	16.7M
Brightness (cd/m2)	250
Contrast	1000:1
Visual Angle H/V (°)	175/175
Backlight Lifetime (hours)	LED / 30,000

Touch Panel

Touch Technology	Projected Capacitive 10-Point Multitouch
Touch Connector	USB
Surface Hardness	7h

External Connectors

12v DC IN	x1	HDMI IN	x1
USB	x1	VGA	X1
Audio I/O	x1		

Power

Power Supply	100-240V AC;
Working Power (V)	12
Power Consumption (W)	<20
Stand-By Consumption (W)	<1

Operation

Operating Temperature (°C)	0°C-50°C
Humidity Range (RH)	0% - 90%
Net weight (kg)	3.8kg
Gross weight (kg)	5.95kg
Housing material	Sheet Metal
Housing (mm) L × W × H	450.5*275*40
Mounting	100*100

Included in the Delivery

Manual	x1	Power Supply	x1
Wall mount bracket	x1	USB CABLE+HDMI CABLE	X1

Installation



21.5" Touch Monitor

TD215E

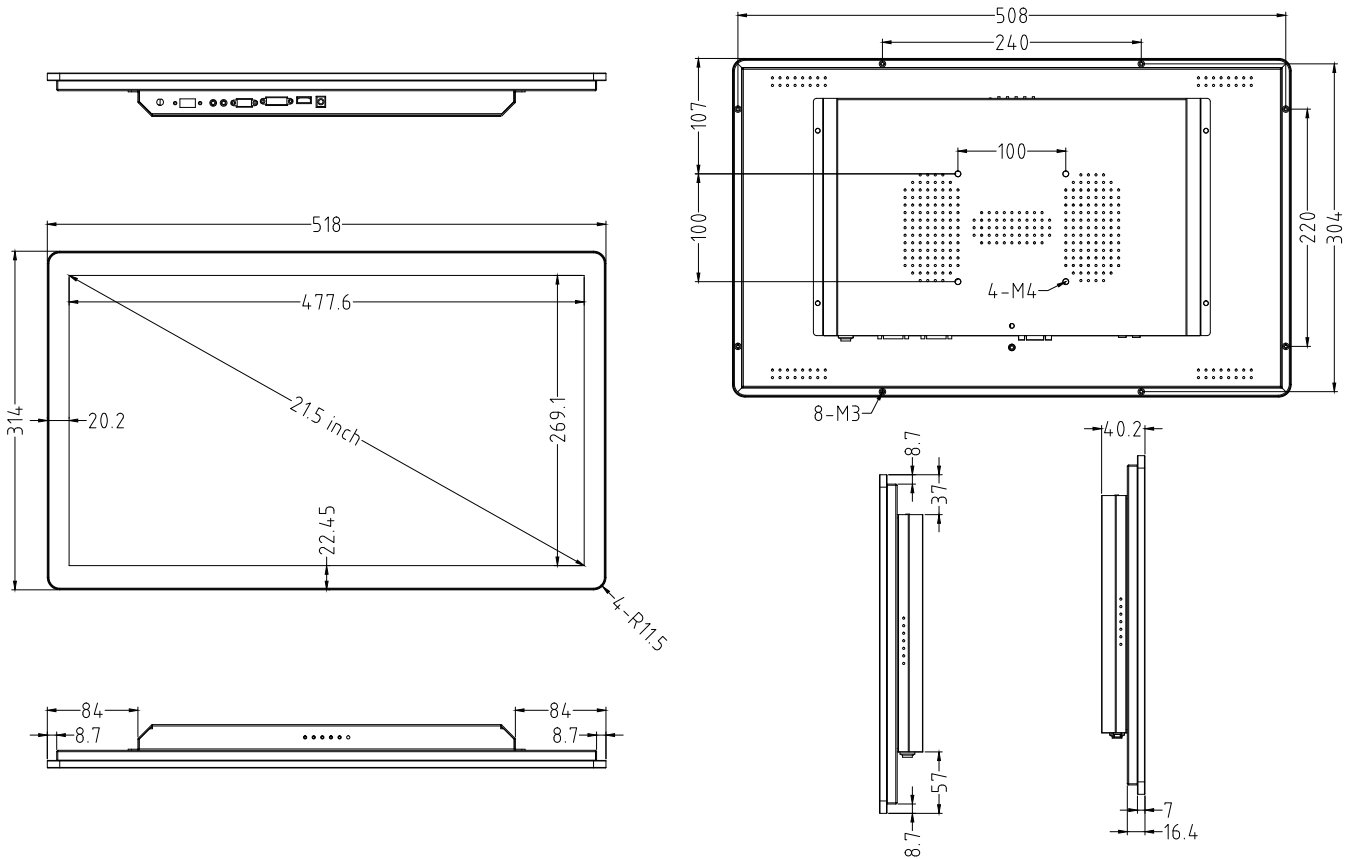


FHD display

pure and natural color

Sheet metal Chassis

corrosion and oxidation resistance



LCD Panel

IP Rating	IP65 Front
Screen diagonal	21.5inch
Display active screen size	477.6(W)*269.1(H)
Aspect ratio	16:9
Physical resolution	1920*1080
Colours displayed	16.7M
Brightness (cd/m2)	300
Contrast	1000:1
Visual Angle H/V (°)	175/175
Backlight Lifetime (hours)	LED 30,000

Touch Panel

Touch Technology	Projected Capacitive 10-Point Multitouch
Touch Connector	USB
Surface Hardness	7h

External Connectors

12v DC IN	x1	HDMI IN	x1
USB	x1	VGA	X1
Audio I/O	x1		

Power

Power Supply	100-240V AC;
Working Power (V)	12
Power Consumption (W)	<20
Stand-By Consumption (W)	<1

Operation

Operating Temperature (°C)	0°C-50°C
Humidity Range (RH)	0% - 90%
Net weight (kg)	4.9kg
Gross weight (kg)	7.1kg
Housing material	Sheet Metal
Housing (mm) L × W × H	518*314*40.2
Mounting	100*100

Included in the Delivery

Manual	x1	Power Supply	x1
Wall mount bracket	x1	USB CABLE+HDMI CABLE	X1

Installation



21.5" Touch Monitor | HD215

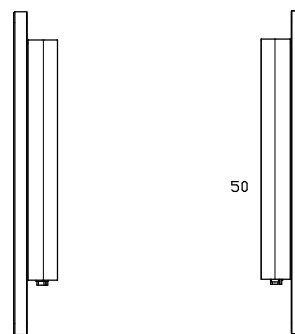
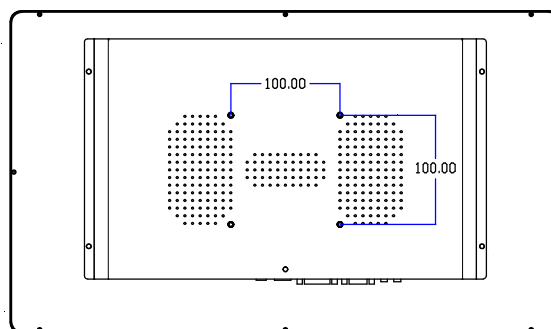
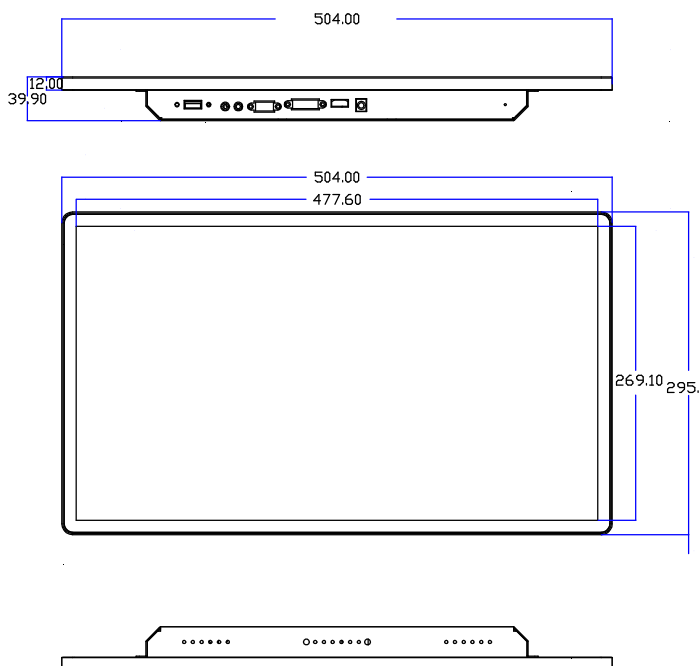


FHD display

pure and natural color

Sheet metal Chassis

corrosion and oxidation resistance



LCD Panel

IP Rating	IP65 Front
Screen diagonal	21.5inch
Display active screen size	477.6 (W)*269.1 (H)
Aspect ratio	16:9
Physical resolution	1920*1080
Colours displayed	16.7M
Brightness (cd/m ²)	300
Contrast	1000:1
Visual Angle H/V (°)	175/175
Backlight Lifetime (hours)	LED / 30,000

Touch Panel

Touch Technology	Projected Capacitive 10-Point Multitouch
Touch Connector	USB
Surface Hardness	6h

External Connectors

12v DC IN	x1	HDMI IN	x1
USB	x1	VGA	X1
Audio I/O	x1		

Power

Power Supply	100-240V AC;
Working Power (V)	12
Power Consumption (W)	<20
Stand-By Consumption (W)	<1

Operation

Operating Temperature (°C)	-10°C-60°C
Humidity Range (RH)	0% - 90%
Net weight (kg)	4.86kg
Gross weight (kg)	6.78kg
Housing material	Sheet Metal
Housing (mm) L × W × H	504*295.5*39.9
Mounting	100*100

Included in the Delivery

Manual	x1	Power Supply	x1
Wall mount bracket	x1	USB CABLE+HDMI CABLE	X1

Installation



23.8" Touch Monitor

TD238

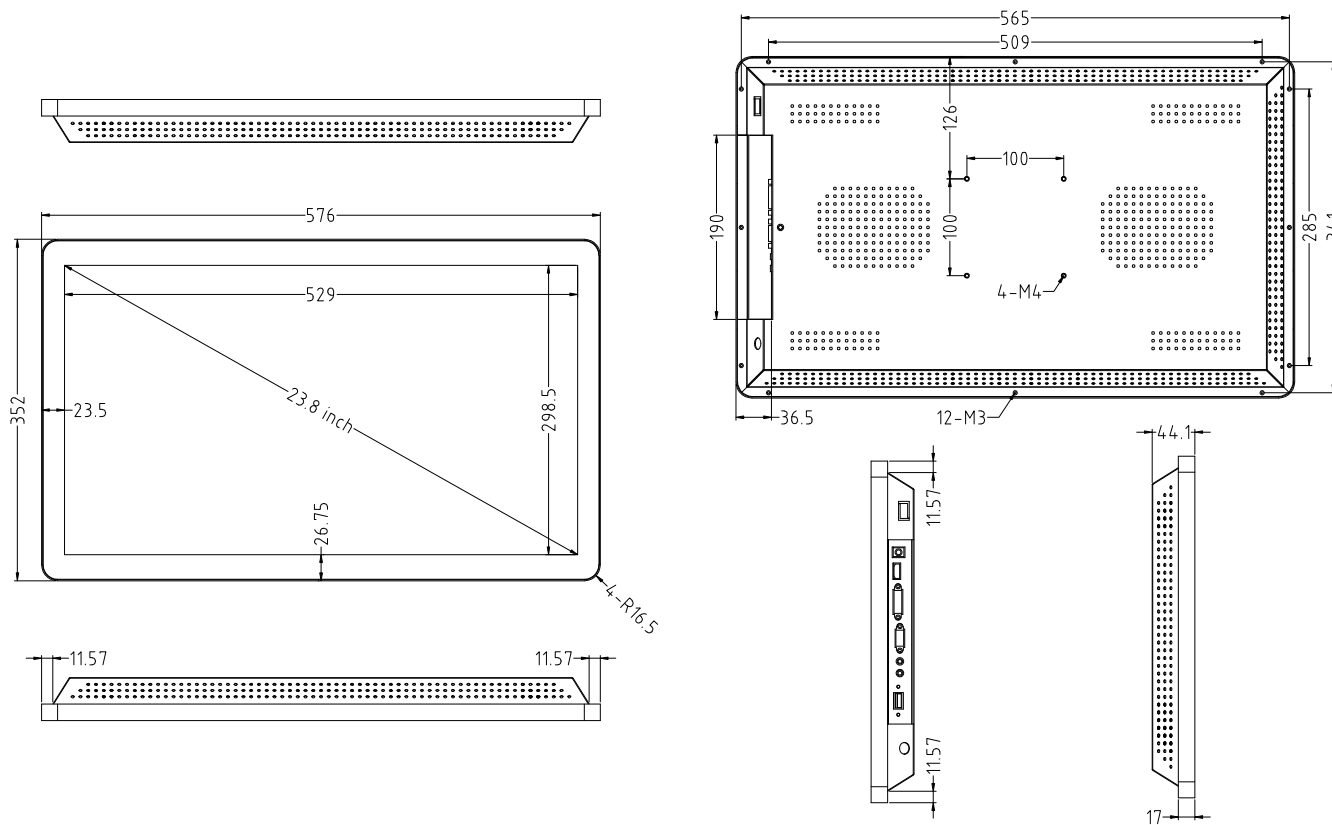


FHD display

pure and natural color

Sheet metal Chassis

corrosion and oxidation resistance



LCD Panel

IP Rating	IP65 Front
Screen diagonal	23.8inch
Display active screen size	529(W)*298.5 (H)
Aspect ratio	16:9
Physical resolution	1920*1080
Colours displayed	16.7M
Brightness (cd/m2)	250
Contrast	1000:1
Visual Angle H/V (°)	175/175
Backlight Lifetime (hours)	LED / 30,000

Touch Panel

Touch Technology	Projected Capacitive 10-Point Multitouch
Touch Connector	USB
Surface Hardness	7h

External Connectors

12v DC IN	x1	HDMI IN	x1
USB	x1	VGA	X1
Audio I/O	x1		

Power

Power Supply	100-240V AC;
Working Power (V)	12
Power Consumption (W)	<20
Stand-By Consumption (W)	<1

Operation

Operating Temperature (°C)	0°C-50°C
Humidity Range (RH)	0% - 90%
Net weight (kg)	7.98kg
Gross weight (kg)	10.2kg
Housing material	Sheet Metal
Housing (mm) L × W × H	576*352*44.1
Mounting	100*100

Included in the Delivery

Manual	x1	Power Supply	x1
Wall mount bracket	x1	USB CABLE+HDMI CABLE	X1

Installation



27" Touch Monitor

TD270

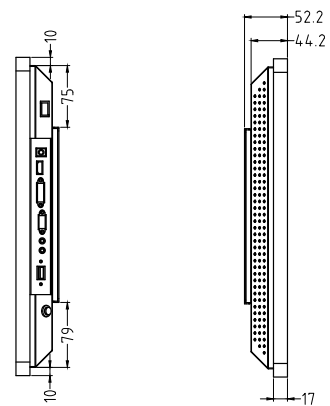
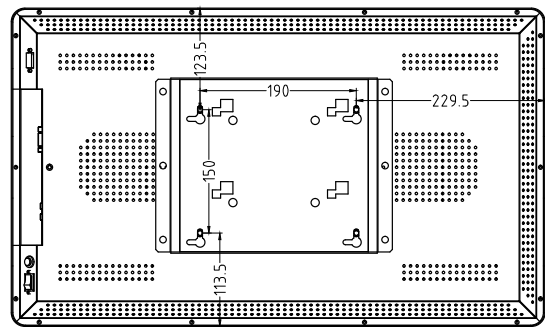
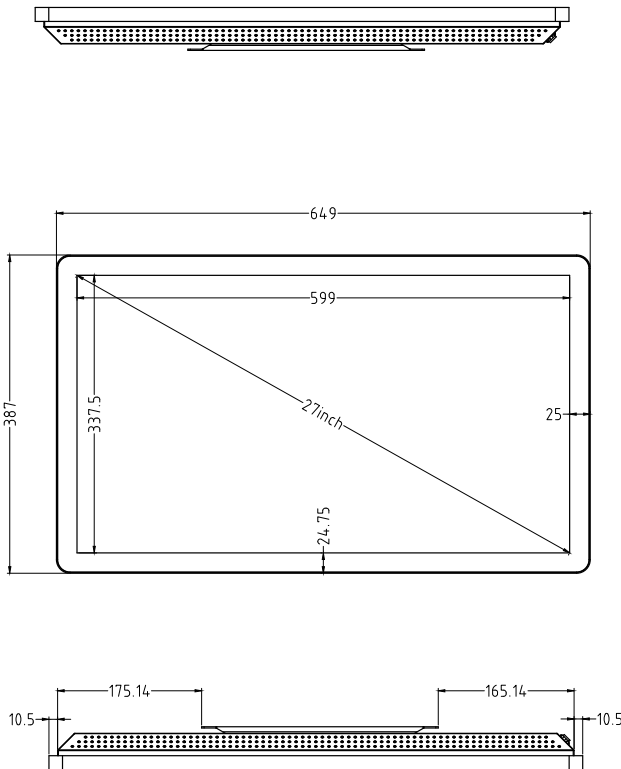


FHD display

pure and natural color

Sheet metal Chassis

corrosion and oxidation resistance



LCD Panel

IP Rating	IP65 Front
Screen diagonal	27inch
Display active screen size	599(W)*337.5 (H)
Aspect ratio	16:9
Physical resolution	1920*1080
Colours displayed	16.7M
Brightness (cd/m2)	250
Contrast	1000:1
Visual Angle H/V (°)	175/175
Backlight Lifetime (hours)	LED / 30,000

Touch Panel

Touch Technology	Projected Capacitive 10-Point Multitouch
Touch Connector	USB
Surface Hardness	7h

External Connectors

12v DC IN	x1	HDMI IN	x1
USB	x1	VGA	X1
Audio I/O	x1		

Power

Power Supply	100-240V AC;
Working Power (V)	12
Power Consumption (W)	<20
Stand-By Consumption (W)	<1

Operation

Operating Temperature (°C)	0°C-50°C
Humidity Range (RH)	0% - 90%
Net weight (kg)	9.7kg
Gross weight (kg)	15.6kg
Housing material	Sheet Metal
Housing (mm) L × W × H	648*387*44.2
Mounting	100*100

Included in the Delivery

Manual	x1	Power Supply	x1
Wall mount bracket	x1	USB CABLE+HDMI CABLE	X1

Installation



32" Touch Monitor

HD32

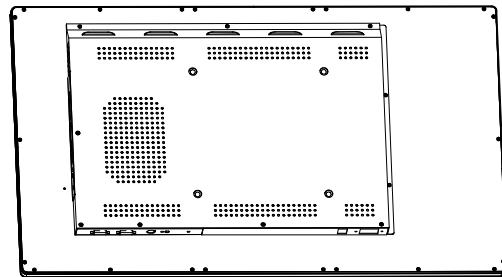
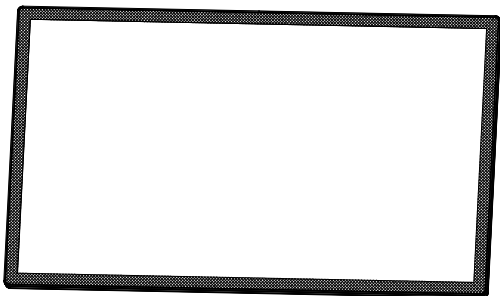
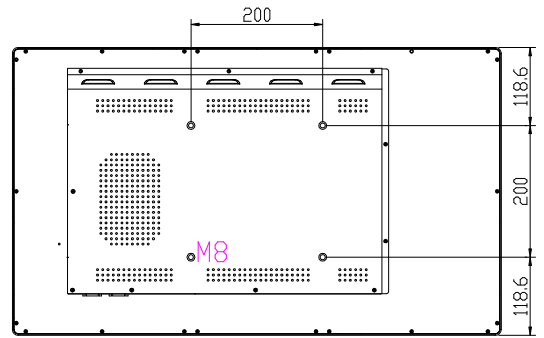
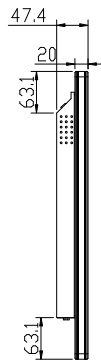
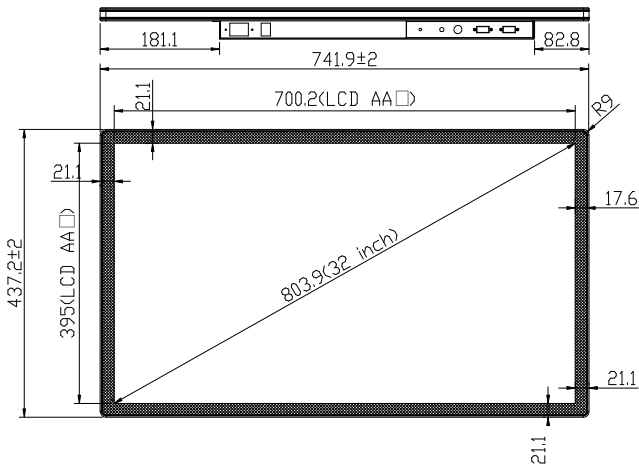


FHD display

pure and natural color

Sheet metal Chassis

corrosion and oxidation resistance



LCD Panel

IP Rating	IP65 Front
Screen diagonal	32inch
Display active screen size	700.2(W)*395(H)mm
Aspect ratio	16:9
Physical resolution	1920*1080
Colours displayed	16.7M
Brightness (cd/m2)	300-350
Contrast	1000:1
Visual Angle H/V (°)	175/175
Backlight Lifetime (hours)	LED 30,000

Touch Panel

Touch Technology	Projected Capacitive 10-Point Multitouch
Touch Connector	USB
Surface Hardness	7h

External Connectors

12v DC IN	x1	HDMI IN	x1
USB	x1	VGA	X1
Audio I/O	x1		

Power

Power Supply	100-240V AC;
Working Power (V)	12
Power Consumption (W)	<20
Stand-By Consumption (W)	<1

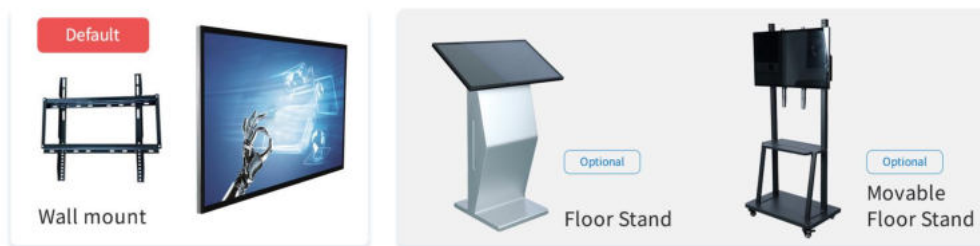
Operation

Operating Temperature (°C)	-10°C-60°C
Humidity Range (RH)	0% - 90%
Net weight (kg)	11.3kg
Gross weight (kg)	15.7kg
Housing material	Sheet Metal
Housing (mm) L × W × H	741.4*436.2*47.4
Mounting	200*200

Included in the Delivery

Manual	x1	Power Supply	x1
Wall mount bracket	x1	USB CABLE+HDMI CABLE	X1

Installation



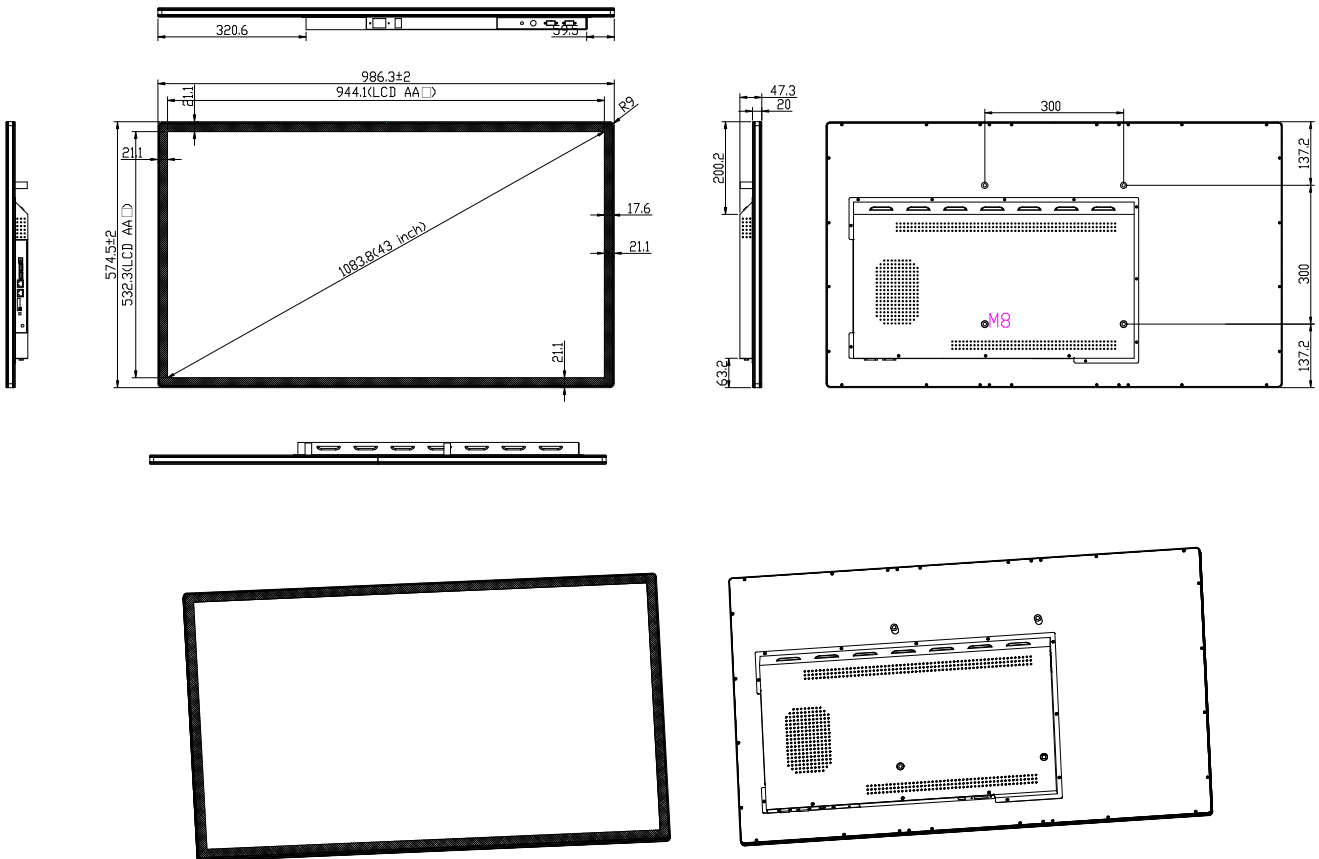
43" Touch Monitor

HD43



FHD display
pure and natural color

Industrial Touch Panel
Self-developed TP-ilitek&EETI



LCD Panel

IP Rating	IP65 Front
Screen diagonal	43inch
Display active screen size	944.1(W)*532.3(H)
Aspect ratio	16:9
Physical resolution	1920*1080
Colours displayed	16.7M
Brightness (cd/m2)	300-350
Contrast	1000:1
Visual Angle H/V (°)	175/175
Backlight Lifetime (hours)	LED 30,000

Touch Panel

Touch Technology	Projected Capacitive 10-Point Multitouch
Touch Connector	USB
Surface Hardness	7h

External Connectors

12v DC IN	x1	HDMI IN	x1
USB	x1	VGA	X1
Audio I/O	x1		

Power

Power Supply	100-240V AC;
Working Power (V)	12
Power Consumption (W)	<20
Stand-By Consumption (W)	<1

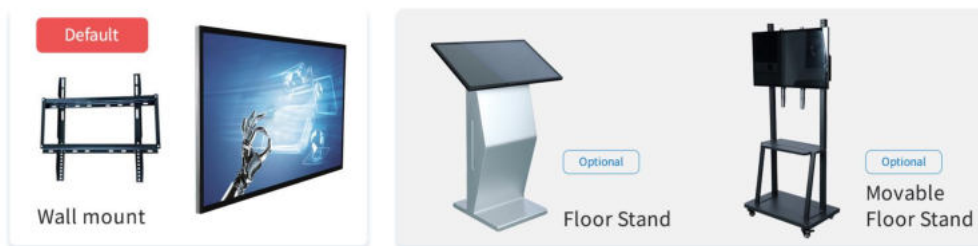
Operation

Operating Temperature (°C)	0°C-50°C
Humidity Range (RH)	10% - 90%
Net weight (kg)	17.6kg
Gross weight (kg)	22kg
Housing material	Sheet Metal
Housing (mm) L × W × H	986.3*574.5*47.3
Mounting	300*300

Included in the Delivery

Manual	x1	Power Supply	x1
Wall mount bracket	x1	USB CABLE+HDMI CABLE	X1

Installation





Embedded



A robust windows PC with easy-installation design for embedded, is equipped with 6mm thick metal frame protection around. So DM series could achieve front face IP65 water proof after it works on your enclosure.

It adapts configuration from beginner to high-end, Celeron J1900 to i7 8Gen. Optional with feature fanless and with fan.

Device is authorized by Microsoft, being with Windows LTSC enterprise version. 100% compliance with no legal risk.

DM series is built to be the reliable brain of your equipment!

Panel PC

10.1" Embedded Panel PC | DM101B

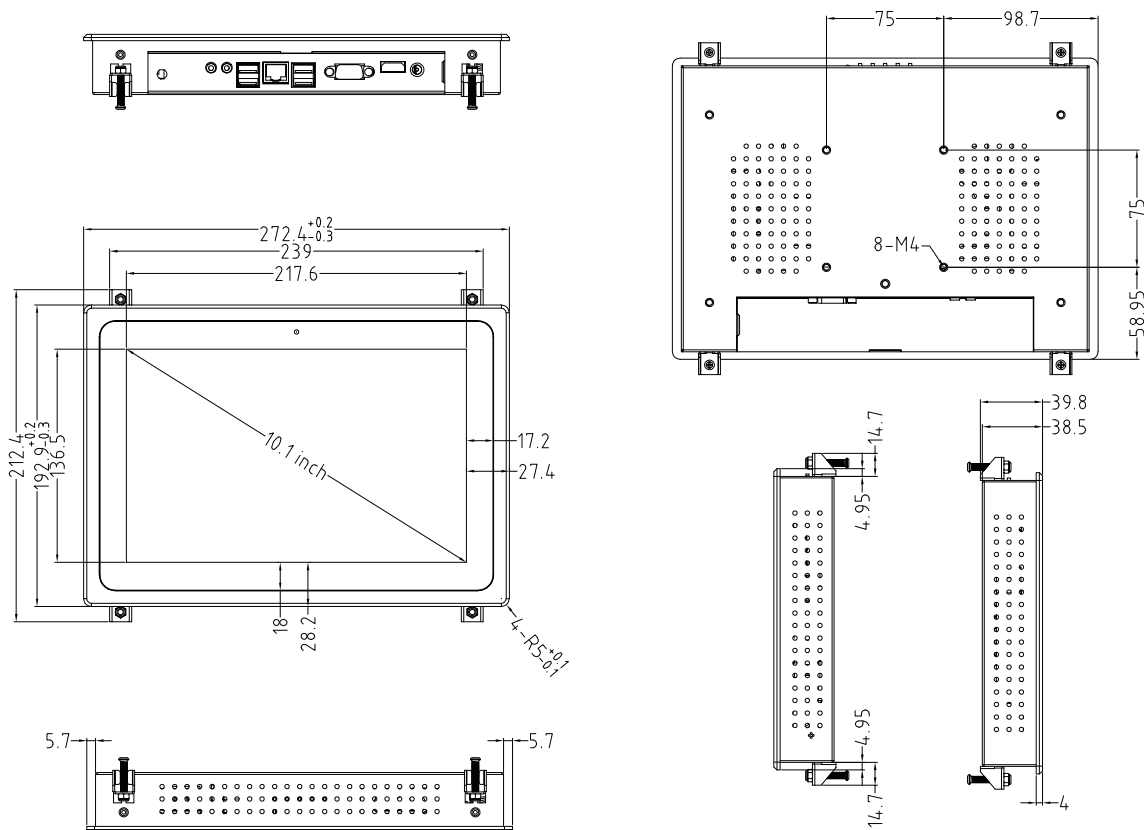


Versatile PC options

N5095 - i5 11gen

Robust Built

3mm Tempered Glass + 6mm Aluminum Frame



PC System

CPU	Intel® Celeron® Processor N5095	Intel core i3/i5 optional
Graphic GPU	Intel® UHD Graphics	Intel® UHD Graphics
Audio	HD Audio	HD Audio
Memory	Netac-DDR4-2666MHz-SODIMM-8G	8G Optional
Storage	Foresee mSATA-128GB	32GB/64GB/256GB/512GB
Network	WIFI-NE238H-2.4G	Wifi 5G/BLE 5.1 optional
Pre-installed OS	Windows 10 Enterprise 2019 LTSC	Windows 10 Enterprise 2019 LTSC

LCD Panel

IP Rating	IP65 Front
Screen diagonal	10.1inch
Active screen size	217.6*136.5 mm
Aspect ratio	16:10
Physical resolution	1280*800
Colours displayed	16.7M <EDP 30 Pins>
Brightness (cd/m2)	≥250cd
Contrast	1000:1
Visual Angle H/V (°)	85/85/85/85 (Typ.)(CR≥10)
Backlight Lifetime	LED 15,000

Power

Power Supply	100-240V AC;
Working Power (V)	12
Power Consumption (W)	<36
Stand-By Consumption (W)	<1

External Connectors

12v DC IN	x1	HDMI	x1
COM RS232	x1	USB 3.0	X1
RJ45 Ports	x1	F_Mic	x1
F_OUT	x1	USB 2.0	X3

Operation

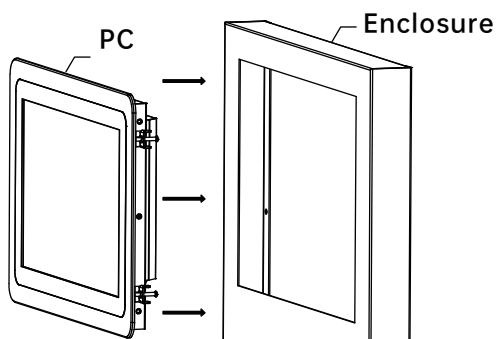
Operating Temperature (°C)	0°C-50°C
Humidity Range (RH)	0% - 90%
Net weight (kg)	1.77kg
Gross weight (kg)	2.88kg
Housing material	Sheet Metal
Housing (mm) L × W × H	272.4*192.9*38.5
Mounting	75*75

Touch Panel

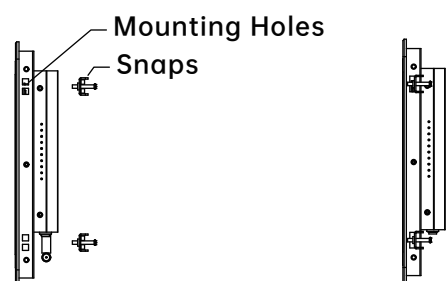
Touch Technology	Projected Capacitive
Touch Connector	USB
Surface Hardness	7

Included in the Delivery

Manual	x1	Power Supply	x1
Mounting Snaps	X4	WIFI antenna	X1



Step 1: Settle the PC from outside to inside of the enclosure.



Step 2: Fix the snaps on the mounting holes of the PC, and tighten the snaps with screwdriver.

10.4" Embedded Panel PC | DM104NB

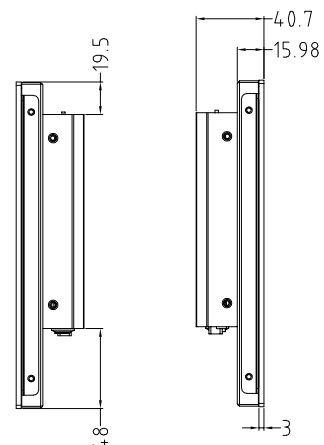
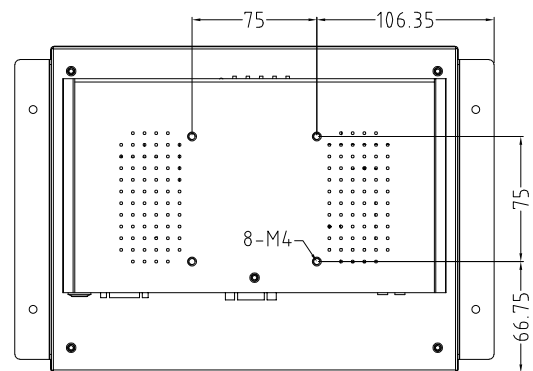
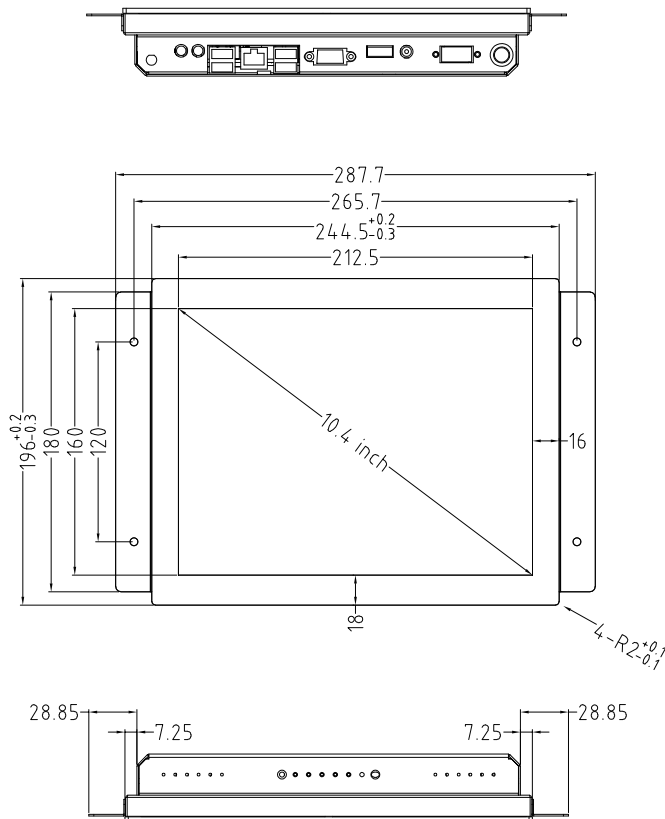


Versatile PC options

N5095 - i5 11gen

Robust Built

3mm Tempered Glass + 6mm Aluminum Frame



PC System

CPU	Intel® Celeron® Processor N5095	Intel core i3/i5 optional
Graphic GPU	Intel® UHD Graphics	Intel® UHD Graphics
Audio	HD Audio	HD Audio
Memory	Netac-DDR4-2666MHz-SODIMM-8G	8G Optional
Storage	Foresee mSATA-128GB	32GB/64GB/256GB/512GB
Network	WIFI-NE238H-2.4G	Wifi 5G/BLE 5.1 optional
Pre-installed OS	Windows 10 Enterprise 2019 LTSC	Windows 10 Enterprise 2019 LTSC

LCD Panel

IP Rating	IP65 Front
Screen diagonal	10.4inch
Active screen size	212.5 (W)*160 (H)
Aspect ratio	4:3
Physical resolution	1024*768
Colours displayed	16.7M , 60% NTSC
Brightness (cd/m2)	250
Contrast	1000:1
Visual Angle H/V (°)	175/175
Backlight Lifetime	LED / 30,000

Operation

Operating Temperature (°C)	0°C-50°C
Humidity Range (RH)	0% - 90%
Net weight (kg)	1.7kg
Gross weight (kg)	2.2kg
Housing material	Sheet Metal
Housing (mm) L × W × H	265*217*46.7
Mounting	75*75mm

Power

Power Supply	100-240V AC;
Working Power (V)	12
Power Consumption (W)	<36
Stand-By Consumption (W)	<1

Touch Panel

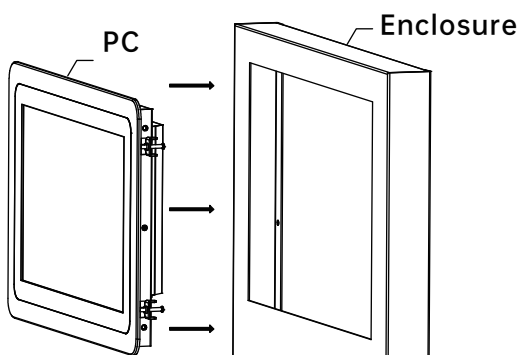
Touch Technology	Projected Capacitive
Touch Connector	USB
Surface Hardness	7

External Connectors

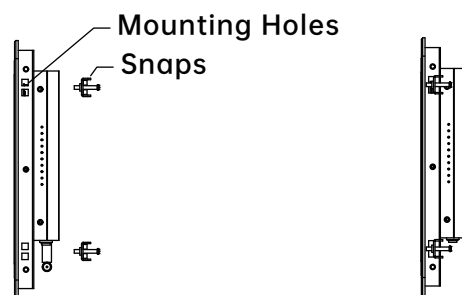
12v DC IN	x1	HDMI	x1
COM RS232	x1	USB 3.0	X1
RJ45 Ports	x1	F_Mic	x1
F_OUT	x1	USB 2.0	X3

Included in the Delivery

Manual	x1	Power Supply	x1
Mounting Snaps	X4	WIFI antenna	X1



Step 1: Settle the PC from outside to inside of the enclosure.



Step 2: Fix the snaps on the mounting holes of the PC ,and tighten the snaps with screwdriver.

15.6" Embedded Panel PC | DM156B

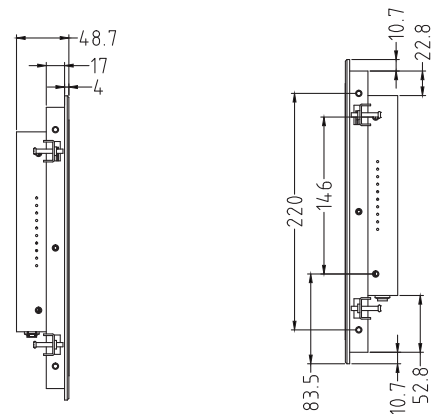
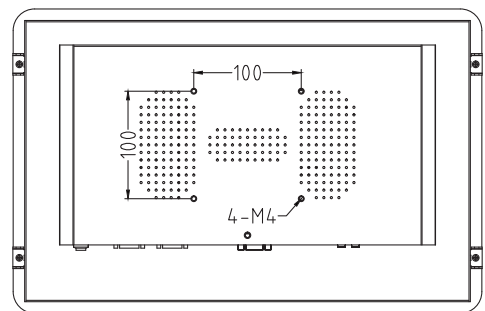
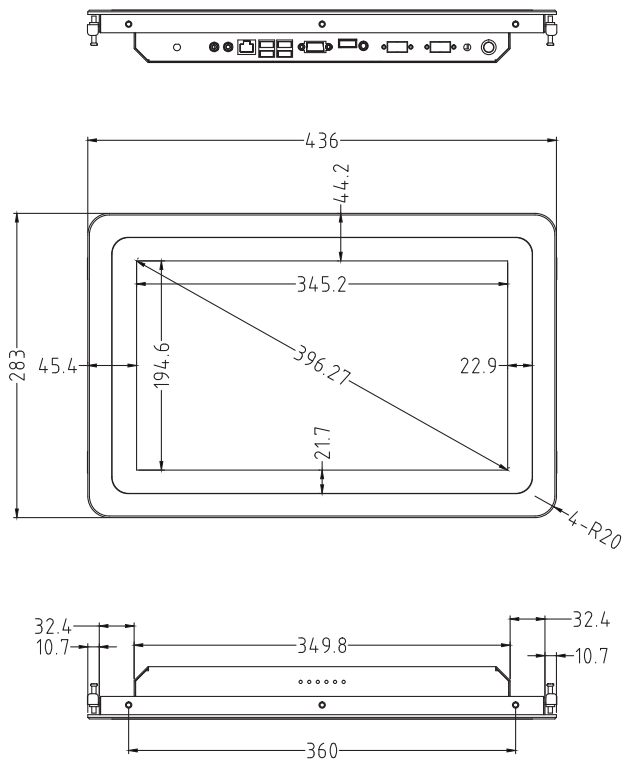


Versatile PC options

J1900 - i7 8gen

Robust Built

3mm Tempered Glass + 6mm Aluminum Frame



PC System

CPU	Intel® Celeron® Processor J4125	Intel core i3/i5/i7 optional
Graphic GPU	Intel® UHD Graphics	Intel® UHD Graphics
Audio	HD Audio	HD Audio
Memory	Netac-DDR4-2666MHz-SODIMM-8G	8G Optional
Storage	Foresee mSATA-128GB	32GB/64GB/256GB/512GB
Network	WIFI-NE238H-2.4G	Wifi 5G/BLE 5.1 optional
Pre-installed OS	Windows 10 Enterprise 2019 LTSC	Windows 10 Enterprise 2019 LTSC

LCD Panel

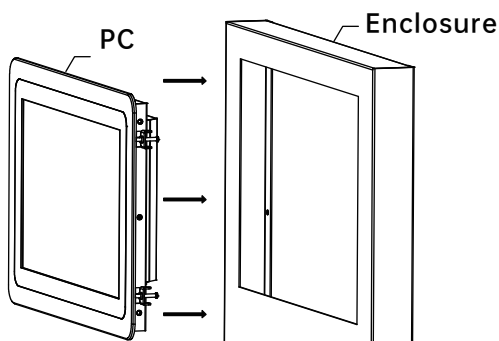
IP Rating	IP65 Front
Screen diagonal	15.6inch
Display active screen size (mm)	345.2(W)*194.6(H)
Aspect ratio	16:9
Physical resolution	1920*1080
Colours displayed	16.7M
Brightness (cd/m2)	250
Contrast	1000:1
Visual Angle H/V (°)	175/175
Backlight Lifetime (hours)	LED 30,000

Power

Power Supply	100-240V AC;
Working Power (V)	12
Power Consumption (W)	<48
Stand-By Consumption (W)	<1

External Connectors

12v DC IN	x1	HDMI	x1
COM RS232	x1	USB 3.0	X1
RJ45 Ports	x1	F_Mic	x1
F_OUT	x1	USB 2.0	X3



Step 1: Settle the PC from outside to inside of the enclosure.

Operation

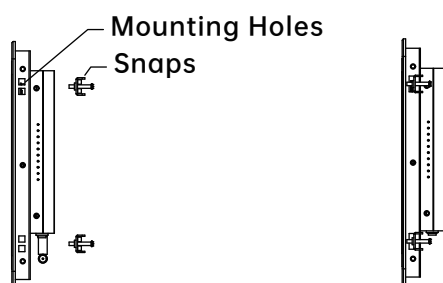
Operating Temperature (°C)	0°C-50°C
Humidity Range (RH)	0% - 90%
Net weight (kg)	2.8kg
Gross weight (kg)	4.2kg
Housing material	Sheet Metal
Housing (mm) L × W × H	436*283*48.7
Mounting	100*100

Touch Panel

Touch Technology	Projected Capacitive
Touch Connector	USB
Surface Hardness	7

Included in the Delivery

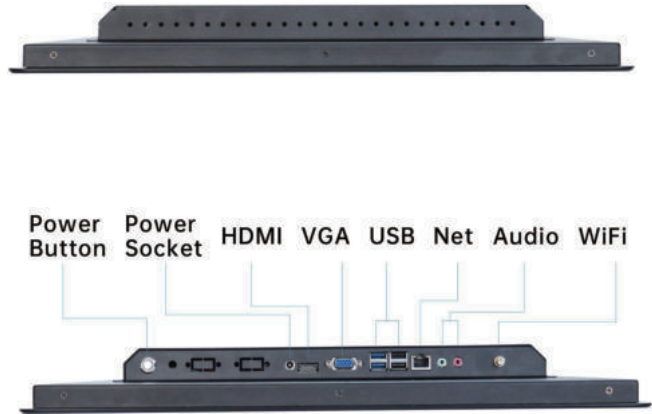
Manual	x1	Power Supply	x1
Mounting Snaps	X4	WIFI antenna	X1



Step 2: Fix the snaps on the mounting holes of the PC ,and tighten the snaps with screwdriver.

19" Embedded Panel PC |

DM19B

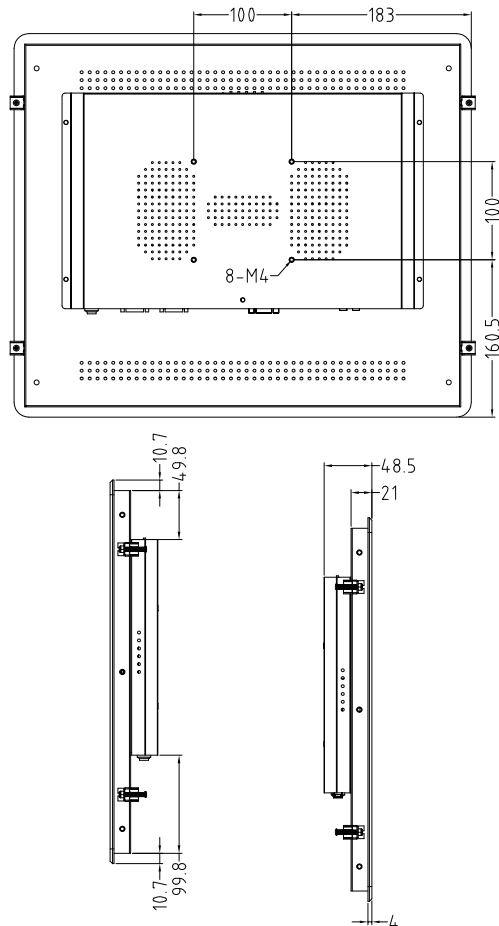
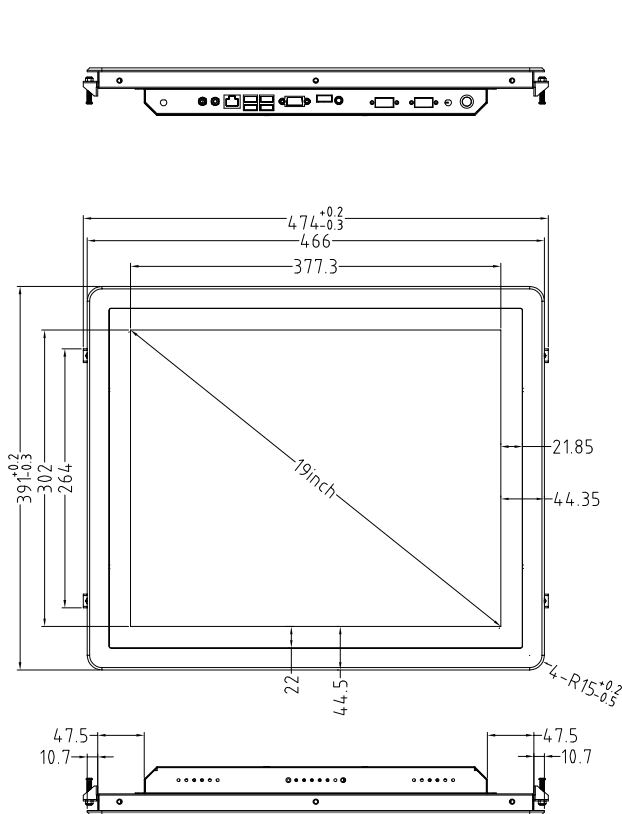


Versatile PC options

J1900 - i7 8gen

Robust Built

3mm Tempered Glass + 6mm Aluminum Frame



PC System

CPU	Intel® Celeron® Processor J4125	Intel core i3/i5/i7 optional
Graphic GPU	Intel® UHD Graphics	Intel® UHD Graphics
Audio	HD Audio	HD Audio
Memory	Netac-DDR4-2666MHz-SODIMM-8G	8G Optional
Storage	Foresee mSATA-128GB	32GB/64GB/256GB/512GB
Network	WIFI-NE238H-2.4G	Wifi 5G/BLE 5.1 optional
Pre-installed OS	Windows 10 Enterprise 2019 LTSC	Windows 10 Enterprise 2019 LTSC

LCD Panel

IP Rating	IP65 Front
Screen diagonal	19inch
Display active screen size (mm)	376(W)*301(H)mm
Aspect ratio	5:4
Physical resolution	1280*1024
Colours displayed	16.7M
Brightness (cd/m2)	300
Contrast	1000:1
Visual Angle H/V (°)	175/175
Backlight Lifetime (hours)	LED 30,000

Power

Power Supply	100-240V AC;
Working Power (V)	12
Power Consumption (W)	<48
Stand-By Consumption (W)	<1

External Connectors

12v DC IN	x1	HDMI	x1
COM RS232	x1	USB 3.0	X1
RJ45 Ports	x1	F_Mic	x1
F_OUT	x1	USB 2.0	X3

Operation

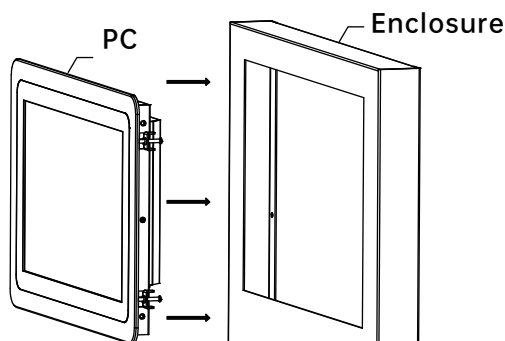
Operating Temperature (°C)	0°C-50°C
Humidity Range (RH)	0% - 90%
Net weight (kg)	6.6kg
Gross weight (kg)	8.4kg
Housing material	Sheet Metal
Housing (mm) L × W × H	466*391*49
Mounting	100*100

Touch Panel

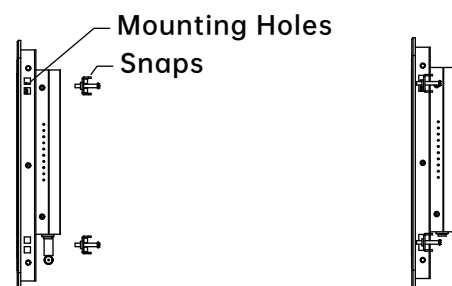
Touch Technology	Projected Capacitive
Touch Connector	USB
Surface Hardness	7

Included in the Delivery

Manual	x1	Power Supply	x1
Mounting Snaps	X4	WIFI antenna	X1



Step 1: Settle the PC from outside to inside of the enclosure.



Step 2: Fix the snaps on the mounting holes of the PC, and tighten the snaps with screwdriver.

21.5" Embedded Panel PC |

DM215B

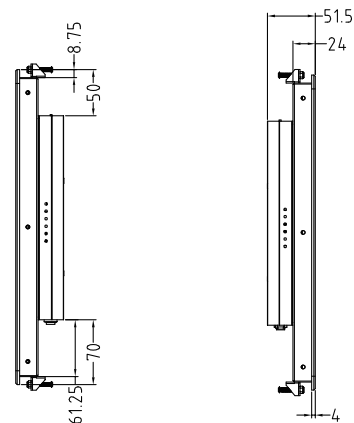
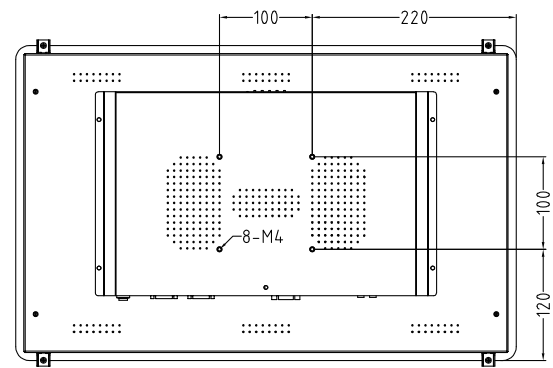
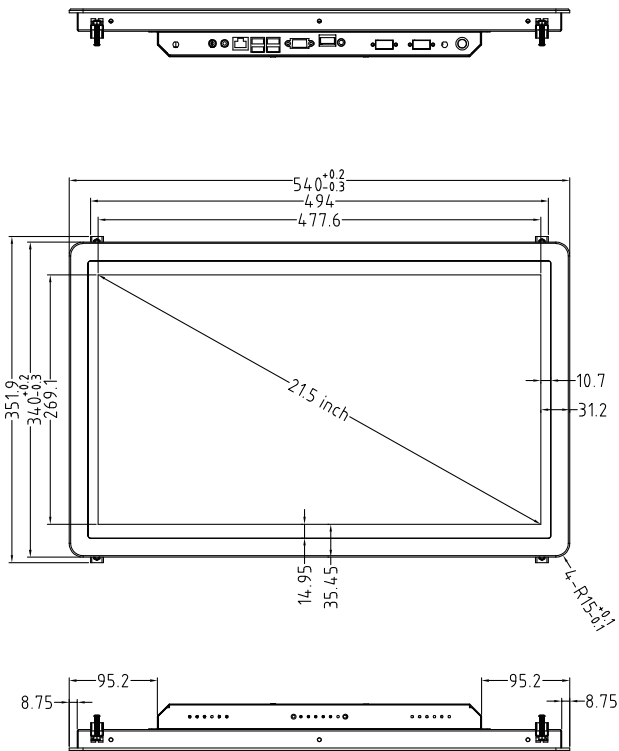


Versatile PC options

J1900 - i7 8gen

Robust Built

3mm Tempered Glass + 6mm Aluminum Frame



PC System

CPU	Intel® Celeron® Processor J4125	Intel core i3/i5/i7 optional
Graphic GPU	Intel® UHD Graphics	Intel® UHD Graphics
Audio	HD Audio	HD Audio
Memory	Netac-DDR4-2666MHz-SODIMM-8G	8G Optional
Storage	Foresee mSATA-128GB	32GB/64GB/256GB/512GB
Network	WIFI-NE238H-2.4G	Wifi 5G/BLE 5.1 optional
Pre-installed OS	Windows 10 Enterprise 2019 LTSC	Windows 10 Enterprise 2019 LTSC

LCD Panel

IP Rating	IP65 Front
Screen diagonal	21.5inch
Display active screen size (mm)	269.1(W)*477.6(H)
Aspect ratio	16:9
Physical resolution	1920*1080
Colours displayed	16.7M
Brightness (cd/m2)	250
Contrast	1000:1
Visual Angle H/V (°)	175/175
Backlight Lifetime (hours)	LED 30,000

Power

Power Supply	100-240V AC;
Working Power (V)	12
Power Consumption (W)	<60
Stand-By Consumption (W)	<1

External Connectors

12v DC IN	x1	HDMI	x1
COM RS232	x1	USB 3.0	X1
RJ45 Ports	x1	F_Mic	x1
F_OUT	x1	USB 2.0	X3

Operation

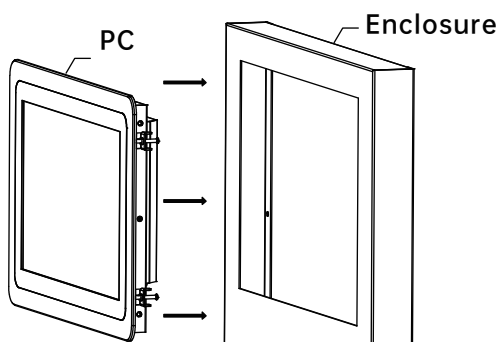
Operating Temperature (°C)	0°C-50°C
Humidity Range (RH)	0% - 90%
Net weight (kg)	5.4kg
Gross weight (kg)	7.6kg
Housing material	Sheet Metal
Housing (mm) L × W × H	540*340*51.5
Mounting	100*100

Touch Panel

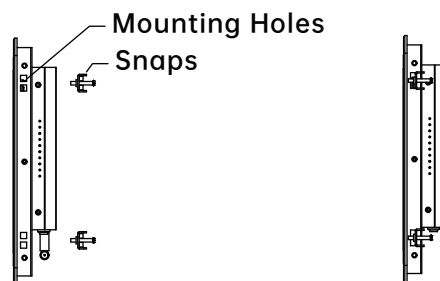
Touch Technology	Projected Capacitive
Touch Connector	USB
Surface Hardness	7

Included in the Delive

Manual	x1	Power Supply	x1
Mounting Snaps	X4	WIFI antenna	X1



Step 1: Settle the PC from outside to inside of the enclosure.



Step 2: Fix the snaps on the mounting holes of the PC, and tighten the snaps with screwdriver.



Embedded Touch



A robust touch monitor with easy-installation design for embedded, is equipped with 6mm thick metal frame protection around. So DM series could achieve front face IP65 water proof after it works on your enclosure.

The industrial grade Touch IC leads DM series touch monitor works reliably even in the cruel environment. Such as High static electricity, high electromagnetic interference, high temperature, low temperature.

Monitor

5" Touchscreen Monitor

DM050B

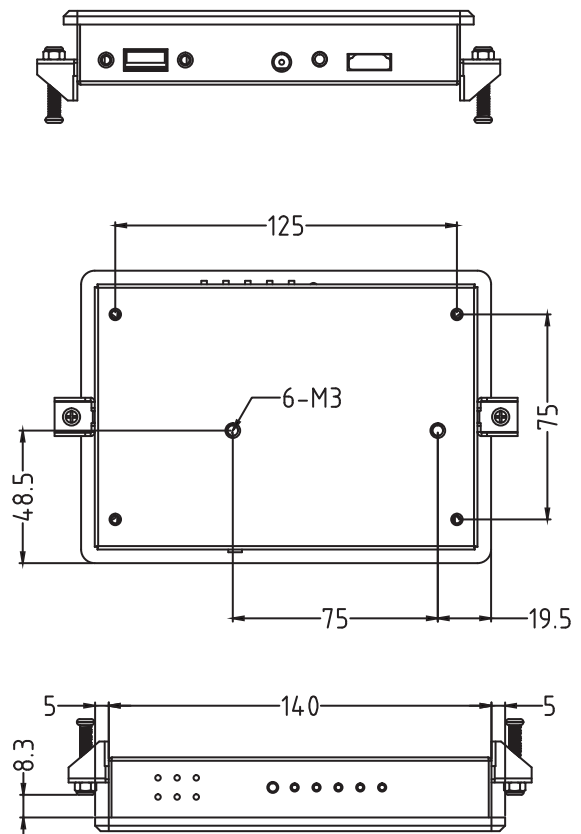
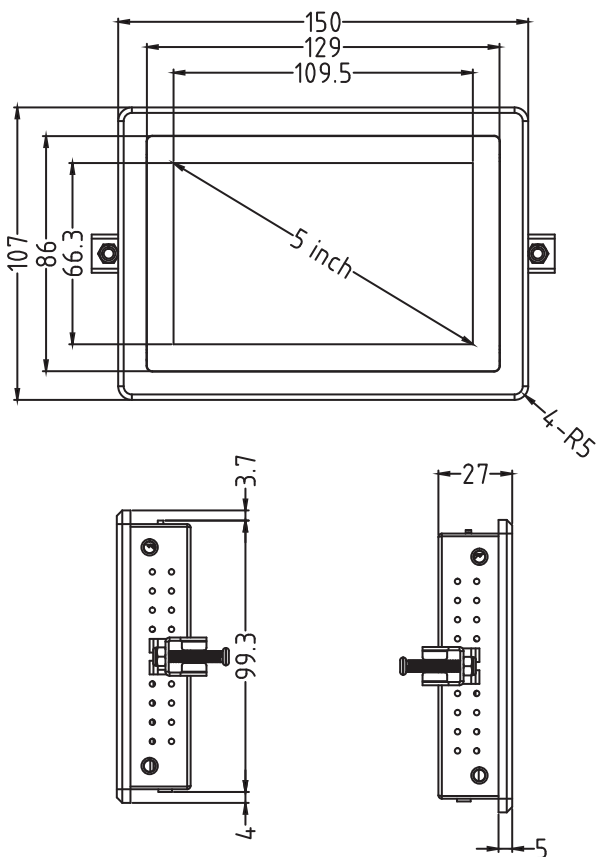


Robust Built

3mm Tempered Glass + 6mm Aluminum Frame

Sheet metal Chassis

corrosion and oxidation resistance



LCD Panel

IP Rating	IP65 Front
Screen diagonal	5inch
Display active screen size	109.5(W)*66.3 (H)
Aspect ratio	5:3
Physical resolution	800*480
Colours displayed	16M , RGB - 40 Pins
Brightness (cd/m2)	≥250cd/m2
Contrast	1000:1
Visual Angle H/V (°)	70/70/70/70 (Typ.)(CR≥10)
Backlight Lifetime (hours)	LED / 30,000

Touch Panel

Touch Technology	Projected Capacitive 10-Point Multitouch
Touch Connector	USB
Surface Hardness	7h

External Connectors

12v DC IN	x1	HDMI IN	x1
USB	x1	Audio	x1

Operation

Operating Temperature (°C)	0°C-50°C
Humidity Range (RH)	10% - 80%
Net weight (kg)	0.479KG
Gross weight (kg)	0.9kg
Housing material	Sheet Metal
Housing (mm) L × W × H	150*107*27
Mounting	125*75

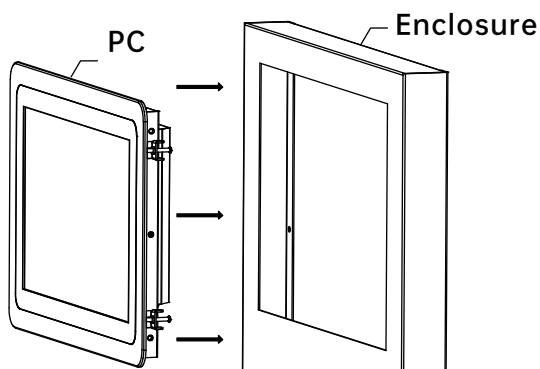
Power

Power Supply	100-240V AC;
Working Power (V)	12
Power Consumption (W)	<20
Stand-By Consumption (W)	<1

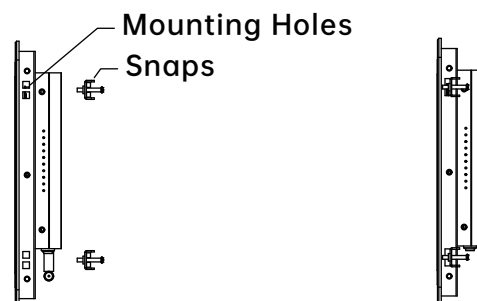
Included in the Delivery

Manual	x1	Power Supply	x1
Mounting	X4	USB CABLE+HDMI	X1
Snaps		CABLE	

Installation



Step 1: Settle the PC from outside to inside of the enclosure.



Step 2: Fix the snaps on the mounting holes of the PC, and tighten the snaps with screwdriver.

7" Touchscreen Monitor |

DM070B

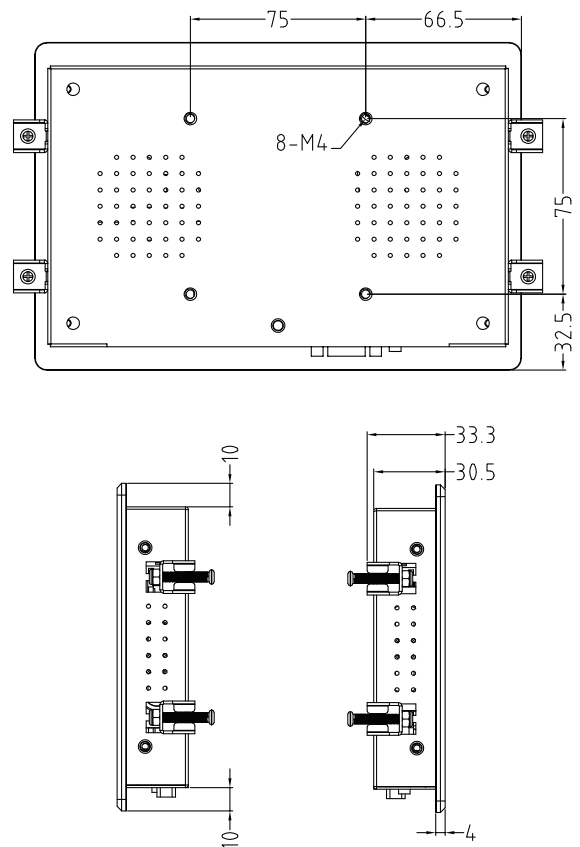
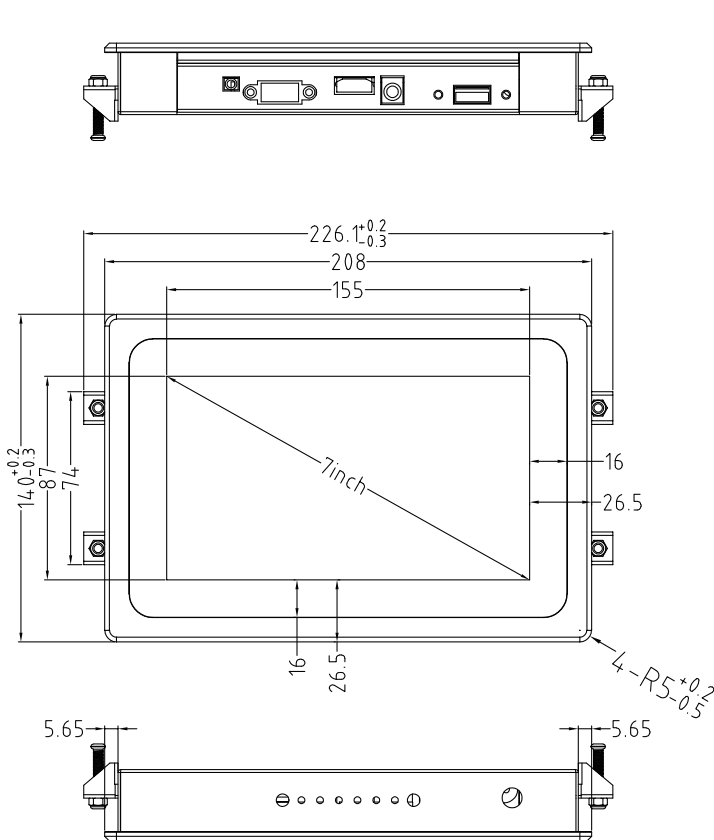


Robust Built

3mm Tempered Glass + 6mm Aluminum Frame

Sheet metal Chassis

corrosion and oxidation resistance



LCD Panel

IP Rating	IP65 Front
Screen diagonal	7inch
Display active screen size	155.5W* 87.5H
Aspect ratio	16:9
Physical resolution	1024*600
Colours displayed	16.7M , 50% (CIE1931)
Brightness (cd/m2)	250
Contrast	1000:1
Visual Angle H/V (°)	175/175
Backlight Lifetime (hours)	LED / 15,000

Touch Panel

Touch Technology	Projected Capacitive 10-Point Multitouch
Touch Connector	USB
Surface Hardness	7h

External Connectors

12v DC IN	x1	HDMI IN	x1
USB	x1	Audio	x1
VGA	x1		

Operation

Operating Temperature (°C)	0°C-50°C
Humidity Range (RH)	10% - 80%
Net weight (kg)	0.876KG
Gross weight (kg)	1.35kg
Housing material	Sheet Metal
Housing (mm) L × W × H	208*140*30.5
Mounting	75*75

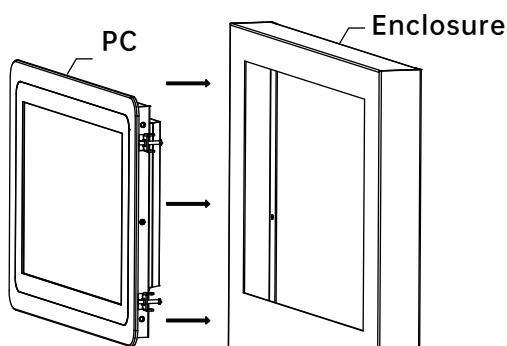
Power

Power Supply	100-240V AC;
Working Power (V)	12
Power Consumption (W)	<20
Stand-By Consumption (W)	<1

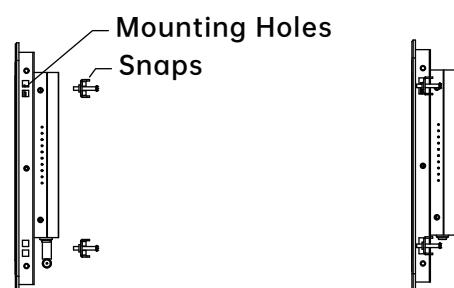
Included in the Delivery

Manual	x1	Power Supply	x1
Mounting	X4	USB CABLE+HDMI	X1
Snaps		CABLE	

Installation



Step 1: Settle the PC from outside to inside of the enclosure.



Step 2: Fix the snaps on the mounting holes of the PC ,and tighten the snaps with screwdriver.

LCD Panel

IP Rating	IP65 Front
Screen diagonal	10.1inch
Display active screen size	217.6*136.5 mm
Aspect ratio	16:10
Physical resolution	1280*800
Colours displayed	16.7M <EDP 30 Pins>
Brightness (cd/m2)	≥250cd
Contrast	1000:1
Visual Angle H/V (°)	85/85/85/85 (Typ.)(CR≥10)
Backlight Lifetime (hours)	LED 15,000

Touch Panel

Touch Technology	Projected Capacitive 10-Point Multitouch
Touch Connector	USB
Surface Hardness	7h

External Connectors

12v DC IN	x1	HDMI IN	x1
USB	x1	Audio I/O	x1
VGA	x1		

Operation

Operating Temperature (°C)	0°C-50°C
Humidity Range (RH)	0% - 90%
Net weight (kg)	1.77kg
Gross weight (kg)	2.88kg
Housing material	Sheet Metal
Housing (mm) L × W × H	272.4*192.9*38.5
Mounting	75*75

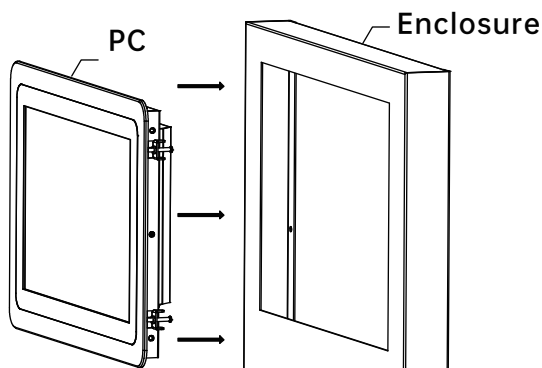
Power

Power Supply	100-240V AC;
Working Power (V)	12
Power Consumption (W)	<20
Stand-By Consumption (W)	<1

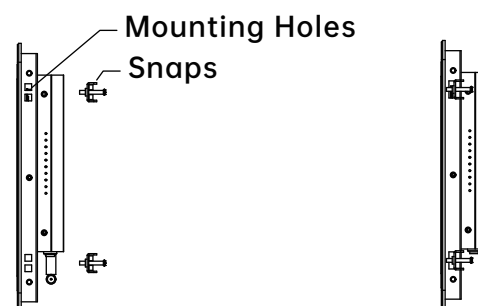
Included in the Delivery

Manual	x1	Power Supply	x1
Mounting	X4	USB CABLE+HDMI	X1
Snaps		CABLE	

Installation



Step 1: Settle the PC from outside to inside of the enclosure.



Step 2: Fix the snaps on the mounting holes of the PC, and tighten the snaps with screwdriver.

10.4" Touchscreen Monitor

DM104NB

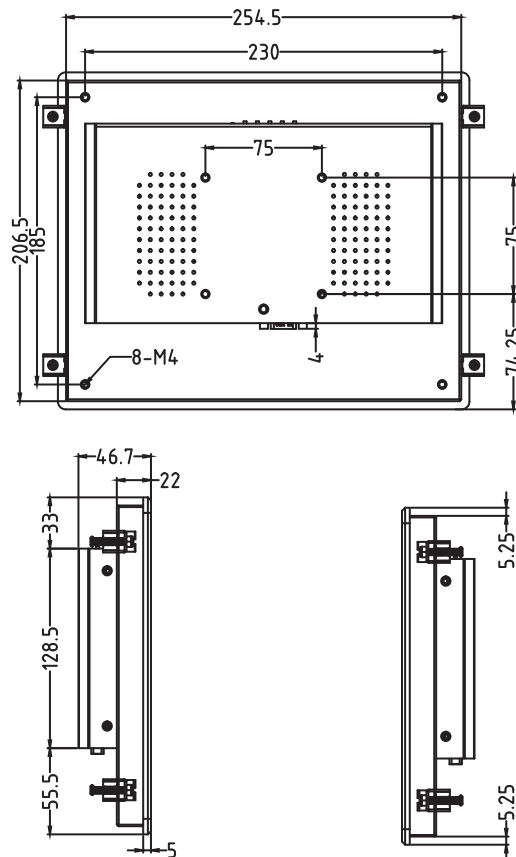
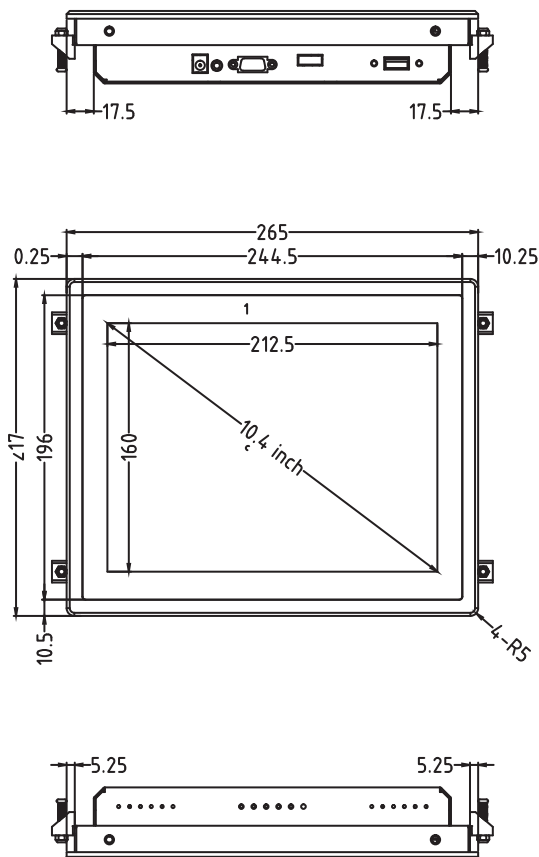


Robust Built

3mm Tempered Glass + 6mm Aluminum Frame

Sheet metal Chassis

corrosion and oxidation resistance



LCD Panel

IP Rating	IP65 Front
Screen diagonal	10.4inch
Display active screen size	212.5 (W)*160 (H)
Aspect ratio	4:3
Physical resolution	1024*768
Colours displayed	16.7M , 60% NTSC
Brightness (cd/m2)	250
Contrast	1000:1
Visual Angle H/V (°)	175/175
Backlight Lifetime (hours)	LED / 30,000

Touch Panel

Touch Technology	Projected Capacitive 10-Point Multitouch
Touch Connector	USB
Surface Hardness	7h

External Connectors

12v DC IN	x1	HDMI IN	x1
USB	x1	Audio I/O	x1
VGA	x1		

Operation

Operating Temperature (°C)	0°C-50°C
Humidity Range (RH)	0% - 90%
Net weight (kg)	1.7kg
Gross weight (kg)	2.2kg
Housing material	Sheet Metal
Housing (mm) L × W × H	265*217*46.7
Mounting	75*75mm

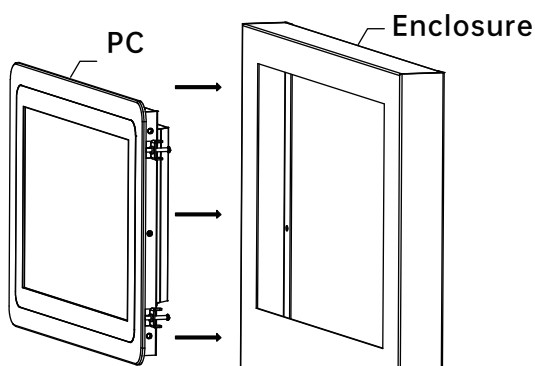
Power

Power Supply	100-240V AC;
Working Power (V)	12
Power Consumption (W)	<20
Stand-By Consumption (W)	<1

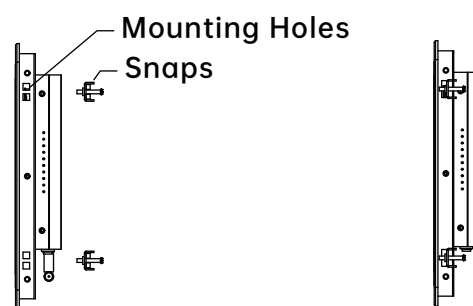
Included in the Delivery

Manual	x1	Power Supply	x1
Mounting	X4	USB CABLE+HDMI	X1
Snaps		CABLE	

Installation



Step 1: Settle the PC from outside to inside of the enclosure.



Step 2: Fix the snaps on the mounting holes of the PC, and tighten the snaps with screwdriver.

15.6" Touchscreen Monitor |

DM156B

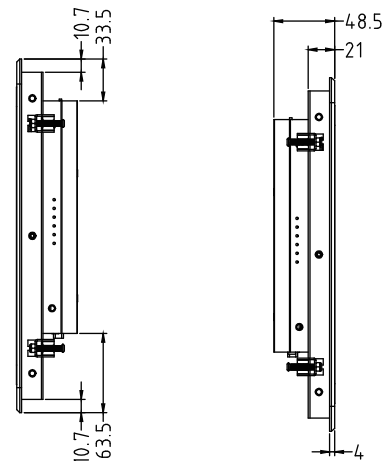
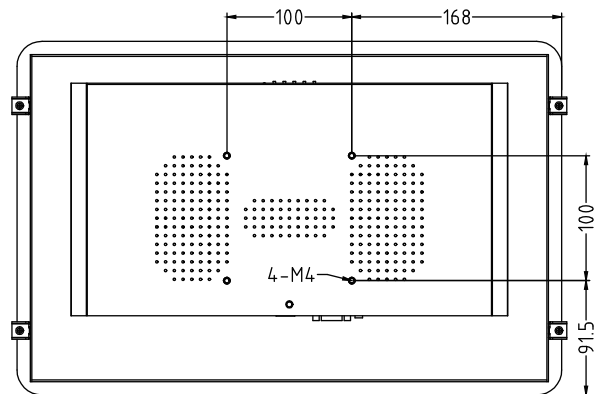
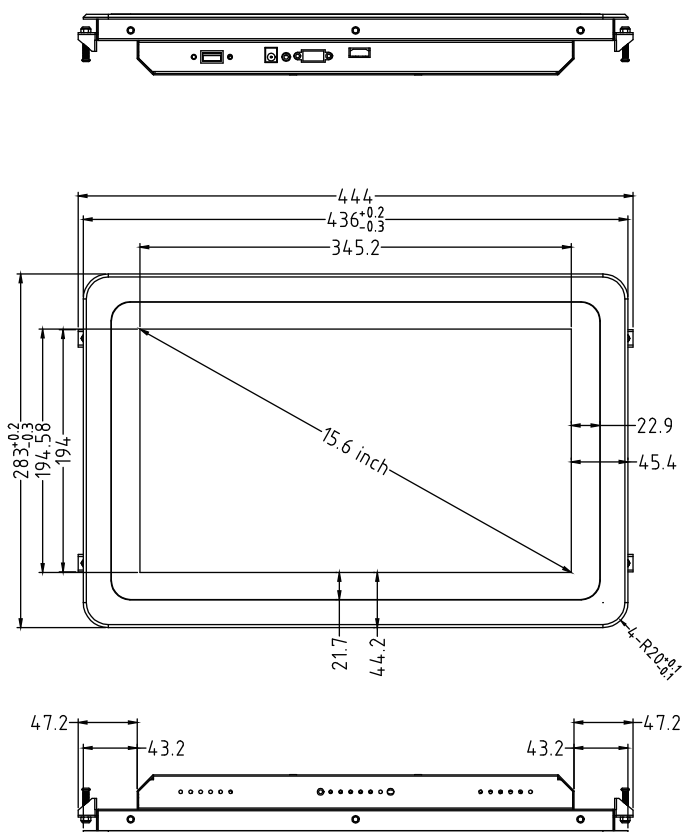


Robust Built

3mm Tempered Glass + 6mm Aluminum Frame

Sheet metal Chassis

corrosion and oxidation resistance



LCD Panel

IP Rating	IP65 Front
Screen diagonal	15.6inch
Display active screen size	345.2(W)*194.6(H)
Aspect ratio	16:9
Physical resolution	1920*1080
Colours displayed	16.7M
Brightness (cd/m2)	250
Contrast	1000:1
Visual Angle H/V (°)	175/175
Backlight Lifetime (hours)	LED 15,000

Touch Panel

Touch Technology	Projected Capacitive 10-Point Multitouch
Touch Connector	USB
Surface Hardness	7h

External Connectors

12v DC IN	x1	HDMI IN	x1
USB	x1	Audio	x1
VGA	x1		

Power

Power Supply	100-240V AC;
Working Power (V)	12
Power Consumption (W)	<20
Stand-By Consumption (W)	<1

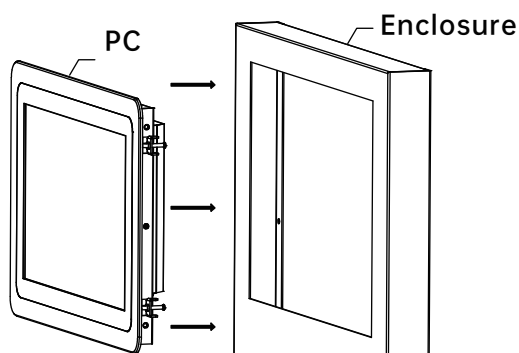
Operation

Operating Temperature (°C)	0°C-50°C
Humidity Range (RH)	0% - 90%
Net weight (kg)	2.8kg
Gross weight (kg)	4.2kg
Housing material	Sheet Metal
Housing (mm) L × W × H	436*283*48.7
Mounting	100*100

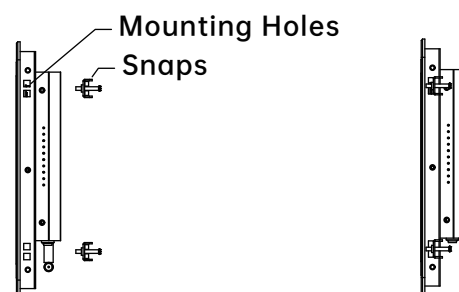
Included in the Delivery

Manual	x1	Power Supply	x1
Mounting	X4	USB CABLE+HDMI	X1
Snaps		CABLE	

Installation



Step 1: Settle the PC from outside to inside of the enclosure.



Step 2: Fix the snaps on the mounting holes of the PC, and tighten the snaps with screwdriver.

19" Touchscreen Monitor |

DM19NB

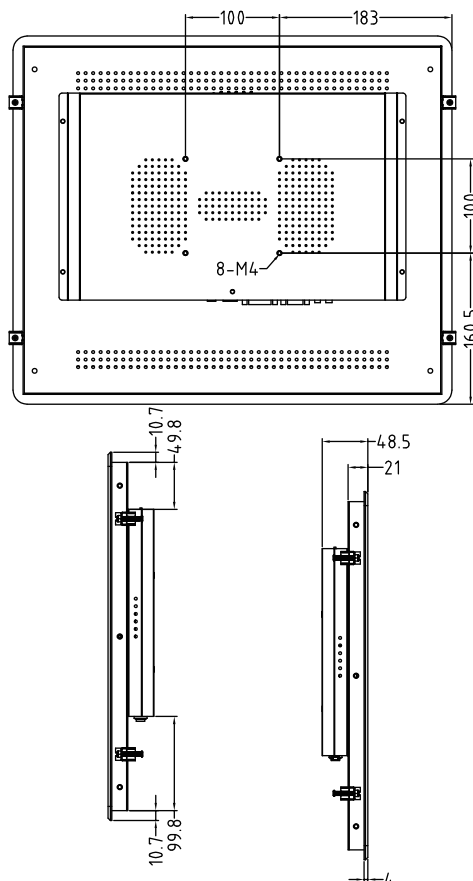
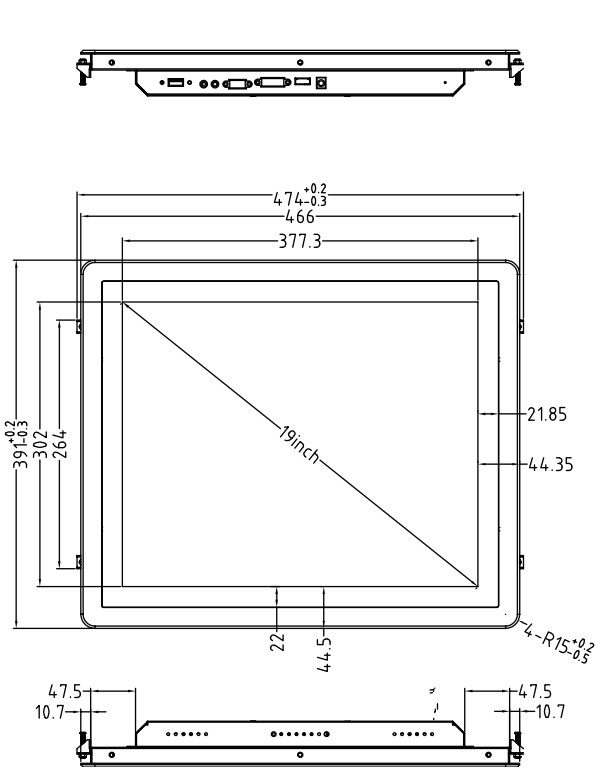


Robust Built

3mm Tempered Glass + 6mm Aluminum Frame

Sheet metal Chassis

corrosion and oxidation resistance



LCD Panel

IP Rating	IP65 Front
Screen diagonal	19inch
Display active screen size	376(W)*301(H)mm
Aspect ratio	5:4
Physical resolution	1280*1024
Colours displayed	16.7M
Brightness (cd/m2)	300
Contrast	1000:1
Visual Angle H/V (°)	175/175
Backlight Lifetime (hours)	LED 30,000

Touch Panel

Touch Technology	Projected Capacitive 10-Point Multitouch
Touch Connector	USB
Surface Hardness	7h

External Connectors

12v DC IN	x1	HDMI IN	x1
USB	x1	Audio I/O	x1
VGA	x1	DVI	x1

Operation

Operating Temperature (°C)	0°C-50°C
Humidity Range (RH)	0% - 90%
Net weight (kg)	6.6kg
Gross weight (kg)	8.4kg
Housing material	Sheet Metal
Housing (mm) L × W × H	466*391*49
Mounting	100*100

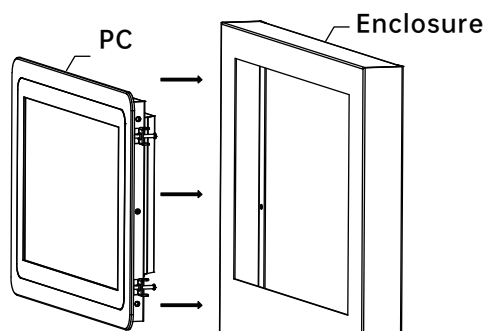
Power

Power Supply	100-240V AC;
Working Power (V)	12
Power Consumption (W)	<36
Stand-By Consumption (W)	<1

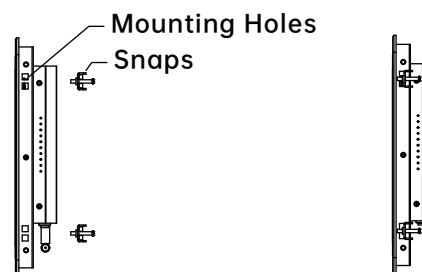
Included in the Delivery

Manual	x1	Power Supply	x1
Mounting	X4	USB CABLE+HDMI	X1
Snaps		CABLE	

Installation



Step 1: Settle the PC from outside to inside of the enclosure.



Step 2: Fix the snaps on the mounting holes of the PC, and tighten the snaps with screwdriver.

21.5" Touchscreen Monitor |

DM215B

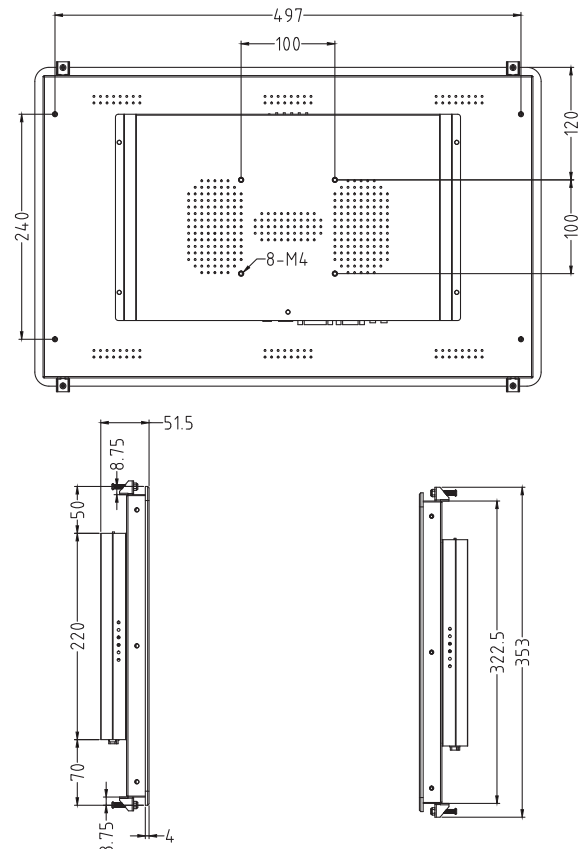
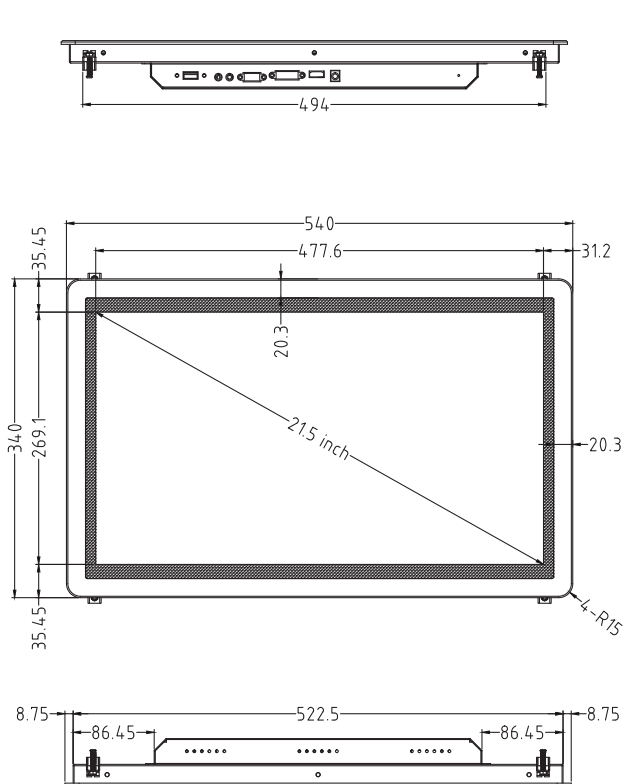


Robust Built

3mm Tempered Glass + 6mm Aluminum Frame

Sheet metal Chassis

corrosion and oxidation resistance



LCD Panel

IP Rating	IP65 Front
Screen diagonal	21.5inch
Display active screen size	269.1(W)*477.6(H)mm
Aspect ratio	16:9
Physical resolution	1920*1080
Colours displayed	16.7M
Brightness (cd/m2)	250
Contrast	1000:1
Visual Angle H/V (°)	175/175
Backlight Lifetime (hours)	LED 30,000

Touch Panel

Touch Technology	Projected Capacitive 10-Point Multitouch
Touch Connector	USB
Surface Hardness	7h

External Connectors

12v DC IN	x1	HDMI IN	x1
USB	x1	Audio I/O	x1
VGA	x1	DVI	x1

Operation

Operating Temperature (°C)	0°C-50°C
Humidity Range (RH)	0% - 90%
Net weight (kg)	5.4kg
Gross weight (kg)	7.6kg
Housing material	Sheet Metal
Housing (mm) L × W × H	540*340*51.5
Mounting	100*100

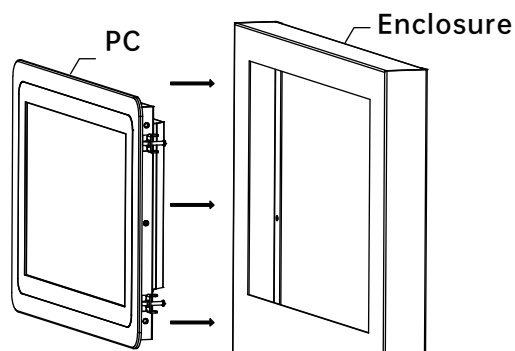
Power

Power Supply	100-240V AC;
Working Power (V)	12
Power Consumption (W)	<36
Stand-By Consumption (W)	<1

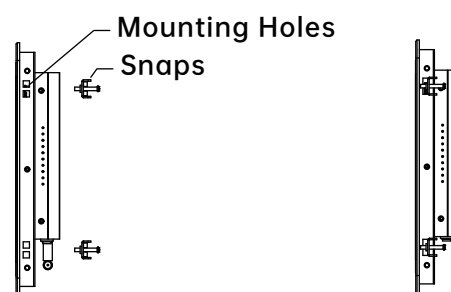
Included in the Delivery

Manual	x1	Power Supply	x1
Mounting	X4	USB CABLE+HDMI	X1
Snaps		CABLE	

Installation



Step 1: Settle the PC from outside to inside of the enclosure.



Step 2: Fix the snaps on the mounting holes of the PC, and tighten the snaps with screwdriver.



Embedded
Touchscreen for



A robust Android Tablet PC with easy-installation design for embedded, is equipped with 6mm thick metal frame protection around. So DM series could achieve front face IP65 water proof after it works on your enclosure.

Android 11, as the heart of DM series, is reassuringly stable after applied in thousands of projects with improvements.

DM series is built to be the reliable brain of your equipment!

Android

7" Touchscreen for Android |

DM070B

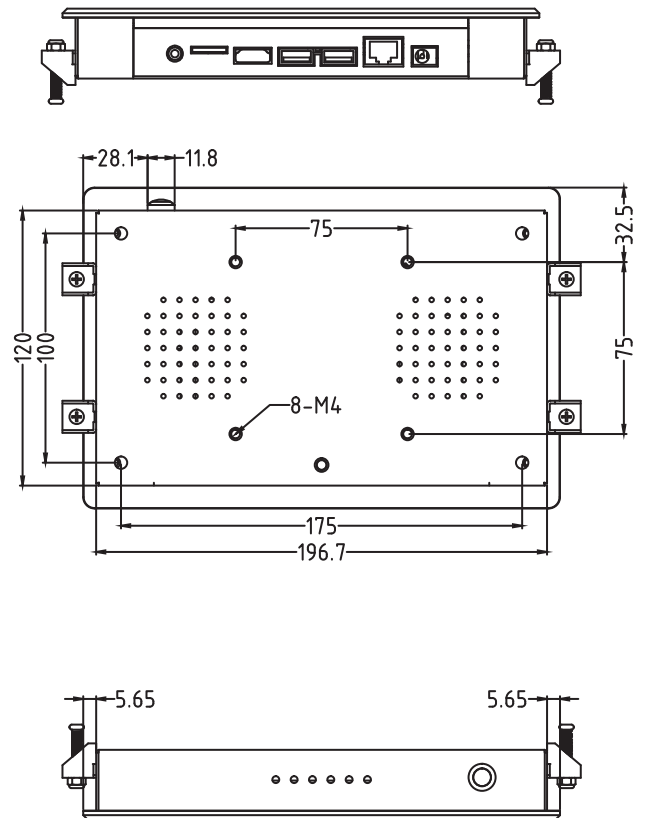
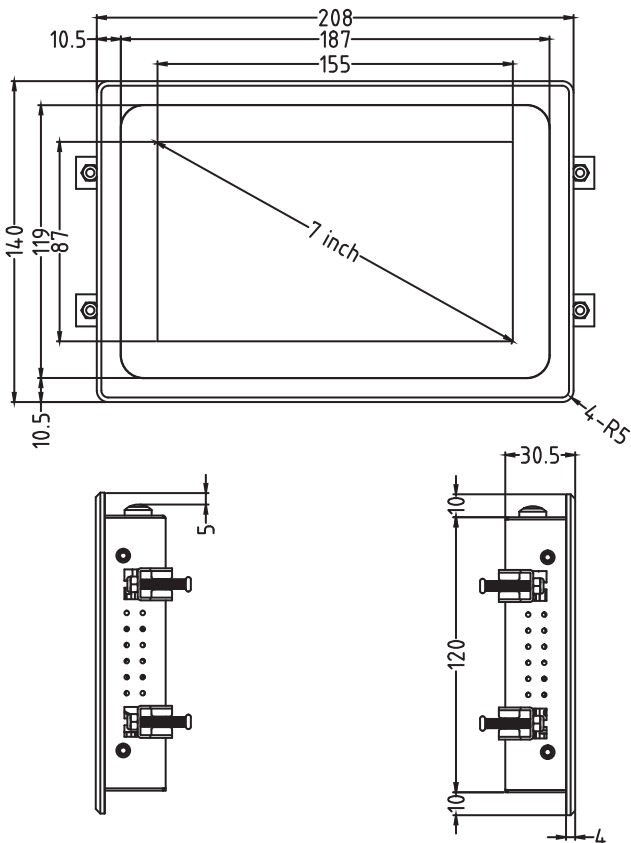


Multiple I/O

HDMI/USB/LAN/COM

Robust Chassis

corrosion and oxidation resistance



PC System

CPU	Rockchip RK3568	Rockchip RK3128	Rockchip RK3399
Graphic GPU	ARM G52 2EE	ARM® Mali-400 MP2	PowerVR G6110
Audio	-	-	-
Memory	2G (4G optional)	1G	2G (4G optional)
Storage	16G/32G eMMC	8G eMMC	16G/32G eMMC
Network	10/100M RJ45, 802.11a/b/g/n Wifi	10/100M RJ45, 802.11a/b/g/n Wifi	10/100M RJ45, 802.11a/b/g/n Wifi
Pre-installed	Android 11	Android 7.1	Android 9

LCD Panel

IP Rating	IP65 Front
Screen diagonal	7inch
Active screen size (mm)	155.5W* 87.5H
Aspect ratio	16:9
Physical resolution	1024*600
Colours displayed	16.7M , 50% (CIE1931)
Brightness (cd/m2)	250
Contrast	1000:1
Visual Angle H/V (°)	175/175
Backlight Lifetime (hours)	LED / 15,000

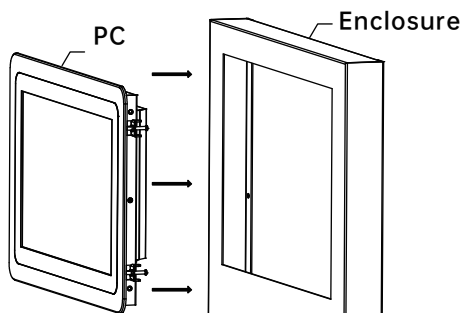
Power

Power Supply	100-240V AC;
Working Power (V)	24
Power Consumption (W)	<25
Stand-By Consumption (W)	<0.5

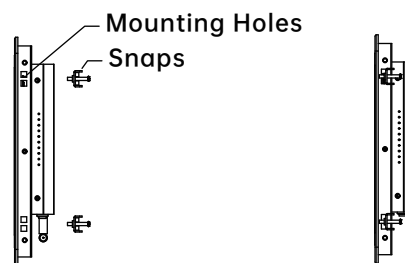
External Connectors

15-40v DC IN	x1	HDMI out	x1
OTG USB	x1	USB	X1
RJ45 Ports	x1	Tf card slot	x1
Headphone	x1	DB9 (TTL)	optional

Installation



Step 1: Settle the PC from outside to inside of the enclosure.



Step 2: Fix the snaps on the mouting holes of the PC ,and tighten the snaps with screwdriver.

Operation

Operating Temperature (°C)	0°C-50°C
Humidity Range (RH)	10% - 80%
Net weight (kg)	0.876KG
Gross weight (kg)	1.35kg
Housing material	Sheet Metal
Housing (mm) L × W × H	208*140*30.5
Mounting	75*75

Touch Panel

Touch Technology	Projected Capacitive
Touch Connector	USB
Surface Hardness	7

Included in the

Manual	x1	Settling Snaps	X4
WIFI antenna	X1		

10.1" Touchscreen for Android | DM101B

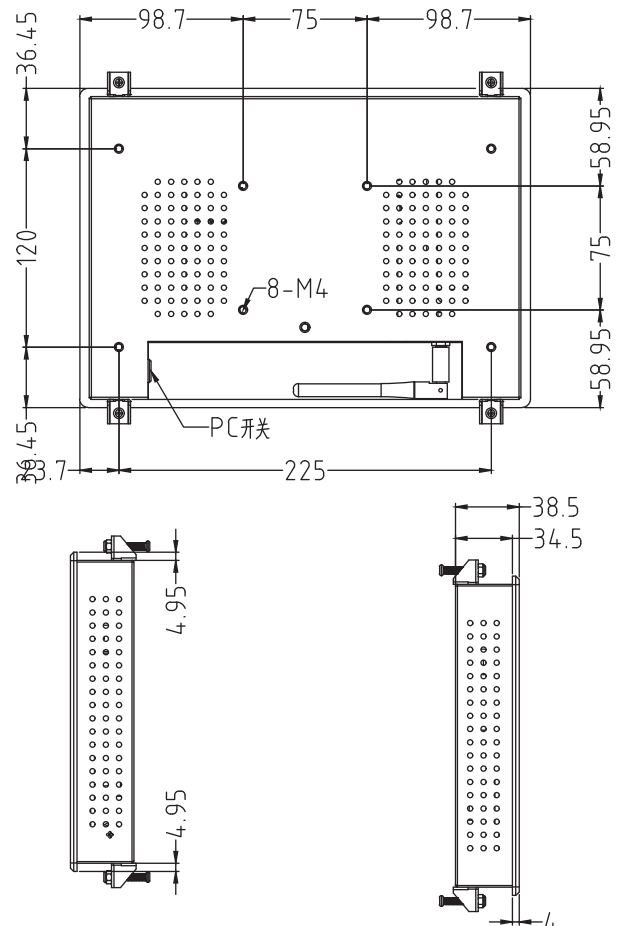
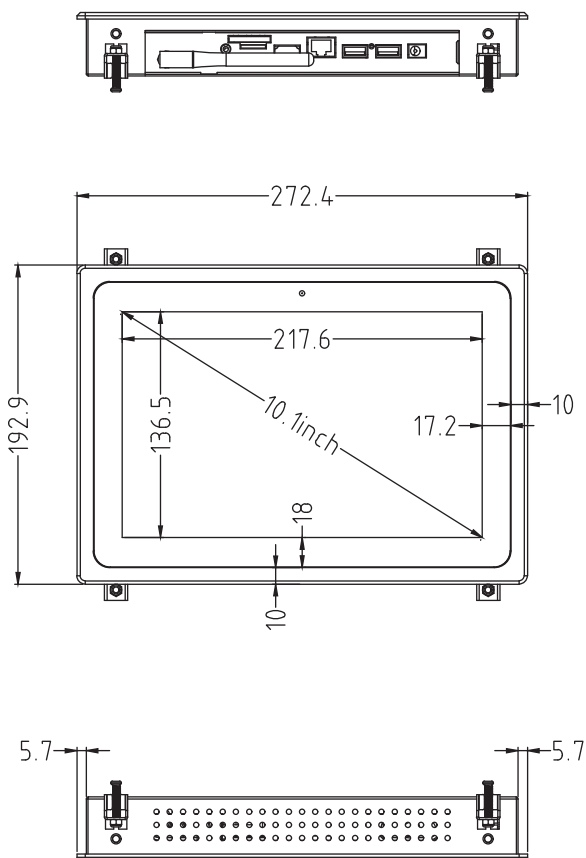


Multiple I/O

HDMI/USB/LAN/COM

Robust Chassis

corrosion and oxidation resistance



PC System

CPU	Rockchip RK3568	Rockchip RK3288	Rockchip RK3399
Graphic GPU	ARM G52 2EE	Mali-T764	PowerVR G6110
Audio	-	-	-
Memory	2G (4G optional)	2G (4G optional)	2G (4G optional)
Storage	16G/32G eMMC	16G/32G eMMC	16G/32G eMMC
Network	10/100M RJ45, 802.11a/b/g/n Wifi	10/100M RJ45, 802.11a/b/g/n Wifi	10/100M RJ45, 802.11a/b/g/n Wifi
Pre-installed	Android 11	Android 9	Android 9

LCD Panel

IP Rating	IP65 Front
Screen diagonal	10.1inch
Active screen size	217.6*136.5 mm
Aspect ratio	16:10
Physical resolution	1280*800
Colours displayed	16.7M <EDP 30 Pins>
Brightness (cd/m2)	≥250cd
Contrast	1000:1
Visual Angle H/V (°)	85/85/85/85 (Typ.)(CR≥10)
Backlight Lifetime (hrs)	LED 15,000

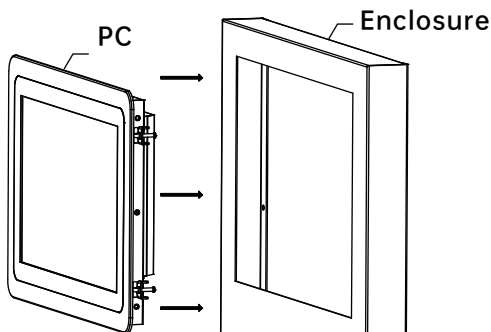
Power

Power Supply	100-240V AC;
Working Power (V)	12
Power Consumption (W)	<25
Stand-By Consumption (W)	<1

External Connectors

12v DC IN	x1	HDMI out	x1
OTG USB	x1	USB	X1
RJ45 Ports	x1	Tf card slot	x1
Headphone	x1	DB9 (TTL)	optional

Installation



Step 1: Settle the PC from outside to inside of the enclosure.

Operation

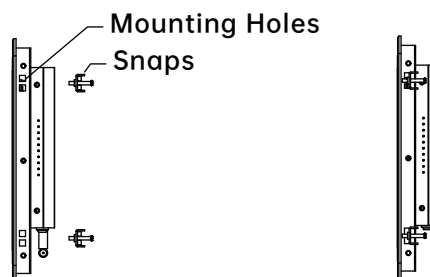
Operating Temperature (°C)	0°C-50°C
Humidity Range (RH)	0% - 90%
Net weight (kg)	1.77kg
Gross weight (kg)	2.88kg
Housing material	Sheet Metal
Housing (mm) L × W × H	272.4*192.9*38.5
Mounting	75*75

Touch Panel

Touch Technology	Projected Capacitive
Touch Connector	USB
Surface Hardness	7

Included in the Delivery

Manual	x1	Power Supply	x1
Settling Snaps	X4	WIFI antenna	X1



Step 2: Fix the snaps on the mouting holes of the PC ,and tighten the snaps with screwdriver.

10.4" Touchscreen for Android | DM104B

DM104B

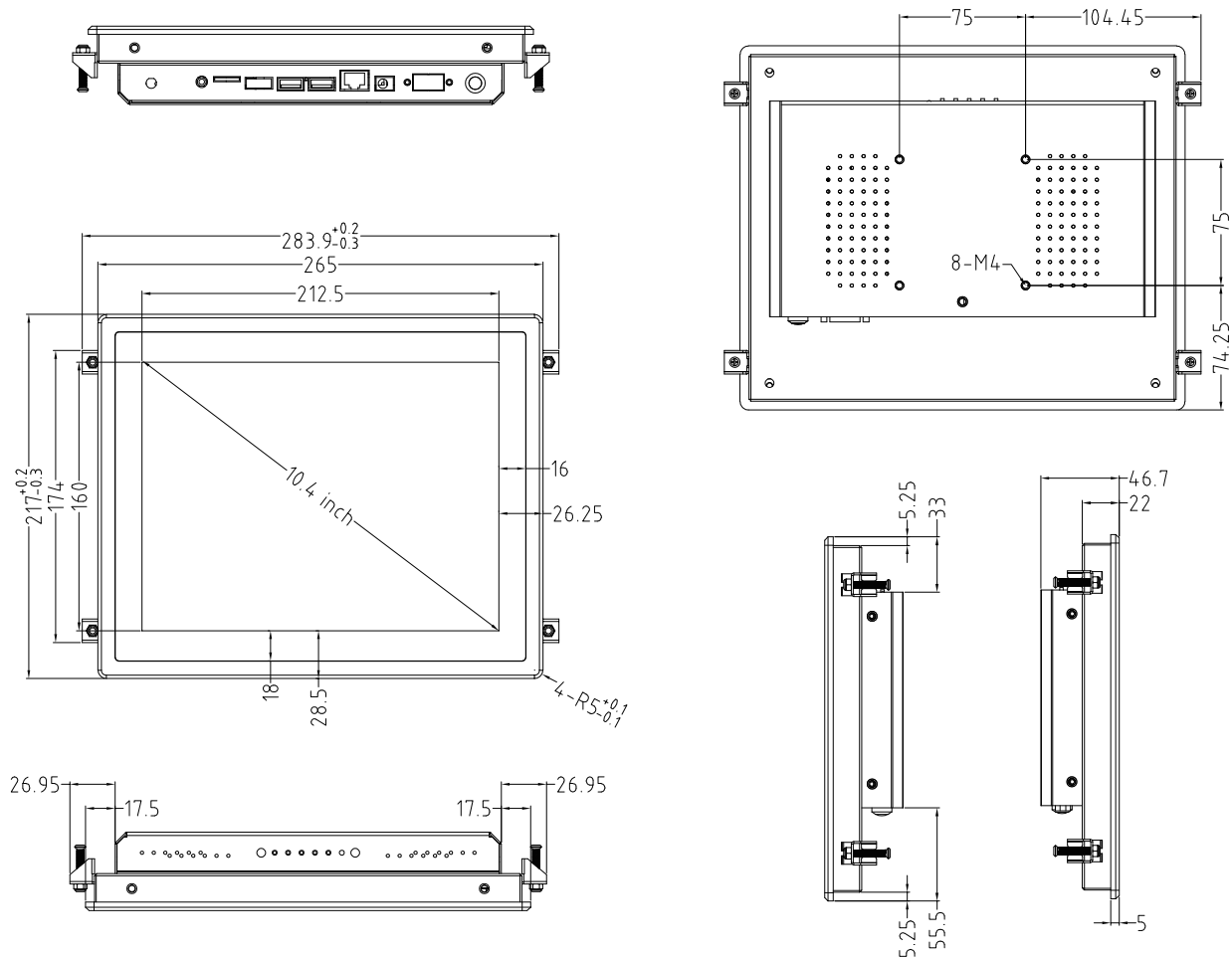


Multiple I/O

HDMI/USB/LAN/COM

Robust Chassis

corrosion and oxidation resistance



PC System

CPU	Rockchip RK3568	Rockchip RK3288	Rockchip RK3399
Graphic GPU	ARM G52 2EE	Mali-T764	PowerVR G6110
Audio	-	-	-
Memory	2G (4G optional)	2G (4G optional)	2G (4G optional)
Storage	16G/32G eMMC	16G/32G eMMC	16G/32G eMMC
Network	10/100M RJ45, 802.11a/b/g/n Wifi	10/100M RJ45, 802.11a/b/g/n Wifi	10/100M RJ45, 802.11a/b/g/n Wifi
Pre-installed	Android 11	Android 9	Android 9

LCD Panel

IP Rating	IP65 Front
Screen diagonal	10.4inch
Display active screen size (mm)	212.5 (W)*160 (H)
Aspect ratio	4:3
Physical resolution	1024*768
Colours displayed	16.7M , 60% NTSC
Brightness (cd/m2)	250
Contrast	1000:1
Visual Angle H/V (°)	175/175
Backlight Lifetime (hours)	LED / 30,000

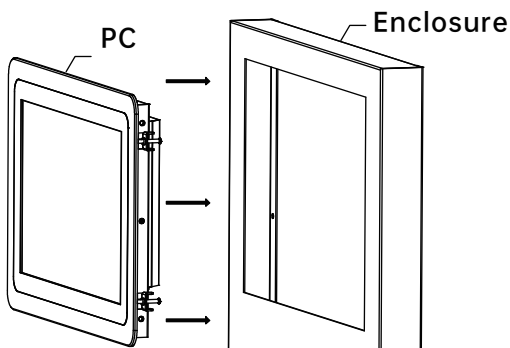
Power

Power Supply	100-240V AC;
Working Power (V)	12
Power Consumption (W)	<25
Stand-By Consumption (W)	<1

External Connectors

12v DC IN	x1	HDMI out	x1
OTG USB	x1	USB	X1
RJ45 Ports	x1	Tf card slot	x1
Headphone	x1	DB9 (TTL)	optional

Installation



Step 1: Settle the PC from outside to inside of the enclosure.

Operation

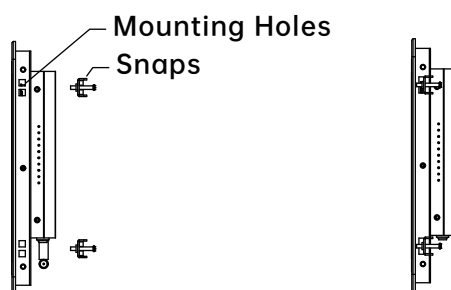
Operating Temperature (°C)	0°C-50°C
Humidity Range (RH)	0% - 90%
Net weight (kg)	1.7kg
Gross weight (kg)	2.2kg
Housing material	Sheet Metal
Housing (mm) L × W × H	265*217*46.7
Mounting	75*75

Touch Panel

Touch Technology	Projected Capacitive
Touch Connector	USB
Surface Hardness	7

Included in the Delivery

Manual	x1	Power Supply	x1
Settling Snaps	X4	WIFI antenna	X1



Step 2: Fix the snaps on the mounting holes of the PC, and tighten the snaps with screwdriver.

15.6" Touchscreen for Android | DM156B

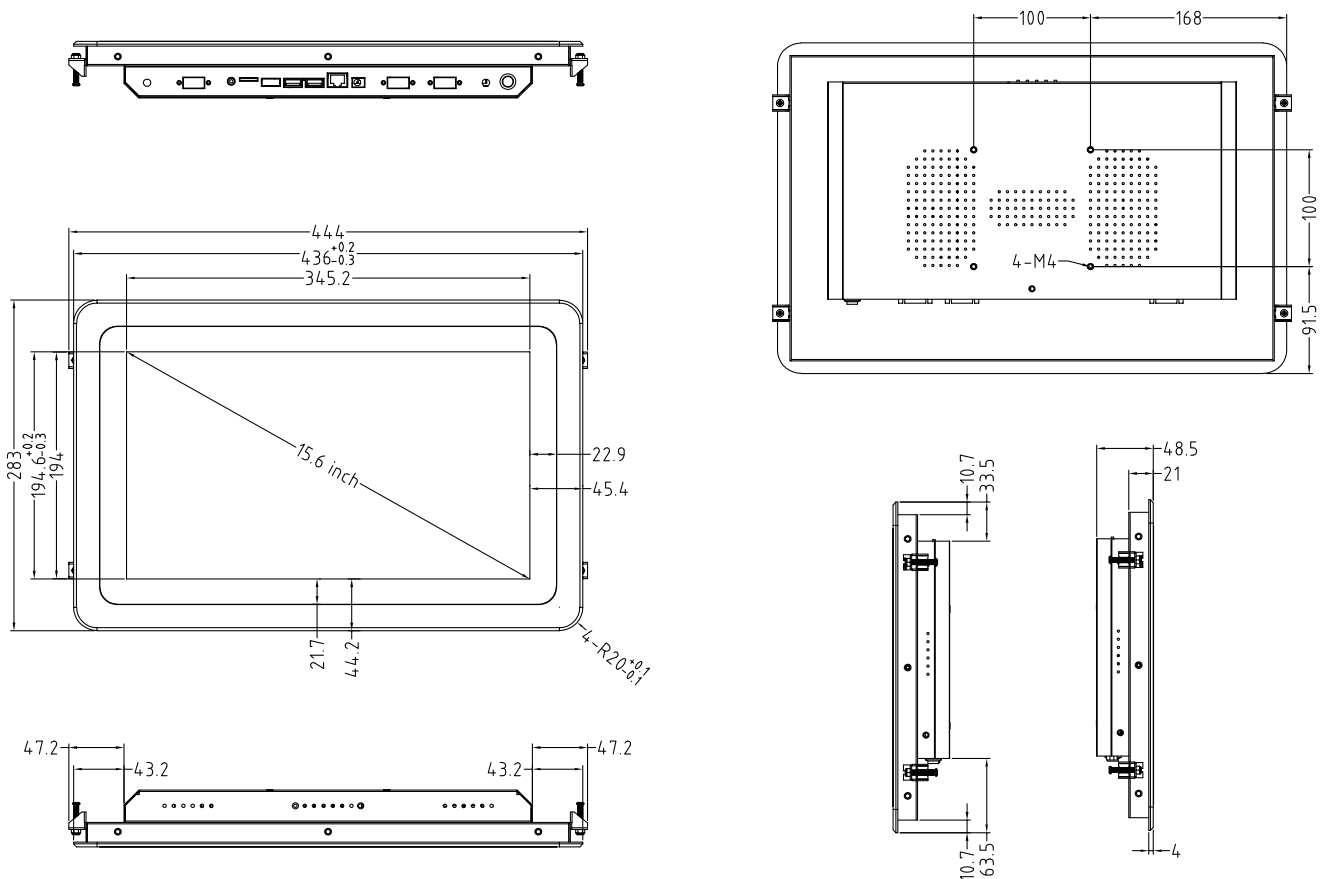


Multiple I/O

HDMI/USB/LAN/COM

Robust Chassis

corrosion and oxidation resistance



PC System

CPU	Rockchip RK3568	Rockchip RK3288	Rockchip RK3399
Graphic GPU	ARM G52 2EE	Mali-T764	PowerVR G6110
Audio	-	-	-
Memory	2G (4G optional)	2G (4G optional)	2G (4G optional)
Storage	16G/32G eMMC	16G/32G eMMC	16G/32G eMMC
Network	10/100M RJ45, 802.11a/b/g/n Wifi	10/100M RJ45, 802.11a/b/g/n Wifi	10/100M RJ45, 802.11a/b/g/n Wifi
Pre-installed	Android 11	Android 9	Android 9

LCD Panel

IP Rating	IP65 Front
Screen diagonal	15.6inch
Display active screen size (mm)	345.2(W)*194.6(H)
Aspect ratio	16:9
Physical resolution	1920*1080
Colours displayed	16.7M
Brightness (cd/m2)	250
Contrast	1000:1
Visual Angle H/V (°)	175/175
Backlight Lifetime (hours)	LED 30,000

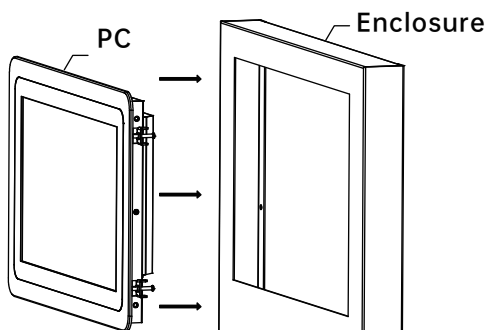
Power

Power Supply	100-240V AC;
Working Power (V)	12
Power Consumption (W)	<25
Stand-By Consumption (W)	<1

External Connectors

12v DC IN	x1	HDMI out	x1
OTG USB	x1	USB	X1
RJ45 Ports	x1	Tf card slot	x1
Headphone	x1	DB9 (TTL)	optional

Installation



Step 1: Settle the PC from outside to inside of the enclosure.

Operation

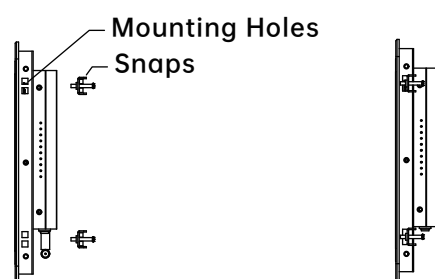
Operating Temperature (°C)	0°C-50°C
Humidity Range (RH)	0% - 90%
Net weight (kg)	2.8kg
Gross weight (kg)	4.2kg
Housing material	Sheet Metal
Housing (mm) L × W × H	436*283*48.7
Mounting	100*100

Touch Panel

Touch Technology	Projected Capacitive
Touch Connector	USB
Surface Hardness	7

Included in the Delivery

Manual	x1	Power Supply	x1
Settling Snaps	X4	WIFI antenna	X1



Step 2: Fix the snaps on the mouting holes of the PC ,and tighten the snaps with screwdriver.

19" Touchscreen for Android |

DM19NB

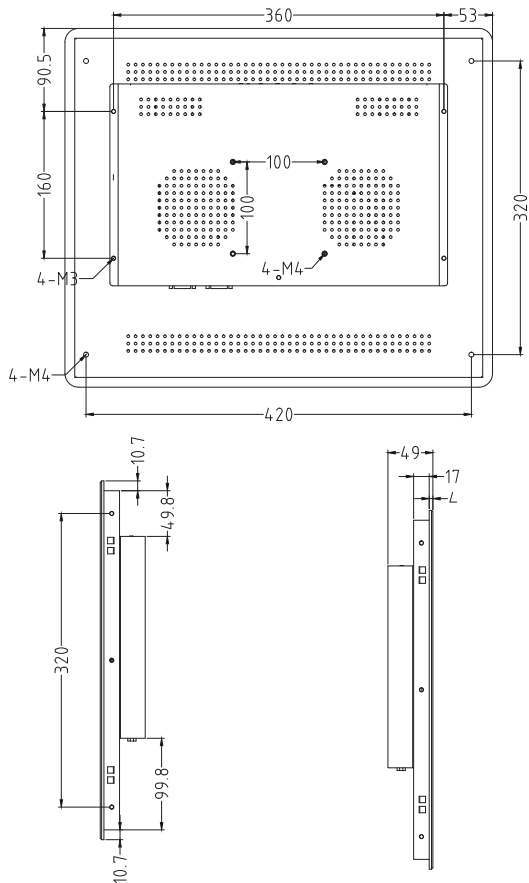
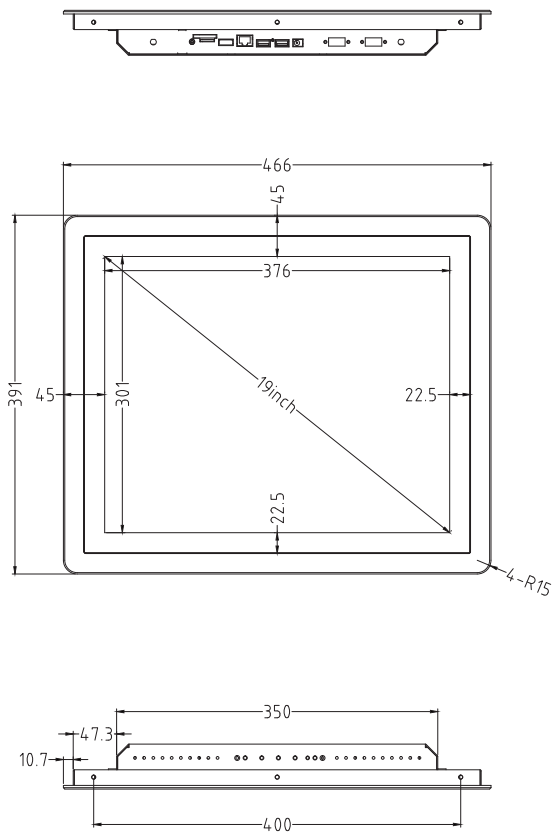


Multiple I/O

HDMI/USB/LAN/COM

Robust Chassis

corrosion and oxidation resistance



PC System

CPU	Rockchip RK3568	Rockchip RK3288	Rockchip RK3399
Graphic GPU	ARM G52 2EE	Mali-T764	PowerVR G6110
Audio	-	-	-
Memory	2G (4G optional)	2G (4G optional)	2G (4G optional)
Storage	16G/32G eMMC	16G/32G eMMC	16G/32G eMMC
Network	10/100M RJ45, 802.11a/b/g/n Wifi	10/100M RJ45, 802.11a/b/g/n Wifi	10/100M RJ45, 802.11a/b/g/n Wifi
Pre-installed	Android 11	Android 9	Android 9

LCD Panel

IP Rating	IP65 Front
Screen diagonal	19inch
Display active screen size (mm)	376(W)*301(H)mm
Aspect ratio	5:4
Physical resolution	1280*1024
Colours displayed	16.7M
Brightness (cd/m2)	300
Contrast	1000:1
Visual Angle H/V (°)	175/175
Backlight Lifetime (hours)	LED 30,000

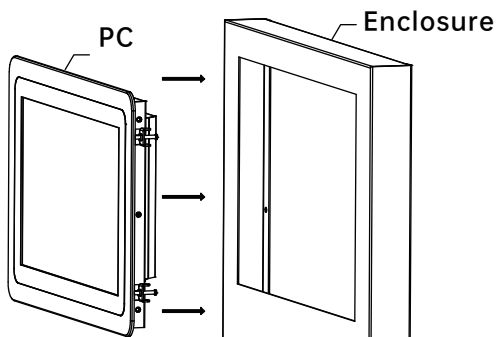
Power

Power Supply	100-240V AC;
Working Power (V)	12
Power Consumption (W)	<36
Stand-By Consumption (W)	<1

External Connectors

12v DC IN	x1	HDMI out	x1
OTG USB	x1	USB	X1
RJ45 Ports	x1	Tf card slot	x1
Headphone	x1	DB9 (TTL)	optional

Installation



Step 1: Settle the PC from outside to inside of the enclosure.

Operation

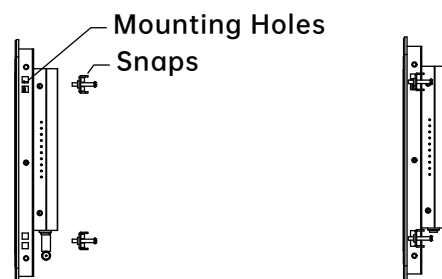
Operating Temperature (°C)	0°C-50°C
Humidity Range (RH)	0% - 90%
Net weight (kg)	6.6kg
Gross weight (kg)	8.4kg
Housing material	Sheet Metal
Housing (mm) L × W × H	466*391*49
Mounting	100*100

Touch Panel

Touch Technology	Projected Capacitive
Touch Connector	USB
Surface Hardness	7

Included in the Delivery

Manual	x1	Power Supply	x1
Settling Snaps	X4	WIFI antenna	X1



Step 2: Fix the snaps on the mounting holes of the PC, and tighten the snaps with screwdriver.

21.5" Touchscreen for Android | DM215B

DM215B

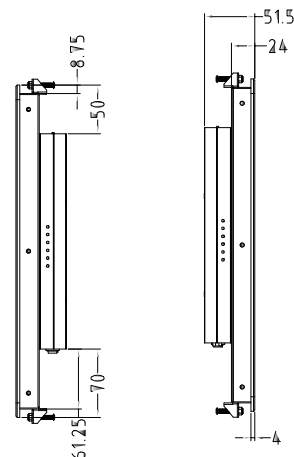
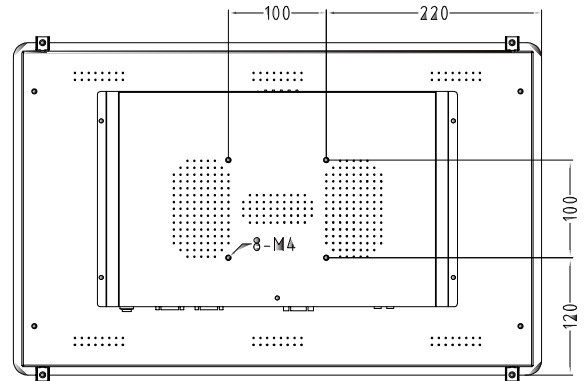
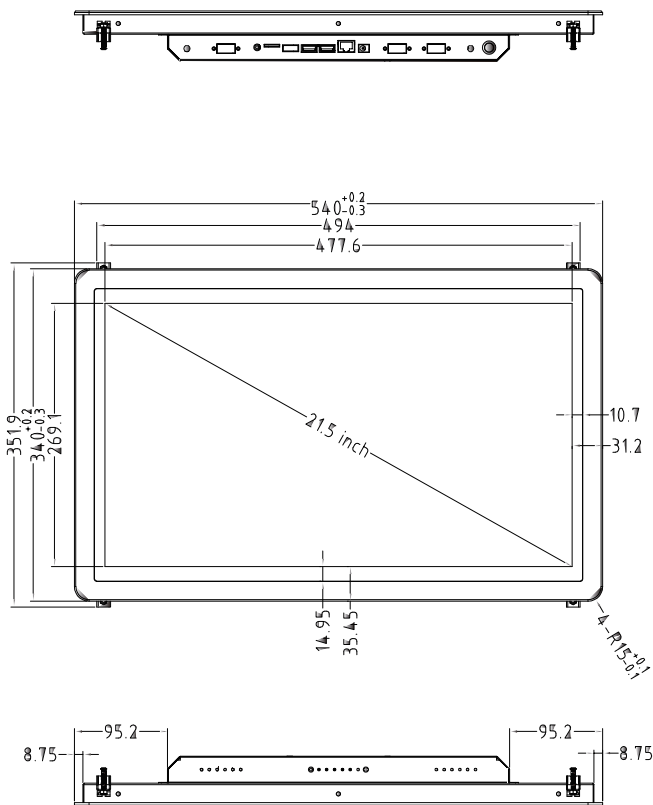


Multiple I/O

HDMI/USB/LAN/COM

Robust Chassis

corrosion and oxidation resistance



PC System

CPU	Rockchip RK3568	Rockchip RK3288	Rockchip RK3399
Graphic GPU	ARM G52 2EE	Mali-T764	PowerVR G6110
Audio	-	-	-
Memory	2G (4G optional)	2G (4G optional)	2G (4G optional)
Storage	16G/32G eMMC	16G/32G eMMC	16G/32G eMMC
Network	10/100M RJ45, 802.11a/b/g/n Wifi	10/100M RJ45, 802.11a/b/g/n Wifi	10/100M RJ45, 802.11a/b/g/n Wifi
Pre-installed	Android 11	Android 9	Android 9

LCD Panel

IP Rating	IP65 Front
Screen diagonal	21.5inch
Display active screen size (mm)	269.1(W)*477.6(H)
Aspect ratio	16:9
Physical resolution	1920*1080
Colours displayed	16.7M
Brightness (cd/m2)	250
Contrast	1000:1
Visual Angle H/V (°)	175/175
Backlight Lifetime (hours)	LED 30,000

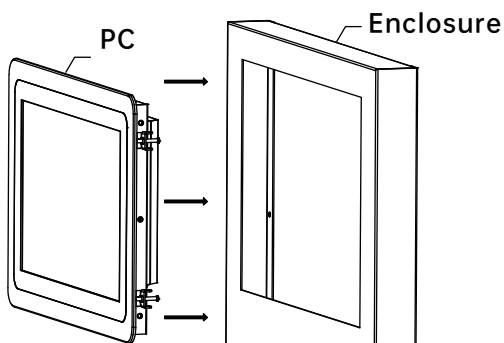
Power

Power Supply	100-240V AC;
Working Power (V)	12
Power Consumption (W)	<36
Stand-By Consumption (W)	<1

External Connectors

12v DC IN	x1	HDMI out	x1
OTG USB	x1	USB	X1
RJ45 Ports	x1	Tf card slot	x1
Headphone	x1	DB9 (TTL)	optional

Installation



Step 1: Settle the PC from outside to inside of the enclosure.

Operation

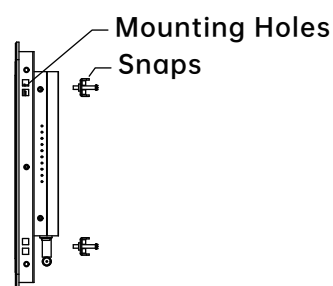
Operating Temperature (°C)	0°C-50°C
Humidity Range (RH)	0% - 90%
Net weight (kg)	5.4kg
Gross weight (kg)	7.6kg
Housing material	Sheet Metal
Housing (mm) L × W × H	540*340*51.5
Mounting	100*100

Touch Panel

Touch Technology	Projected Capacitive
Touch Connector	USB
Surface Hardness	7

Included in the Delivery

Manual	x1	Power Supply	x1
Settling Snaps	X4	WIFI antenna	X1



Step 2: Fix the snaps on the mouting holes of the PC ,and tighten the snaps with screwdriver.



Open Frame Panel



A robust Windows PC designed to applied in multiple types of installation, with open frame structure.

It adapts configuration from beginner to high-end, Celeron J1900 to i7 8Gen. Optional with feature fanless and with fan.

Device is authorized by Microsoft, being with Windows LTSC enterprise version. 100% compliance with no legal risk.

DM series is built to be the reliable brain of your equipment!

PC

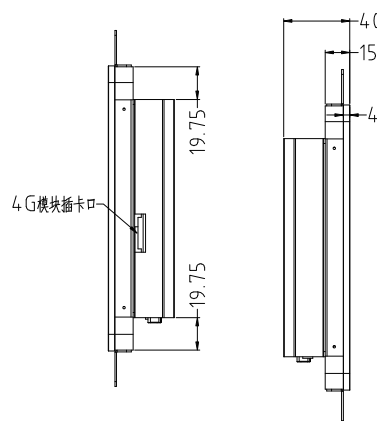
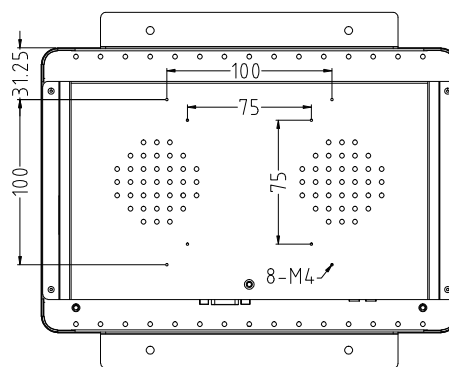
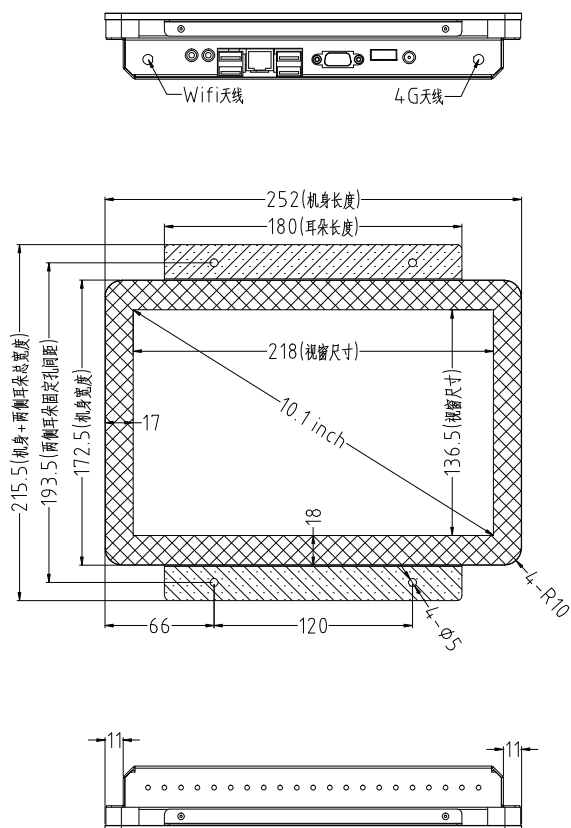
10.1" Industrial Panel PC | DM101



1920*1200 FHD display
pure and natural color

Versatile Mounting options
Wall mount / Embedded / Open Frame

Robust Built
3mm Tempered Glass + Full metal Chassis



PC System

CPU	Intel Celeron® Jasperlake N5095	Intel core i5 optional
Graphic GPU	Intel® UHD Graphics	Intel® UHD Graphics
Audio	HD Audio: ALC897+ Colay ; AD52080	HD Audio
Memory	Netac-DDR4-2666MHz-SODIMM-4G	8G Optional
Storage	Foresee mSATA-128GB	32GB/64GB/256GB/512GB
Network	WIFI-NE238H-2.4G	Wifi 5G/BLE 5.1 optional
Pre-installed OS	Windows 10 Enterprise 2019 LTSC	Windows 10 Enterprise 2019 LTSC

LCD Panel

IP Rating	IP65 Front
Screen diagonal	10.1inch
Display active screen size (mm)	218(W)*136.5(H)m
Aspect ratio	16:10
Physical resolution	1920*1200
Colours displayed	16.7M
Brightness (cd/m2)	250
Contrast	1000:1
Visual Angle H/V (°)	175/175
Backlight Lifetime (hours)	LED / 30,000

Power

Power Supply	100-240V AC;
Working Power (V)	12
Power Consumption (W)	<36
Stand-By Consumption (W)	<1

External Connectors

12v DC IN	x1	HDMI	x1
COM RS232	x1	USB 3.0	X1
RJ45 Ports	x1	F_Mic	x1
F_OUT	x1	USB 2.0	X3

Included in the Delivery

Manual	x1	Power Supply	x1
Wall mount bracket	x1	WIFI antenna	X1

Operation

Operating Temperature (°C)	0°C-50°C
Humidity Range (RH)	0% - 90%
Net weight (kg)	1.77kg
Gross weight (kg)	2.88kg
Housing material	Sheet Metal
Housing (mm) L × W × H	252*172.5*40
Mounting	75*75/100*100

Touch Panel

Touch Technology	Projected Capacitive
Touch Connector	USB
Surface Hardness	7

Installation



10.4" Industrial Panel PC | DM104N

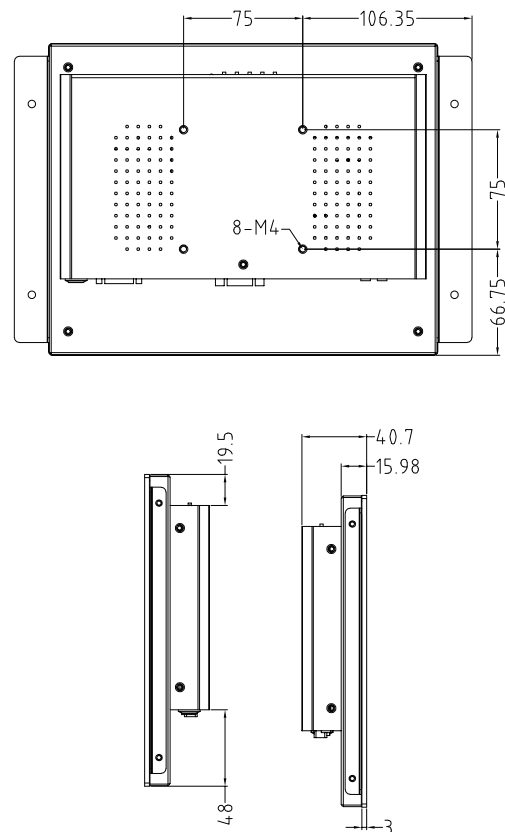
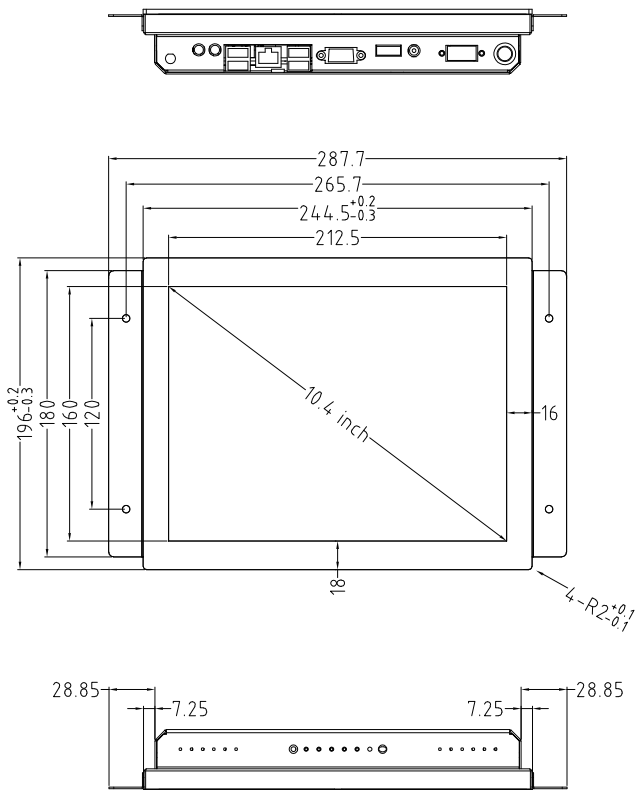


Versatile Mounting options

Wall mount / Embedded / Open Frame

Robust Built

3mm Tempered Glass + Full metal Chassis



PC System

CPU	Intel Celeron® Jasperlake N5095	Intel core i5 optional
Graphic GPU	Intel® UHD Graphics	Intel® UHD Graphics
Audio	HD Audio: ALC897+ Colay ; AD52080	HD Audio
Memory	Netac-DDR4-2666MHz-SODIMM-4G	8G Optional
Storage	Foresee mSATA-128GB	32GB/64GB/256GB/512GB
Network	WIFI-NE238H-2.4G	Wifi 5G/BLE 5.1 optional
Pre-installed OS	Windows 10 Enterprise 2019 LTSC	Windows 10 Enterprise 2019 LTSC

LCD Panel

IP Rating	IP65 Front
Screen diagonal	10.4inch
Display active screen size (mm)	212.5(W)*160(H)m
Aspect ratio	4:3
Physical resolution	1024*768
Colours displayed	16.7M
Brightness (cd/m2)	250
Contrast	1000:1
Visual Angle H/V (°)	175/175
Backlight Lifetime (hours)	LED 30,000

Power

Power Supply	100-240V AC;
Working Power (V)	12
Power Consumption (W)	<36
Stand-By Consumption (W)	<1

External Connectors

12v DC IN	x1	HDMI	x1
COM RS232/485	x1	USB 3.0	X1
RJ45 Ports	x1	F_Mic	x1
F_OUT	x1	USB 2.0	X3

Included in the Delivery

Manual	x1	Power Supply	x1
Wall mount bracket	x1	WIFI antenna	X1

Operation

Operating Temperature (°C)	0°C-50°C
Humidity Range (RH)	0% - 90%
Net weight (kg)	1.6kg
Gross weight (kg)	2.8kg
Housing material	Sheet Metal
Housing (mm) L × W × H	244.5*196*40.7
Mounting	75*75/100*100

Touch Panel

Touch Technology	Projected Capacitive
Touch Connector	USB
Surface Hardness	7

Installation



12.1" Industrial Panel PC | DM121N

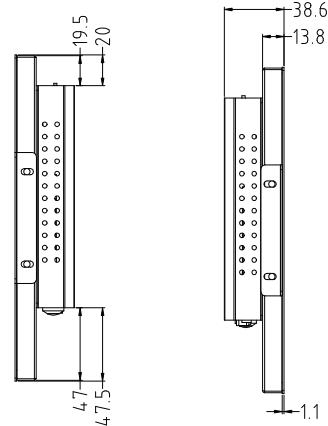
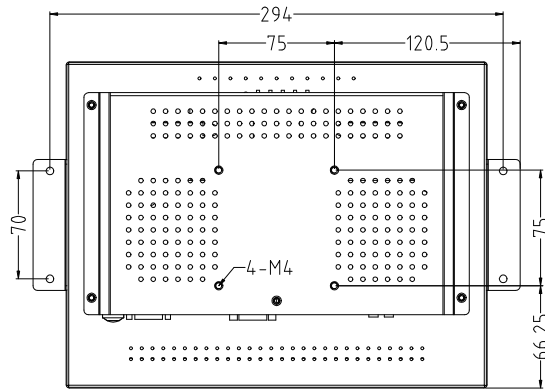
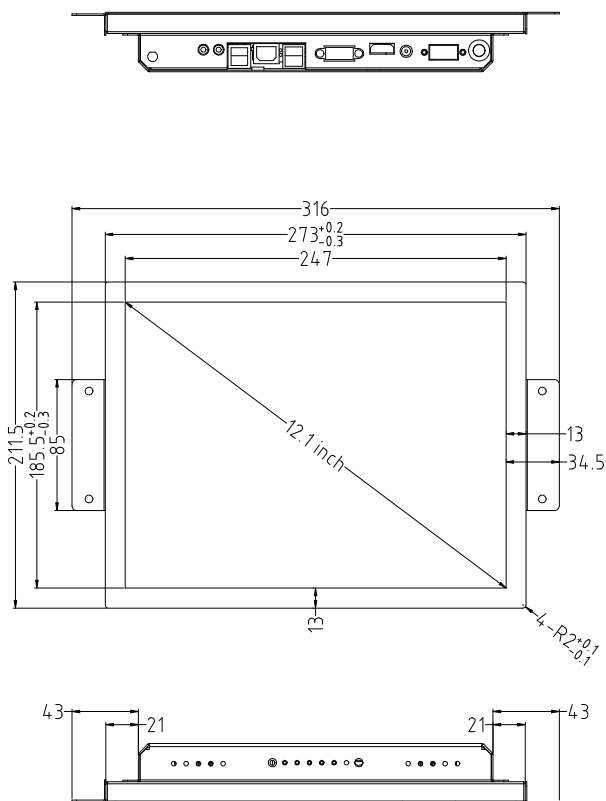


Versatile Mounting options

Wall mount / Embedded / Open Frame

Robust Built

3mm Tempered Glass + Full metal Chassis



PC System

CPU	Intel Celeron® J1900
Graphic GPU	Intel® UHD Graphics
Audio	HD Audio: ALC662
Memory	1600/1333MHz DDR3L/1.35V-4G
Storage	Foresee mSATA-128GB
Network	WIFI-NE238H-2.4G
Pre-installed OS	Windows 10 Enterprise 2019 LTSC

LCD Panel

IP Rating	IP65 Front
Screen diagonal	12.1inch
Display active screen size (mm)	247(W)*185.5(H)m
Aspect ratio	4:3
Physical resolution	1024*768
Colours displayed	16.7M
Brightness (cd/m2)	400
Contrast	1000:1
Visual Angle H/V (°)	175/175
Backlight Lifetime (hours)	LED / 30,000

Power

Power Supply	100-240V AC;
Working Power (V)	12
Power Consumption (W)	<36
Stand-By Consumption (W)	<1

External Connectors

12v DC IN	x1	HDMI	x1
COM RS232	x1	USB 3.0	X1
RJ45 Ports	x1	F_Mic	x1
F_OUT	x1	USB 2.0	X3

Included in the Delivery

Manual	x1	Power Supply	x1
Wall mount bracket	x1	WIFI antenna	X1

Operation

Operating Temperature (°C)	0°C-50°C
Humidity Range (RH)	0% - 90%
Net weight (kg)	1.98kg
Gross weight (kg)	3.121kg
Housing material	Sheet Metal
Housing (mm) L × W × H	273*211.5*39.5
Mounting	100*100

Touch Panel

Touch Technology	Projected Capacitive
Touch Connector	USB
Surface Hardness	7

Installation



15" Industrial Panel PC | DM15N

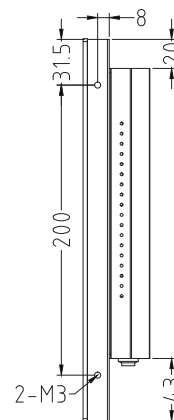
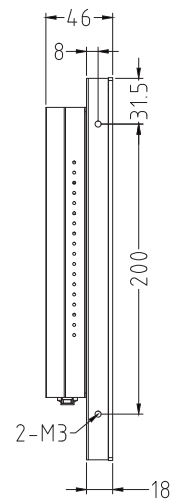
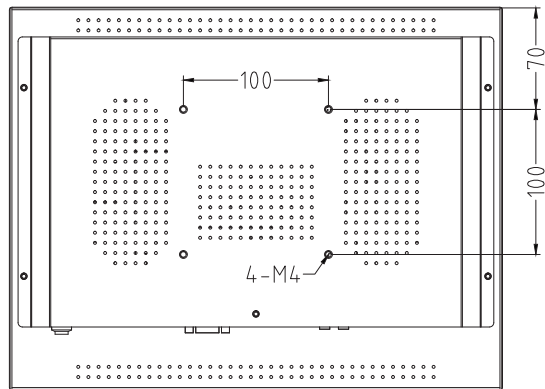
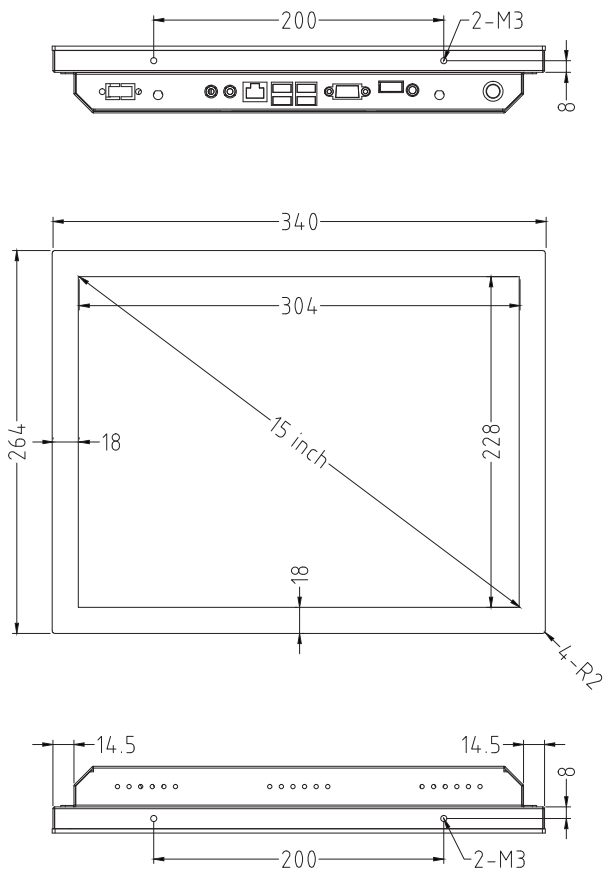


Versatile Mounting options

Wall mount / Embedded / Open Frame

Robust Built

3mm Tempered Glass + Full metal Chassis



PC System

CPU	Intel Celeron® J1900	Intel core i3/i5/i7 optional
Graphic GPU	Intel® UHD Graphics	Intel® UHD Graphics
Audio	HD Audio: ALC662	HD Audio
Memory	1600/1333MHz DDR3L/1.35V-4G	8G Optional
Storage	Foresee mSATA-128GB	32GB/64GB/256GB/512GB
Network	WIFI-NE238H-2.4G	Wifi 5G/BLE 5.1 optional
Pre-installed OS	Windows 10 Enterprise 2019 LTSC	Windows 10 Enterprise 2019 LTSC

LCD Panel

IP Rating	IP65 Front
Screen diagonal	15inch
Display active screen size (mm)	304(W)*228(H)mm
Aspect ratio	4:3
Physical resolution	1024*768
Colours displayed	16.7M
Brightness (cd/m2)	250
Contrast	1000:1
Visual Angle H/V (°)	175/175
Backlight Lifetime (hours)	LED 30,000

Power

Power Supply	100-240V AC;
Working Power (V)	12
Power Consumption (W)	<36
Stand-By Consumption (W)	<1

External Connectors

12v DC IN	x1	HDMI	x1
COM RS232	x1	USB 3.0	X1
RJ45 Ports	x1	F_Mic	x1
F_OUT	x1	USB 2.0	X3

Included in the Delivery

Manual	x1	Power Supply	x1
Wall mount bracket	x1	WIFI antenna	X1

Operation

Operating Temperature (°C)	0°C-50°C
Humidity Range (RH)	0% - 90%
Net weight (kg)	4.04kg
Gross weight (kg)	6kg
Housing material	Sheet Metal
Housing (mm) L × W × H	340*264*46
Mounting	100*100

Touch Panel

Touch Technology	Projected Capacitive
Touch Connector	USB
Surface Hardness	7

Installation



15.6" Industrial Panel PC | DM156N

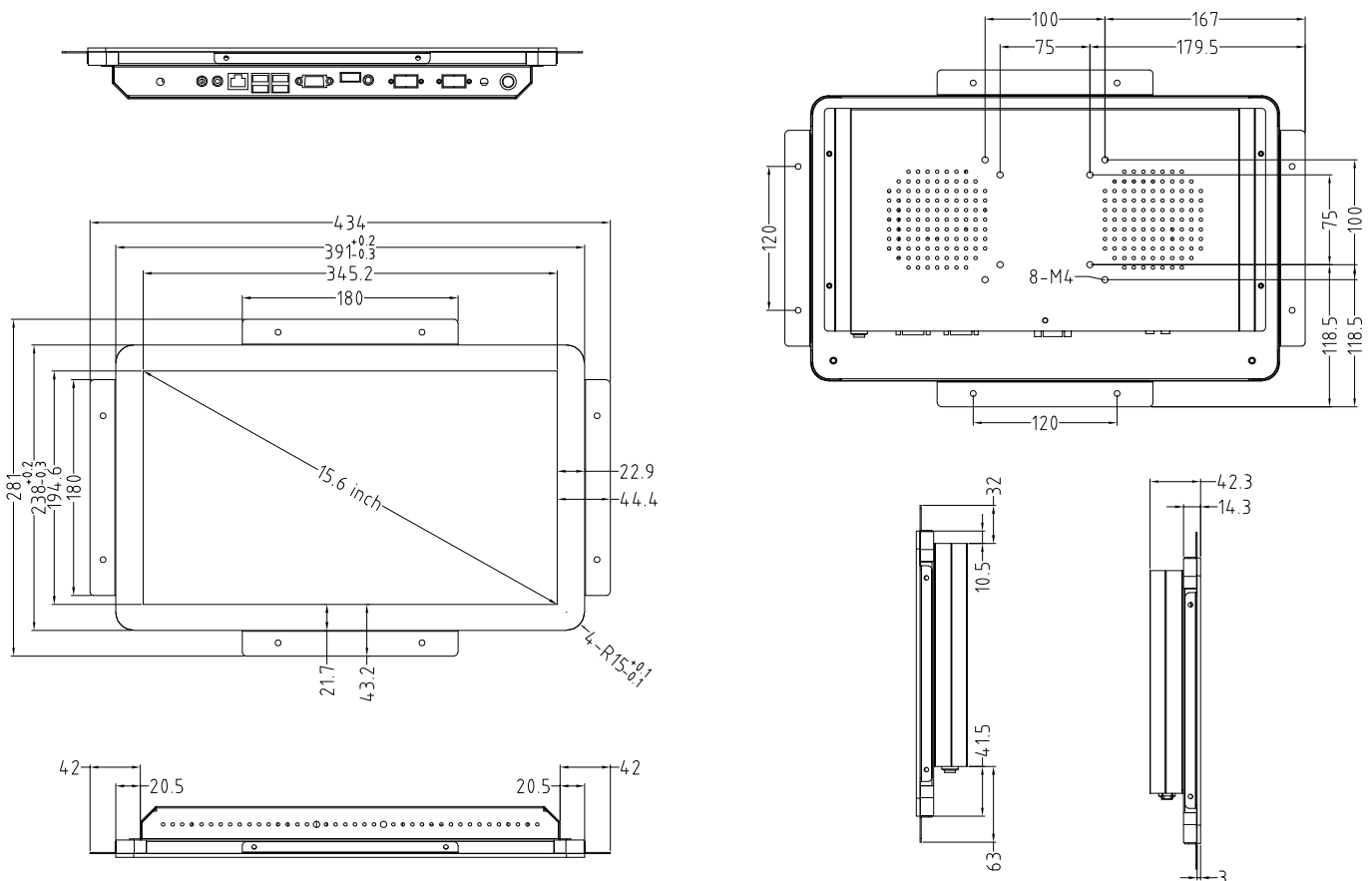


Versatile Mounting options

Wall mount / Embedded / Open Frame

Robust Built

3mm Tempered Glass + Full metal Chassis



PC System

CPU	Intel® Celeron® Processor J4125	Intel core i3/i5/i7 optional
Graphic GPU	Intel® UHD Graphics	Intel® UHD Graphics
Audio	HD Audio	HD Audio
Memory	Netac-DDR4-2666MHz-SODIMM-8G	8G Optional
Storage	Foresee mSATA-128GB	32GB/64GB/256GB/512GB
Network	WIFI-NE238H-2.4G	Wifi 5G/BLE 5.1 optional
Pre-installed OS	Windows 10 Enterprise 2019 LTSC	Windows 10 Enterprise 2019 LTSC

LCD Panel

IP Rating	IP65 Front
Screen diagonal	15.6inch
Display active screen size (mm)	345.2(W)*194.6(H)
Aspect ratio	16:9
Physical resolution	1920*1080
Colours displayed	16.7M
Brightness (cd/m2)	250
Contrast	1000:1
Visual Angle H/V (°)	175/175
Backlight Lifetime (hours)	LED 30,000

Power

Power Supply	100-240V AC;
Working Power (V)	12
Power Consumption (W)	<36
Stand-By Consumption (W)	<1

External Connectors

12v DC IN	x1	HDMI	x1
COM RS232	x1	USB 3.0	X1
RJ45 Ports	x1	F_Mic	x1
F_OUT	x1	USB 2.0	X3

Included in the Delivery

Manual	x1	Power Supply	x1
Wall mount bracket	x1	WIFI antenna	X1

Operation

Operating Temperature (°C)	0°C-50°C
Humidity Range (RH)	0% - 90%
Net weight (kg)	3.3kg
Gross weight (kg)	4.7kg
Housing material	Sheet Metal
Housing (mm) L × W × H	391*238*41.9
Mounting	100*100/75*75

Touch Panel

Touch Technology	Projected Capacitive
Touch Connector	USB
Surface Hardness	7

Installation



15.6" Open Frame Panel PC | DM156C

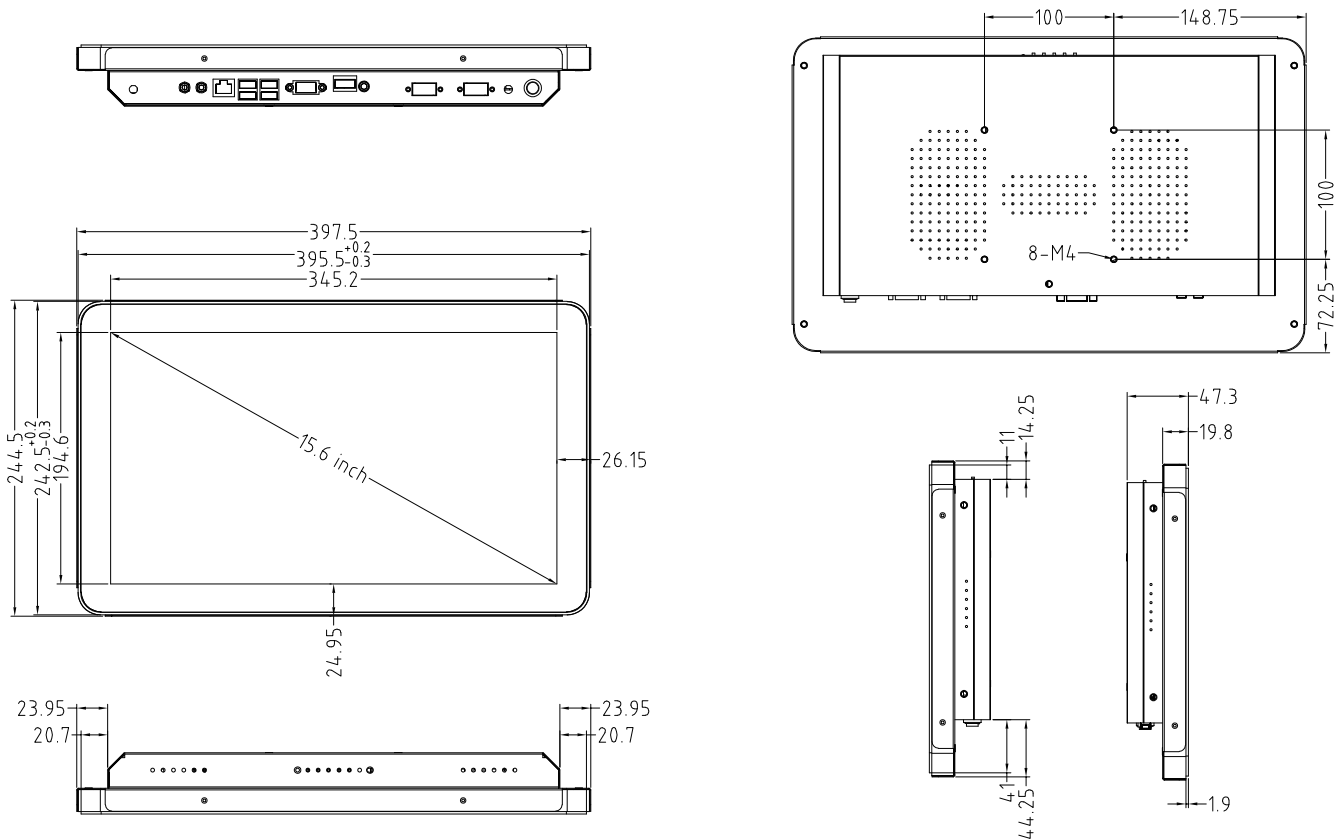


Easy Mounting Design

Specific design for open frame mounting

Robust Built

3mm Tempered Glass + Full metal Chassis



PC System

CPU	Intel® Celeron® Processor J4125	Intel core i3/i5/i7 optional
Graphic GPU	Intel® UHD Graphics	Intel® UHD Graphics
Audio	HD Audio	HD Audio
Memory	Netac-DDR4-2666MHz-SODIMM-8G	8G Optional
Storage	Foresee mSATA-128GB	32GB/64GB/256GB/512GB
Network	WIFI-NE238H-2.4G	Wifi 5G/BLE 5.1 optional
Pre-installed OS	Windows 10 Enterprise 2019 LTSC	Windows 10 Enterprise 2019 LTSC

LCD Panel

IP Rating	IP65 Front
Screen diagonal	15.6inch
Display active screen size (mm)	345.2(W)*194.6(H)
Aspect ratio	16:9
Physical resolution	1920*1080
Colours displayed	16.7M
Brightness (cd/m2)	250
Contrast	1000:1
Visual Angle H/V (°)	175/175
Backlight Lifetime (hours)	LED 30,000

Operation

Operating Temperature (°C)	0°C-50°C
Humidity Range (RH)	0% - 90%
Net weight (kg)	2.75kg
Gross weight (kg)	4.15kg
Housing material	Sheet Metal
Housing (mm) L × W × H	397.5*244.5*47.3
Mounting	100*100

Power

Power Supply	100-240V AC;
Working Power (V)	12
Power Consumption (W)	<36
Stand-By Consumption (W)	<1

Touch Panel

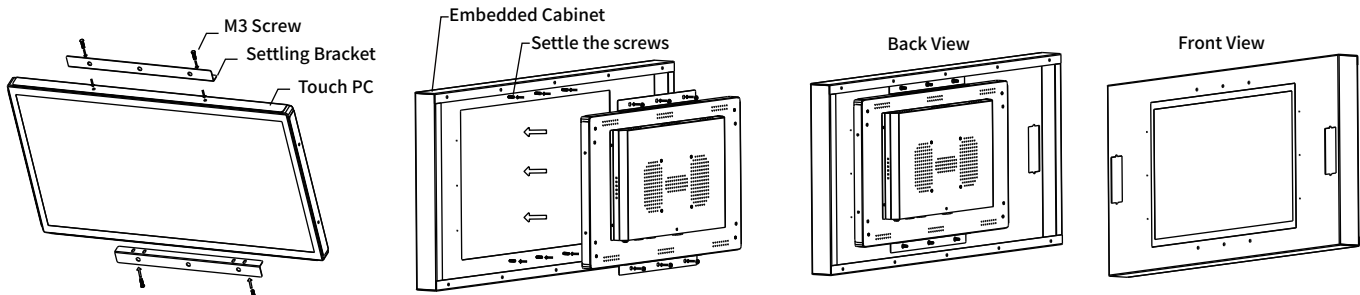
Touch Technology	Projected Capacitive
Touch Connector	USB
Surface Hardness	7

External Connectors

12v DC IN	x1	HDMI	x1
COM RS232	x1	USB 3.0	X1
RJ45 Ports	x1	F_Mic	x1
F_OUT	x1	USB 2.0	X3

Included in the Delivery

Manual	x1	Power Supply	x1
Settling Plate	X2	WIFI antenna	X1



Step 1:
According to the positioning screw holes, install the Settling plate of the all-in-one with screws. Install on both sides of the all-in-one (up down or left right).

Step 2:
Align the positioning studs and push the all-in-one from inside to outside. Insert and fix with nuts.

PC System

CPU	Intel® Celeron® Processor J4125	Intel core i3/i5/i7 optional
Graphic GPU	Intel® UHD Graphics	Intel® UHD Graphics
Audio	HD Audio	HD Audio
Memory	Netac-DDR4-2666MHz-SODIMM-8G	8G Optional
Storage	Foresee mSATA-128GB	32GB/64GB/256GB/512GB
Network	WIFI-NE238H-2.4G	Wifi 5G/BLE 5.1 optional
Pre-installed OS	Windows 10 Enterprise 2019 LTSC	Windows 10 Enterprise 2019 LTSC

LCD Panel

IP Rating	IP65 Front
Screen diagonal	17inch
Display active screen size (mm)	339(W)*271(H)mm
Aspect ratio	4:3
Physical resolution	1280*1024
Colours displayed	16.7M
Brightness (cd/m2)	250
Contrast	1000:1
Visual Angle H/V (°)	175/175
Backlight Lifetime (hours)	LED 30,000

Power

Power Supply	100-240V AC;
Working Power (V)	12
Power Consumption (W)	<36
Stand-By Consumption (W)	<1

External Connectors

12v DC IN	x1	HDMI	x1
COM RS232	x1	USB 3.0	X1
RJ45 Ports	x1	F_Mic	x1
F_OUT	x1	USB 2.0	X3

Included in the Delivery

Manual	x1	Power Supply	x1
Wall mount bracket	x1	WIFI antenna	X1

Operation

Operating Temperature (°C)	0°C-50°C
Humidity Range (RH)	0% - 90%
Net weight (kg)	4.87kg
Gross weight (kg)	6.5kg
Housing material	Sheet Metal
Housing (mm) L × W × H	377*309*46
Mounting	100*100/75*75

Touch Panel

Touch Technology	Projected Capacitive
Touch Connector	USB
Surface Hardness	7

Installation



19" Open Frame Panel PC | DM19NC

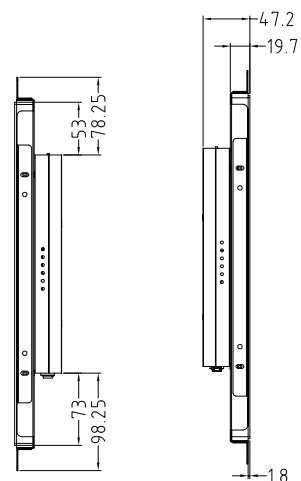
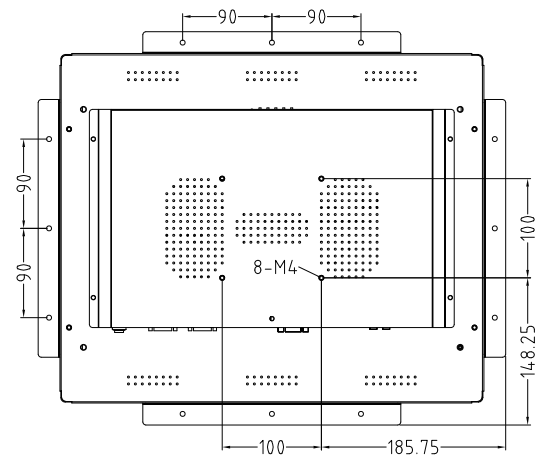
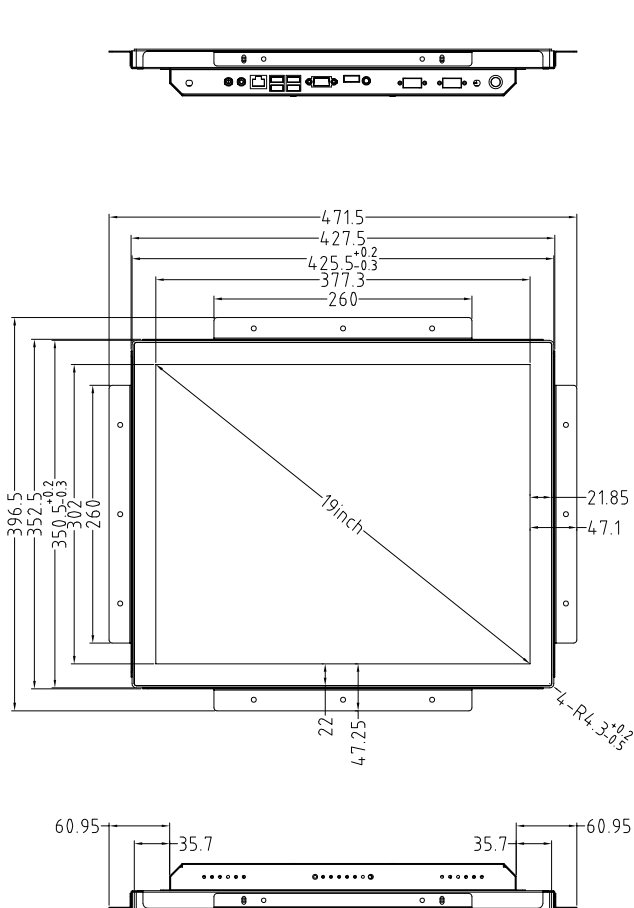


Easy Mounting Design

Specific design for open frame mounting

Robust Built

3mm Tempered Glass + Full metal Chassis



PC System

CPU	Intel® Celeron® Processor J4125	Intel core i3/i5/i7 optional
Graphic GPU	Intel® UHD Graphics	Intel® UHD Graphics
Audio	HD Audio	HD Audio
Memory	Netac-DDR4-2666MHz-SODIMM-8G	8G Optional
Storage	Foresee mSATA-128GB	32GB/64GB/256GB/512GB
Network	WIFI-NE238H-2.4G	Wifi 5G/BLE 5.1 optional
Pre-installed OS	Windows 10 Enterprise 2019 LTSC	Windows 10 Enterprise 2019 LTSC

LCD Panel

IP Rating	IP65 Front
Screen diagonal	19inch
Display active screen size (mm)	377.3(W)*302(H)m
Aspect ratio	5:4
Physical resolution	1280*1024
Colours displayed	16.7M
Brightness (cd/m2)	250
Contrast	1000:1
Visual Angle H/V (°)	175/175
Backlight Lifetime (hours)	LED 30,000

Operation

Operating Temperature (°C)	0°C-50°C
Humidity Range (RH)	0% - 90%
Net weight (kg)	5.5kg
Gross weight (kg)	7.3kg
Housing material	Sheet Metal
Housing (mm) L × W × H	427.5*352.5*47.2
Mounting	100*100

Power

Power Supply	100-240V AC;
Working Power (V)	12
Power Consumption (W)	<36
Stand-By Consumption (W)	<1

Touch Panel

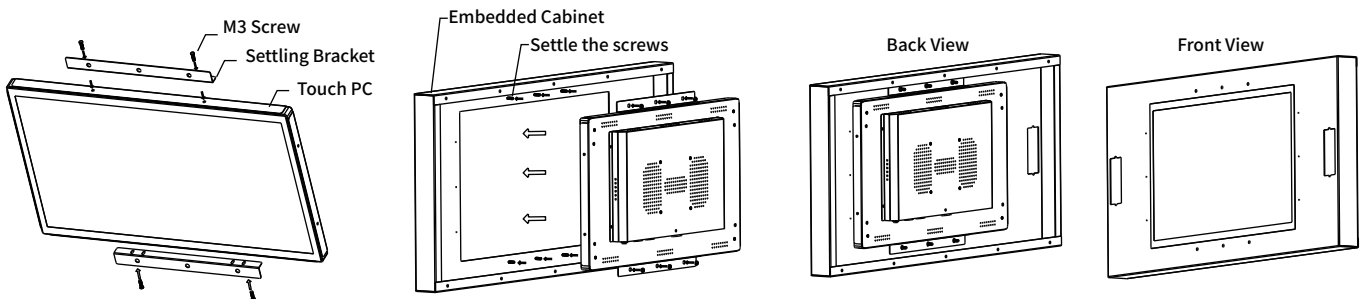
Touch Technology	Projected Capacitive
Touch Connector	USB
Surface Hardness	7

External Connectors

12v DC IN	x1	HDMI	x1
COM RS232	x1	USB 3.0	X1
RJ45 Ports	x1	F_Mic	x1
F_OUT	x1	USB 2.0	X3

Included in the Delivery

Manual	x1	Power Supply	x1
Settling Plate	X2	WIFI antenna	X1



Step 1:
According to the positioning screw holes, install the Settling plate of the all-in-one with screws, install on both sides of the all-in-one (up down or left right).

Step 2:
Align the positioning studs and push the all-in-one from inside to outside, insert and fix with nuts.

19" Industrial Panel PC | DM19N

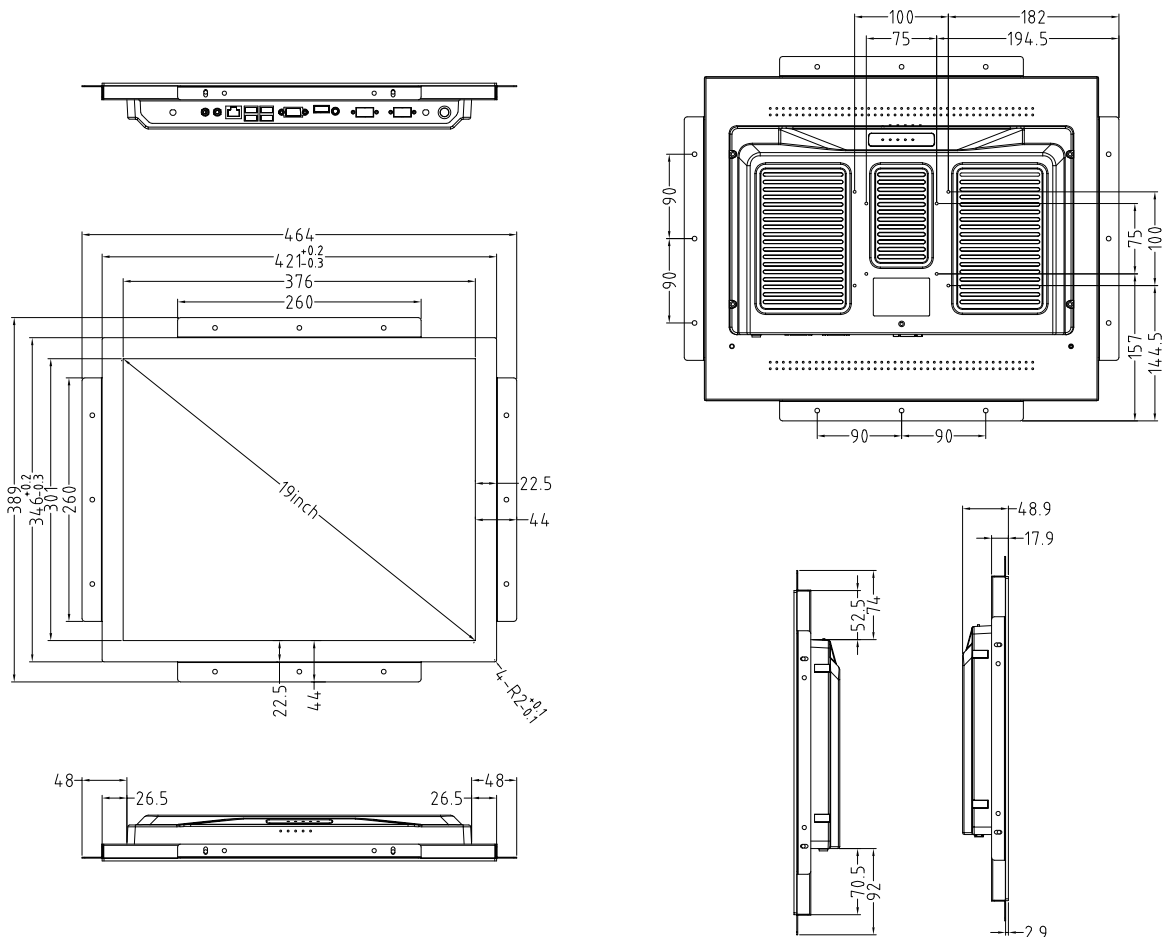


Versatile Mounting options

Wall mount / Embedded / Open Frame

Robust Built

3mm Tempered Glass + Full metal Chassis



PC System

CPU	Intel® Celeron® Processor J4125	Intel core i3/i5/i7 optional
Graphic GPU	Intel® UHD Graphics	Intel® UHD Graphics
Audio	HD Audio	HD Audio
Memory	Netac-DDR4-2666MHz-SODIMM-8G	8G Optional
Storage	Foresee mSATA-128GB	32GB/64GB/256GB/512GB
Network	WIFI-NE238H-2.4G	Wifi 5G/BLE 5.1 optional
Pre-installed OS	Windows 10 Enterprise 2019 LTSC	Windows 10 Enterprise 2019 LTSC

LCD Panel

IP Rating	IP65 Front
Screen diagonal	19inch
Active screen size (mm)	375(W)*300(H)
Aspect ratio	5:4
Physical resolution	1280*1024
Colours displayed	16.7M , 72% NTSC
Brightness (cd/m2)	≥250cd
Contrast	1000:1
Visual Angle H/V (°)	89/89/89/89 (Typ.)(CR≥10)
Backlight Lifetime (hrs)	LED 30,000

Power

Power Supply	100-240V AC;
Working Power (V)	12
Power Consumption (W)	<48
Stand-By Consumption (W)	<1

External Connectors

12v DC IN	x1	HDMI	x1
COM RS232	x1	USB 3.0	X1
RJ45 Ports	x1	F_Mic	x1
F_OUT	x1	USB 2.0	X3

Included in the Delivery

Manual	x1	Power Supply	x1
Wall mount bracket	x1	WIFI antenna	X1

Operation

Operating Temperature (°C)	0°C-50°C
Humidity Range (RH)	10% - 80%
Net weight (kg)	5.9kg
Gross weight (kg)	7.7kg
Housing material	Sheet Metal
Housing (mm) L × W × H	421*346*45.9
Mounting	100*100

Touch Panel

Touch Technology	Projected Capacitive
Touch Connector	USB
Surface Hardness	7

Installation



21.5" Open Frame Panel PC | DM215C

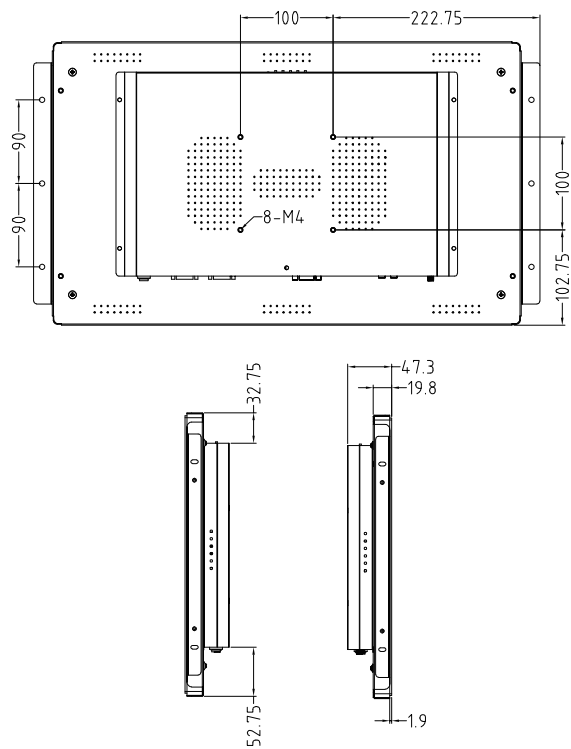
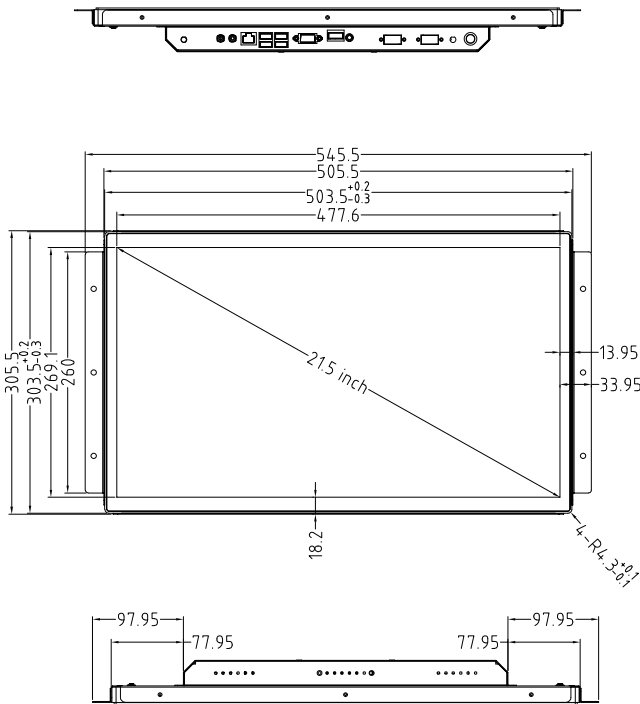


Easy Mounting Design

Specific design for open frame mounting

Robust Built

3mm Tempered Glass + Full metal Chassis



PC System

CPU	Intel® Celeron® Processor J4125	Intel core i3/i5/i7 optional
Graphic GPU	Intel® UHD Graphics	Intel® UHD Graphics
Audio	HD Audio	HD Audio
Memory	Netac-DDR4-2666MHz-SODIMM-8G	8G Optional
Storage	Foresee mSATA-128GB	32GB/64GB/256GB/512GB
Network	WIFI-NE238H-2.4G	Wifi 5G/BLE 5.1 optional
Pre-installed OS	Windows 10 Enterprise 2019 LTSC	Windows 10 Enterprise 2019 LTSC

LCD Panel

IP Rating	IP65 Front
Screen diagonal	21.5inch
Display active screen size (mm)	477.6(W)*269.1(H)
Aspect ratio	16:9
Physical resolution	1920*1080
Colours displayed	16.7M
Brightness (cd/m2)	300
Contrast	1000:1
Visual Angle H/V (°)	175/175
Backlight Lifetime (hours)	LED 30,000

Operation

Operating Temperature (°C)	0°C-50°C
Humidity Range (RH)	0% - 90%
Net weight (kg)	5.35kg
Gross weight (kg)	7.45kg
Housing material	Sheet Metal
Housing (mm) L × W × H	505.5*305.5*47.3
Mounting	100*100

Power

Power Supply	100-240V AC;
Working Power (V)	12
Power Consumption (W)	<36
Stand-By Consumption (W)	<1

Touch Panel

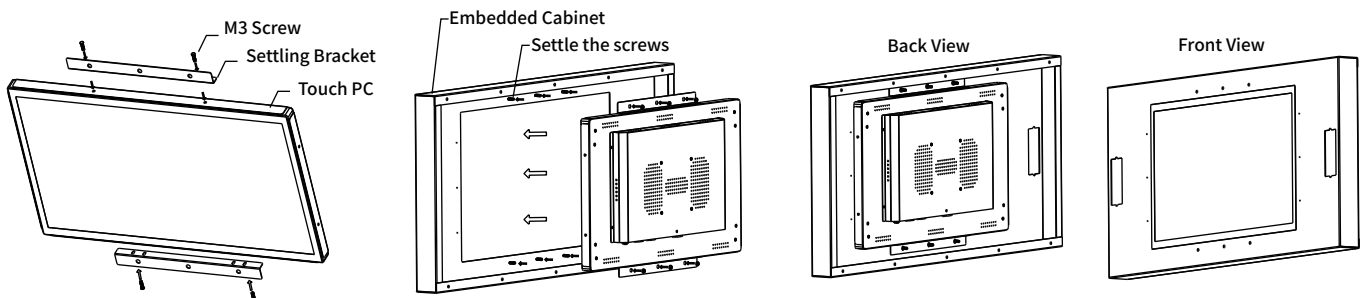
Touch Technology	Projected Capacitive
Touch Connector	USB
Surface Hardness	7

External Connectors

12v DC IN	x1	HDMI	x1
COM RS232	x1	USB 3.0	X1
RJ45 Ports	x1	F_Mic	x1
F_OUT	x1	USB 2.0	X3

Included in the Delivery

Manual	x1	Power Supply	x1
Settling Plate	X2	WIFI antenna	X1



Step 1:
According to the positioning screw holes, install the Settling plate of the all-in-one with screws. Install on both sides of the all-in-one (up down or left right).

Step 2:
Align the positioning studs and push the all-in-one from inside to outside. Insert and fix with nuts.

Self-Service Station



Membership



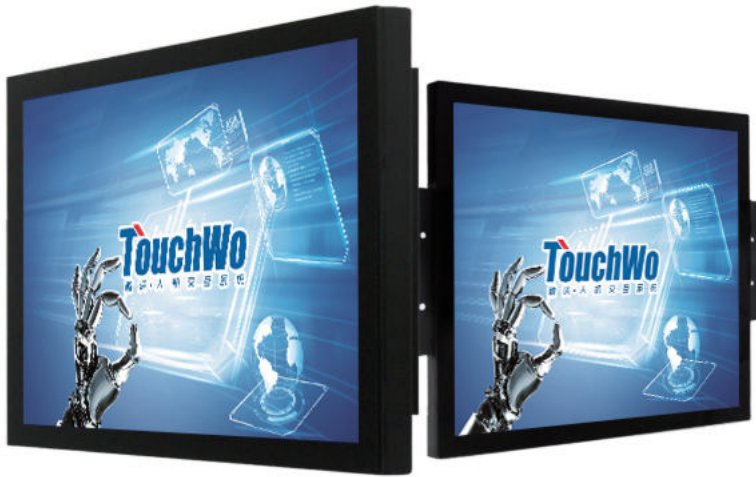
Payment



Get a Pass



Open
Frame Touch



A robust Windows PC designed to applied in multiple types of installation, with open frame structure.

The industrial grade Touch IC leads DM series touch monitor works reliably even in the cruel environment. Such as High static electricity, high electromagnetic interference, high temperature, low temperature.

Monitor

10.1" Touchscreen Monitor |

DM101

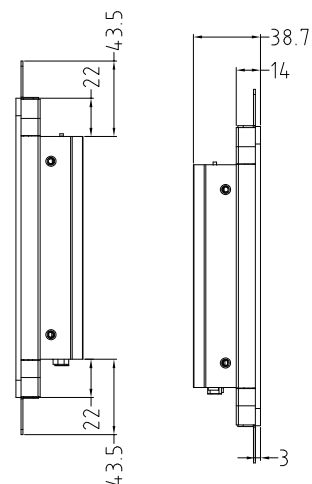
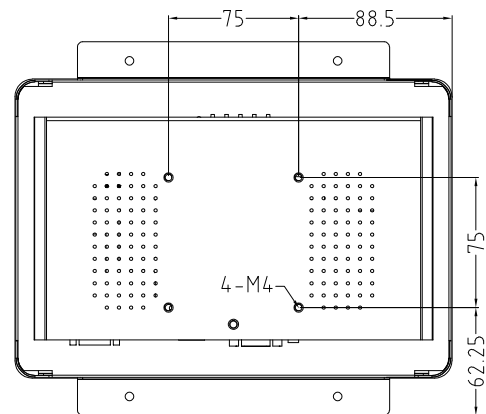
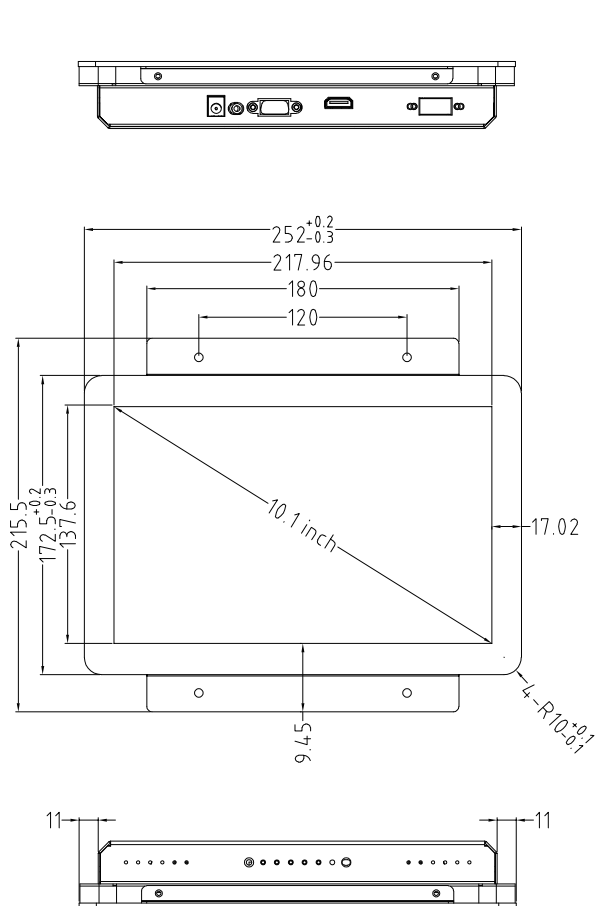


Easy Mounting Design

Specific design for open frame mounting

Robust Built

3mm Tempered Glass + Full metal Chassis



LCD Panel

IP Rating	IP65 Front
Screen diagonal	10.1inch
Display active screen size	218(W)*136.5(H)mm
Aspect ratio	16:10
Physical resolution	1920*1200
Colours displayed	16.7M
Brightness (cd/m2)	250
Contrast	1000:1
Visual Angle H/V (°)	175/175
Backlight Lifetime (hours)	LED 30,000

Touch Panel

Touch Technology	Projected Capacitive 10-Point Multitouch
Touch Connector	USB
Surface Hardness	7h

External Connectors

12v DC IN	x1	HDMI IN	x1
USB	x1	Audio I/O	x1
VGA	x1		

Power

Power Supply	100-240V AC;
Working Power (V)	12
Power Consumption (W)	<20
Stand-By Consumption (W)	<1

Operation

Operating Temperature (°C)	0°C-50°C
Humidity Range (RH)	0% - 90%
Net weight (kg)	1.77kg
Gross weight (kg)	2.88kg
Housing material	Sheet Metal
Housing (mm) L × W × H	252*172.5*40
Mounting	75*75/100*100

Included in the Delivery

Manual	x1	Power Supply	x1
Settling Plate	X2	USB CABLE + HDMI CABLE	X1

Installation



10.4" Touchscreen Monitor |

DM104

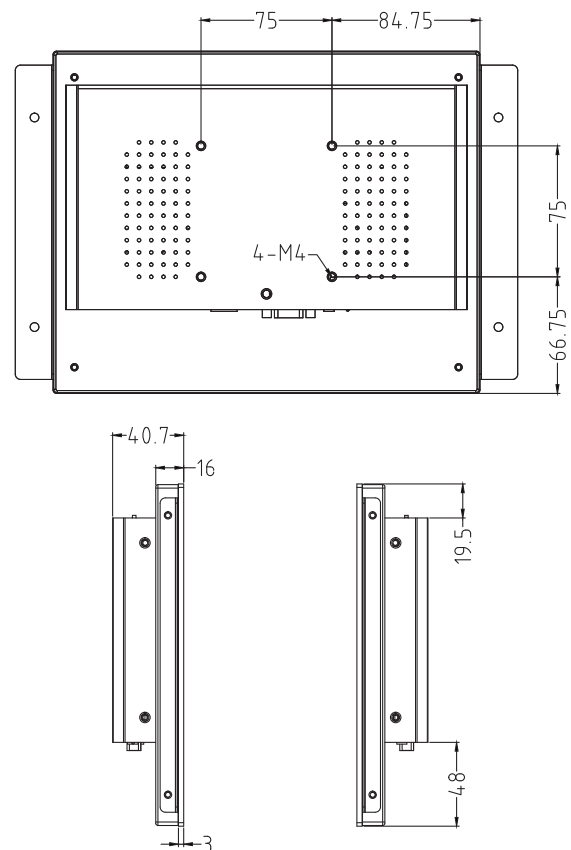
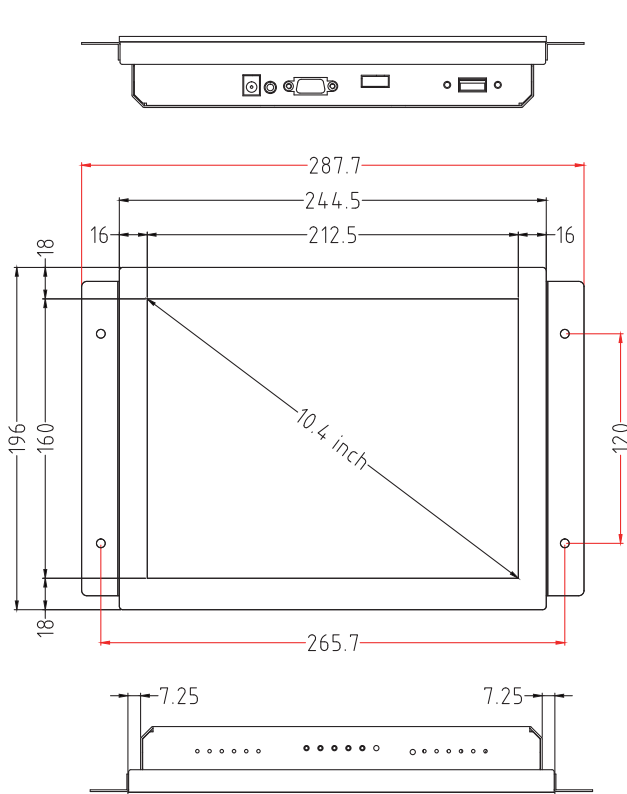


Easy Mounting Design

Specific design for open frame mounting

Robust Built

3mm Tempered Glass + Full metal Chassis



LCD Panel

IP Rating	IP65 Front
Screen diagonal	10.4inch
Display active screen size	212.5(W)*160(H)mm
Aspect ratio	4:3
Physical resolution	1024*768
Colours displayed	16.7M
Brightness (cd/m2)	250
Contrast	1000:1
Visual Angle H/V (°)	175/175
Backlight Lifetime (hours)	LED 30,000

Touch Panel

Touch Technology	Projected Capacitive 10-Point Multitouch
Touch Connector	USB
Surface Hardness	7h

External Connectors

12v DC IN	x1	HDMI IN	x1
USB	x1	Audio I/O	x1
VGA	x1		

Power

Power Supply	100-240V AC;
Working Power (V)	12
Power Consumption (W)	<20
Stand-By Consumption (W)	<1

Operation

Operating Temperature (°C)	0°C-50°C
Humidity Range (RH)	0% - 90%
Net weight (kg)	1.6kg
Gross weight (kg)	2.8kg
Housing material	Sheet Metal
Housing (mm) L × W × H	244.5*196*40.7
Mounting	75*75/100*100

Included in the Delivery

Manual	x1	Power Supply	x1
Settling Plate	X2	USB CABLE + HDMI CABLE	X1

Installation



12.1" Touchscreen Monitor |

DM121N

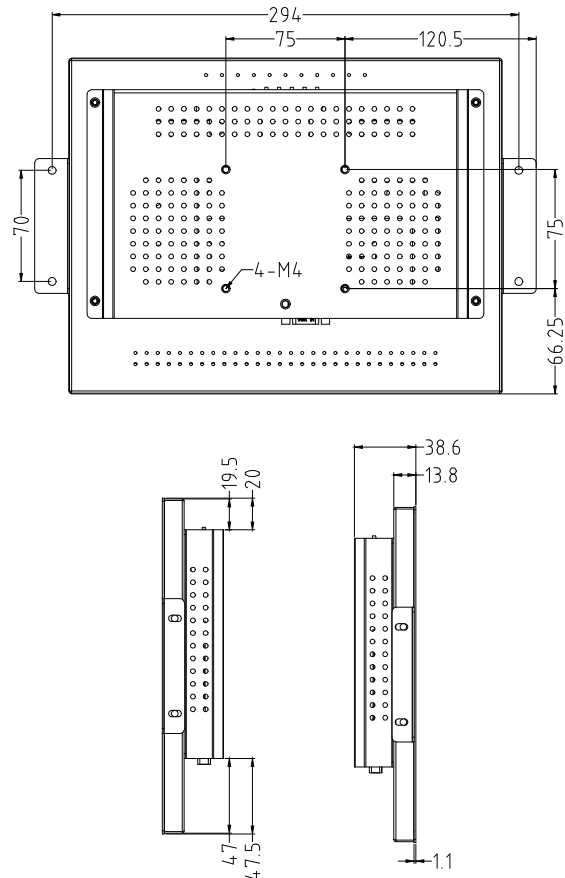
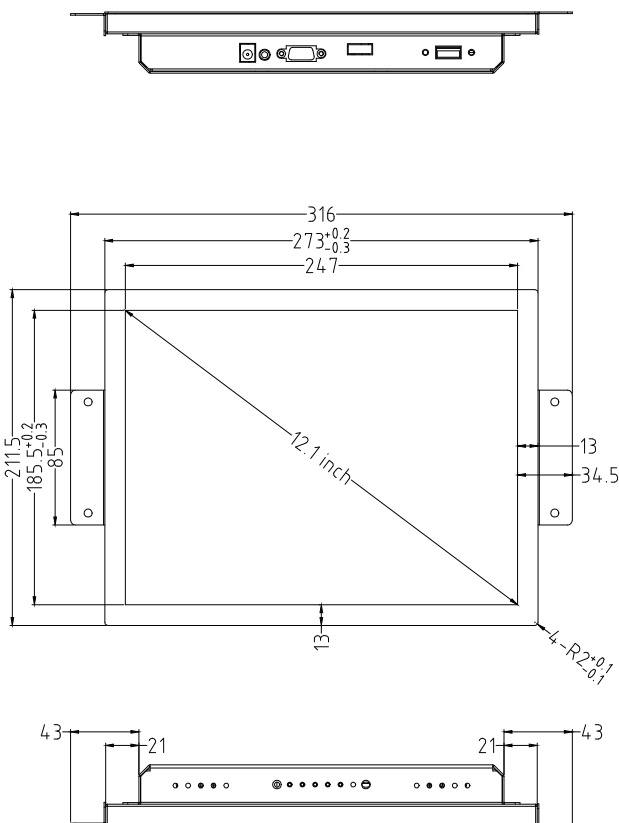


Easy Mounting Design

Specific design for open frame mounting

Robust Built

3mm Tempered Glass + Full metal Chassis



LCD Panel

IP Rating	IP65 Front
Screen diagonal	12.1inch
Display active screen size	247(W)*185.5(H)
Aspect ratio	4:3
Physical resolution	1024*768
Colours displayed	16.7M
Brightness (cd/m2)	400
Contrast	1000:1
Visual Angle H/V (°)	80/80/70/70 (Typ.)
Backlight Lifetime (hours)	LED 30,000

Touch Panel

Touch Technology	Projected Capacitive 10-Point Multitouch
Touch Connector	USB
Surface Hardness	7h

External Connectors

12v DC IN	x1	HDMI IN	x1
USB	x1	Audio I/O	x1
VGA	x1		

Power

Power Supply	100-240V AC;
Working Power (V)	12
Power Consumption (W)	<20
Stand-By Consumption (W)	<1

Operation

Operating Temperature (°C)	0°C-50°C
Humidity Range (RH)	10% - 80%
Net weight (kg)	1.98kg
Gross weight (kg)	3.12kg
Housing material	Sheet Metal
Housing (mm) L × W × H	273*211.5*39.5
Mounting	75*75

Included in the Delivery

Manual	x1	Power Supply	x1
Settling Plate	X2	USB CABLE + HDMI CABLE	X1

Installation



15" Touchscreen Monitor |

DM15N

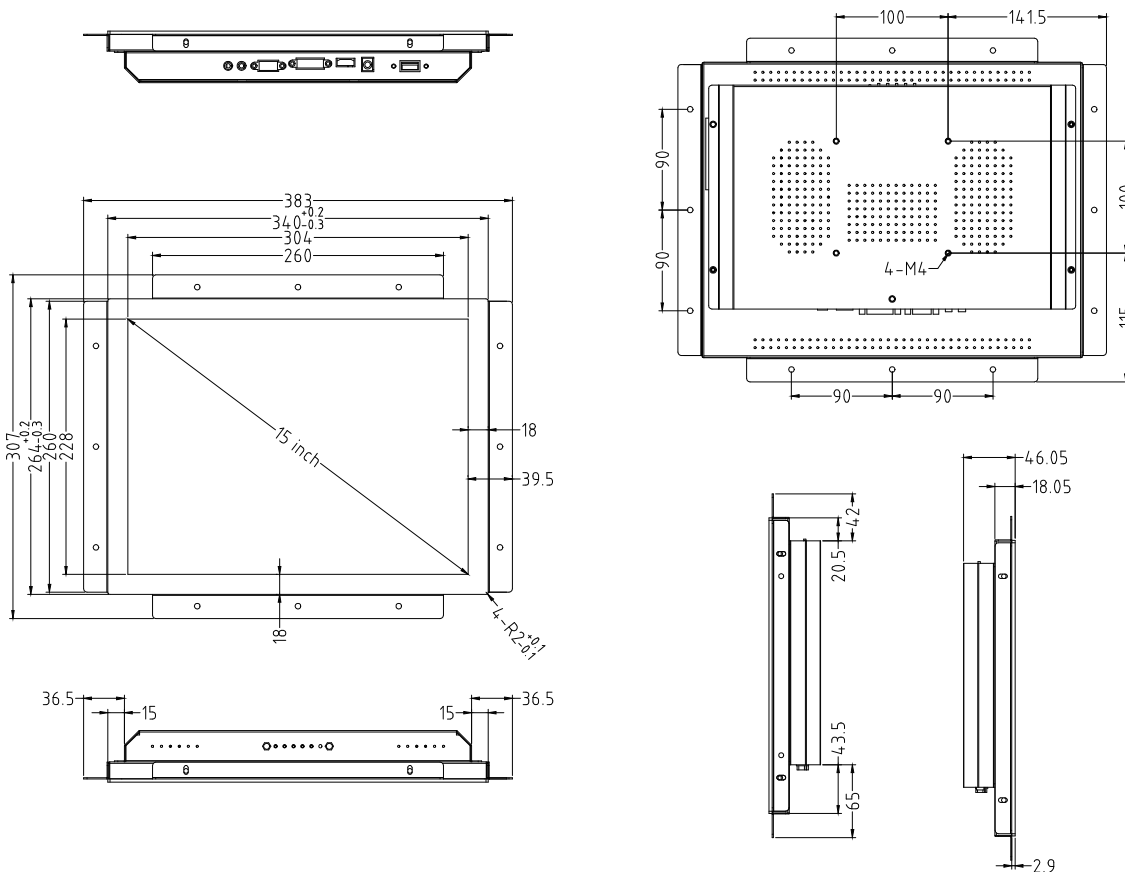


Easy Mounting Design

Specific design for open frame mounting

Robust Built

3mm Tempered Glass + Full metal Chassis



LCD Panel

IP Rating	IP65 Front
Screen diagonal	15inch
Display active screen size	304(W)*228(H)mm
Aspect ratio	4:3
Physical resolution	1024*768
Colours displayed	16.7M
Brightness (cd/m2)	250
Contrast	1000:1
Visual Angle H/V (°)	175/175
Backlight Lifetime (hours)	LED 30,000

Touch Panel

Touch Technology	Projected Capacitive 10-Point Multitouch
Touch Connector	USB
Surface Hardness	7h

External Connectors

12v DC IN	x1	HDMI IN	x1
USB	x1	Audio I/O	x1
VGA	x1	DVI	x1

Power

Power Supply	100-240V AC;
Working Power (V)	12
Power Consumption (W)	<20
Stand-By Consumption (W)	<1

Operation

Operating Temperature (°C)	0°C-50°C
Humidity Range (RH)	0% - 90%
Net weight (kg)	4.04kg
Gross weight (kg)	6kg
Housing material	Sheet Metal
Housing (mm) L × W × H	340*264*46
Mounting	100*100

Included in the Delivery

Manual	x1	Power Supply	x1
Settling Plate	X2	USB CABLE + HDMI CABLE	X1

Installation



15.6" Touchscreen Monitor |

DM156

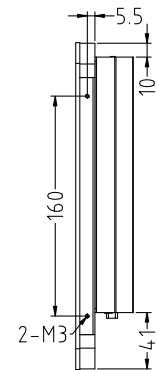
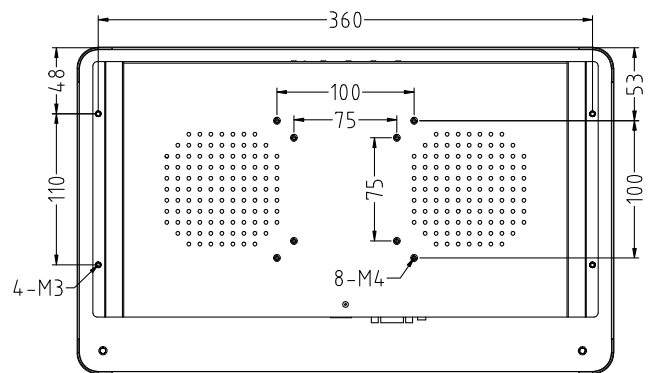
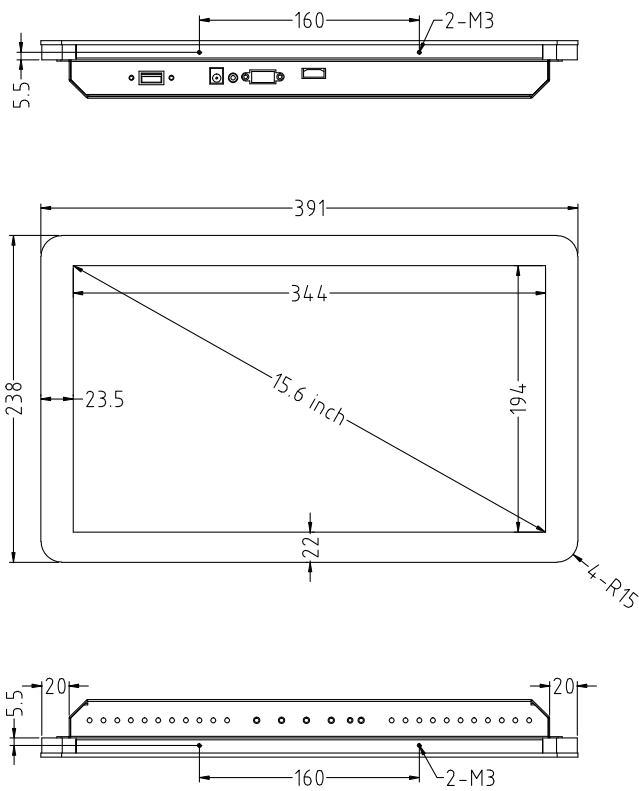


Easy Mounting Design

Specific design for open frame mounting

Robust Built

3mm Tempered Glass + Full metal Chassis



LCD Panel

IP Rating	IP65 Front
Screen diagonal	15.6inch
Display active screen size	345.2(W)*194.6(H)mm
Aspect ratio	16:9
Physical resolution	1920*1080
Colours displayed	16.7M
Brightness (cd/m2)	≤250
Contrast	1000:1
Visual Angle H/V (°)	175/175
Backlight Lifetime (hours)	LED 30,000

Touch Panel

Touch Technology	Projected Capacitive 10-Point Multitouch
Touch Connector	USB
Surface Hardness	7h

External Connectors

12v DC IN	x1	HDMI IN	x1
USB	x1	Audio I/O	x1
VGA	x1	DVI	x1

Power

Power Supply	100-240V AC;
Working Power (V)	12
Power Consumption (W)	<20
Stand-By Consumption (W)	<1

Operation

Operating Temperature (°C)	0°C-50°C
Humidity Range (RH)	0% - 90%
Net weight (kg)	3.3kg
Gross weight (kg)	4.7kg
Housing material	Sheet Metal
Housing (mm) L × W × H	391*238*41.9
Mounting	100*100/75*75

Included in the Delivery

Manual	x1	Power Supply	x1
Settling	X2	USB CABLE + HDMI CABLE	X1
Plate			

Installation



15.6" Touchscreen Monitor |

DM156C

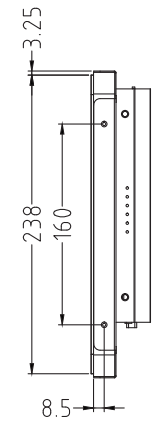
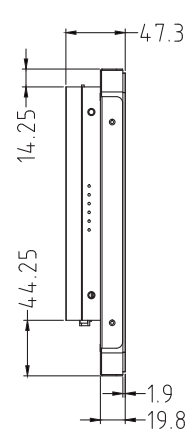
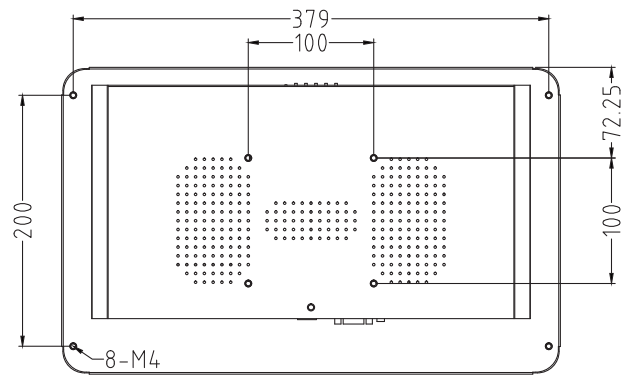
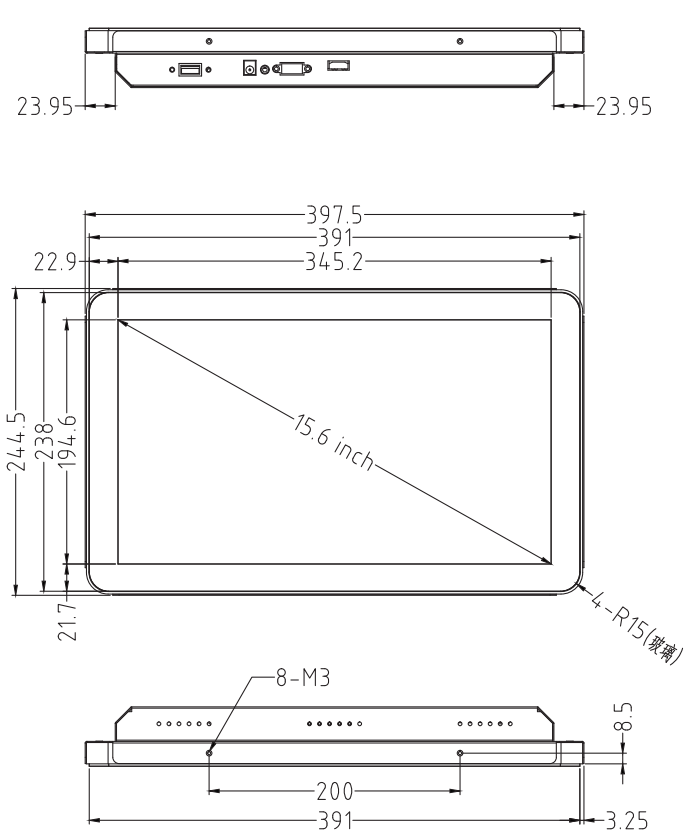


Easy Mounting Design

Specific design for open frame mounting

Robust Built

3mm Tempered Glass + Full metal Chassis



LCD Panel

IP Rating	IP65 Front
Screen diagonal	15.6inch
Display active screen size	345.2(W)*194.6(H)mm
Aspect ratio	16:9
Physical resolution	1920*1080
Colours displayed	16.7M
Brightness (cd/m2)	≤250
Contrast	1000:1
Visual Angle H/V (°)	175/175
Backlight Lifetime (hours)	LED 30,000

Touch Panel

Touch Technology	Projected Capacitive 10-Point Multitouch
Touch Connector	USB
Surface Hardness	7h

External Connectors

12v DC IN	x1	HDMI IN	x1
USB	x1	Audio I/O	x1
VGA	x1	DVI	x1

Power

Power Supply	100-240V AC;
Working Power (V)	12
Power Consumption (W)	<20
Stand-By Consumption (W)	<1

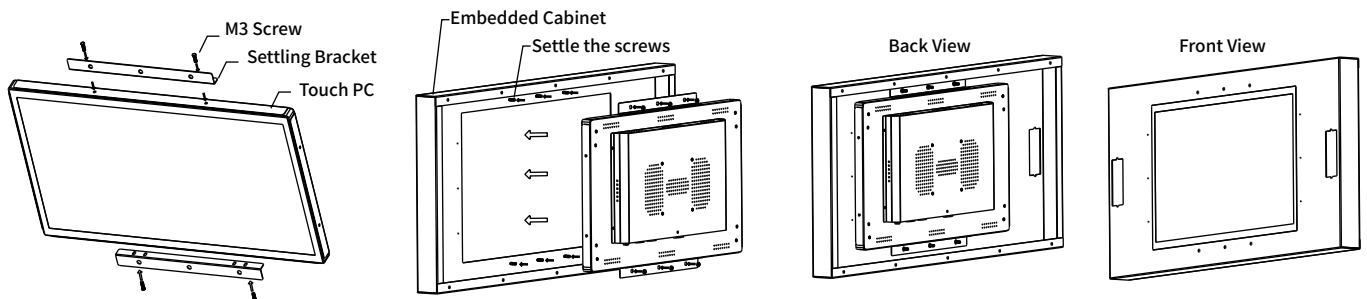
Operation

Operating Temperature (°C)	0°C-50°C
Humidity Range (RH)	0% - 90%
Net weight (kg)	2.75kg
Gross weight (kg)	4.15kg
Housing material	Sheet Metal
Housing (mm) L × W × H	397.5*244.5*47.3
Mounting	100*100

Included in the Delivery

Manual	x1	Power Supply	x1
Settling	X2	USB CABLE +	X1
Plate		HDMI CABLE	

Installation



Step 1:
According to the positioning screw holes, install the Settling plate of the all-in-one with screws, Install on both sides of the all-in-one (up down or left right).

Step 2:
Align the positioning studs and push the all-in-one from inside to outside, Insert and fix with nuts.

17" Touchscreen Monitor |

DM17N

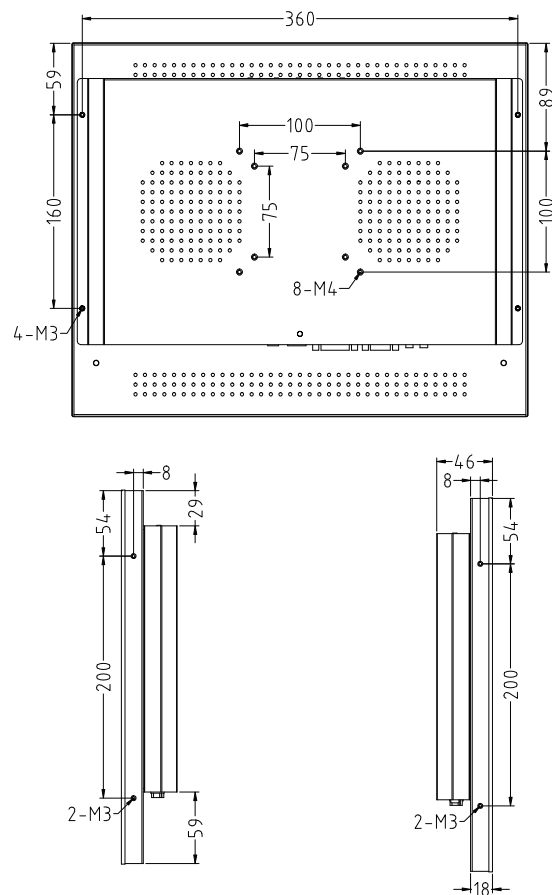
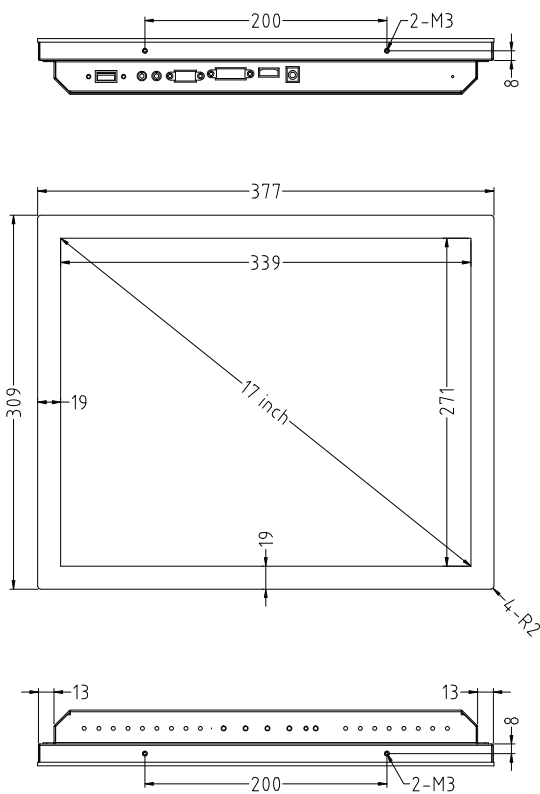


Easy Mounting Design

Specific design for open frame mounting

Robust Built

3mm Tempered Glass + Full metal Chassis



LCD Panel

IP Rating	IP65 Front
Screen diagonal	17inch
Display active screen size	339(W)*271(H)mm
Aspect ratio	4:3
Physical resolution	1280*1024
Colours displayed	16.7M
Brightness (cd/m2)	250
Contrast	1000:1
Visual Angle H/V (°)	175/175
Backlight Lifetime (hours)	LED 30,000

Touch Panel

Touch Technology	Projected Capacitive 10-Point Multitouch
Touch Connector	USB
Surface Hardness	7h

External Connectors

12v DC IN	x1	HDMI IN	x1
USB	x1	Audio I/O	x1
VGA	x1	DVI	x1

Power

Power Supply	100-240V AC;
Working Power (V)	12
Power Consumption (W)	<20
Stand-By Consumption (W)	<1

Operation

Operating Temperature (°C)	0°C-50°C
Humidity Range (RH)	0% - 90%
Net weight (kg)	4.87kg
Gross weight (kg)	6.5kg
Housing material	Sheet Metal
Housing (mm) L × W × H	377*309*46
Mounting	100*100/75*75

Included in the Delivery

Manual	x1	Power Supply	x1
Settling Plate	X2	USB CABLE + HDMI CABLE	X1

Installation



19" Touchscreen Monitor |

DM19N

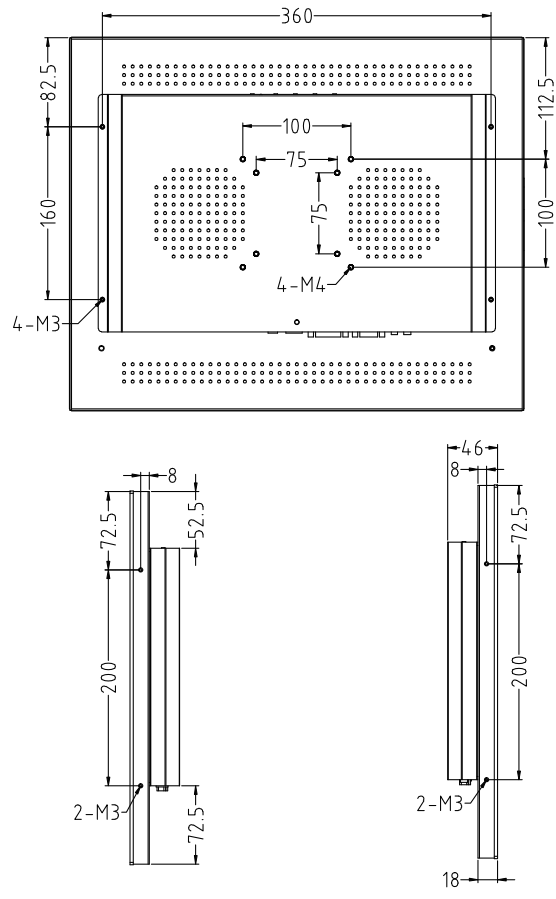
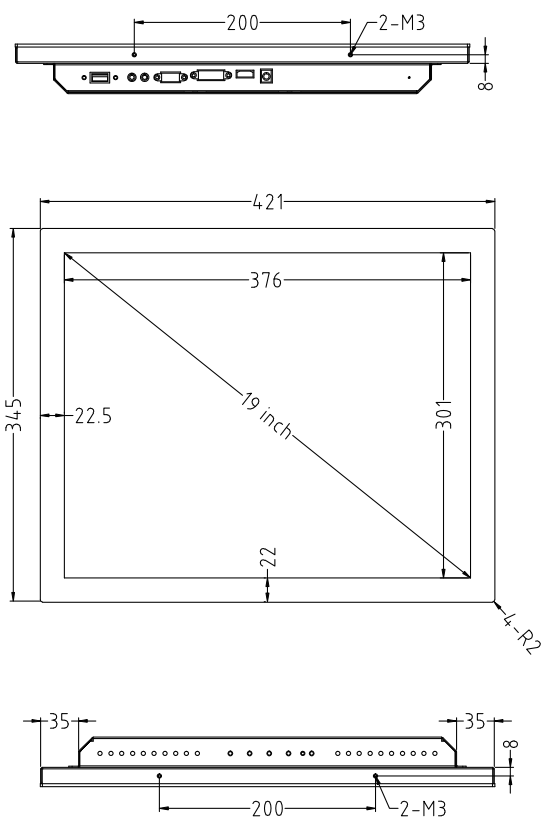


Easy Mounting Design

Specific design for open frame mounting

Robust Built

3mm Tempered Glass + Full metal Chassis



LCD Panel

IP Rating	IP65 Front
Screen diagonal	19inch
Display active screen size	375(W)*300(H)
Aspect ratio	5:4
Physical resolution	1280*1024
Colours displayed	16.7M , 72% NTSC
Brightness (cd/m2)	≥250cd
Contrast	1000:1
Visual Angle H/V (°)	89/89/89/89 (Typ.)(CR≥10)
Backlight Lifetime (hours)	LED 30,000

Touch Panel

Touch Technology	Projected Capacitive 10-Point Multitouch
Touch Connector	USB
Surface Hardness	7h

External Connectors

12v DC IN	x1	HDMI IN	x1
USB	x1	Audio I/O	x1
VGA	x1	DVI	x1

Power

Power Supply	100-240V AC;
Working Power (V)	12
Power Consumption (W)	<20
Stand-By Consumption (W)	<1

Operation

Operating Temperature (°C)	0°C-50°C
Humidity Range (RH)	10% - 80%
Net weight (kg)	5.9kg
Gross weight (kg)	7.7kg
Housing material	Sheet Metal
Housing (mm) L × W × H	421*346*45.9
Mounting	100*100

Included in the Delivery

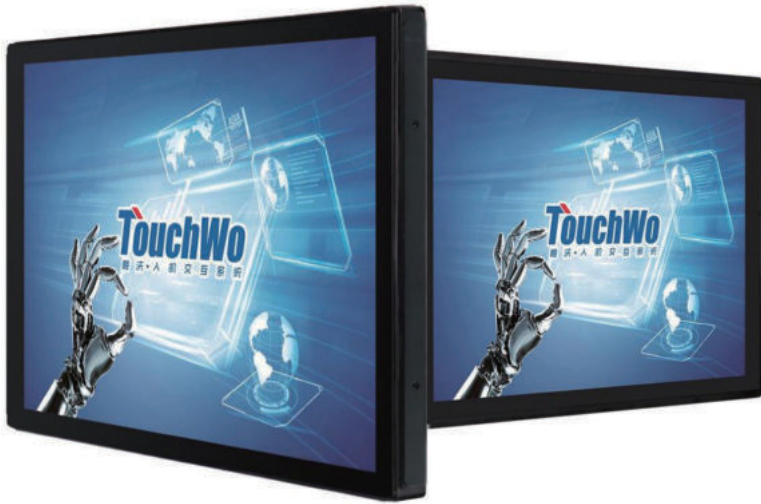
Manual	x1	Power Supply	x1
Settling Plate	X2	USB CABLE + HDMI CABLE	X1

Installation



19" Touchscreen Monitor |

DM19NC

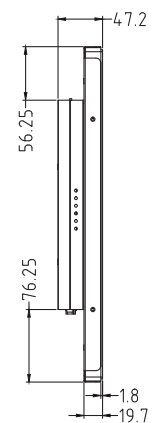
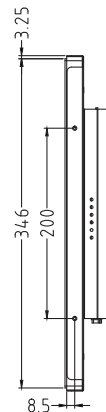
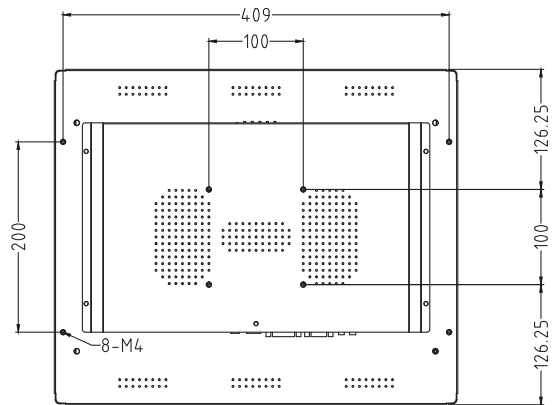
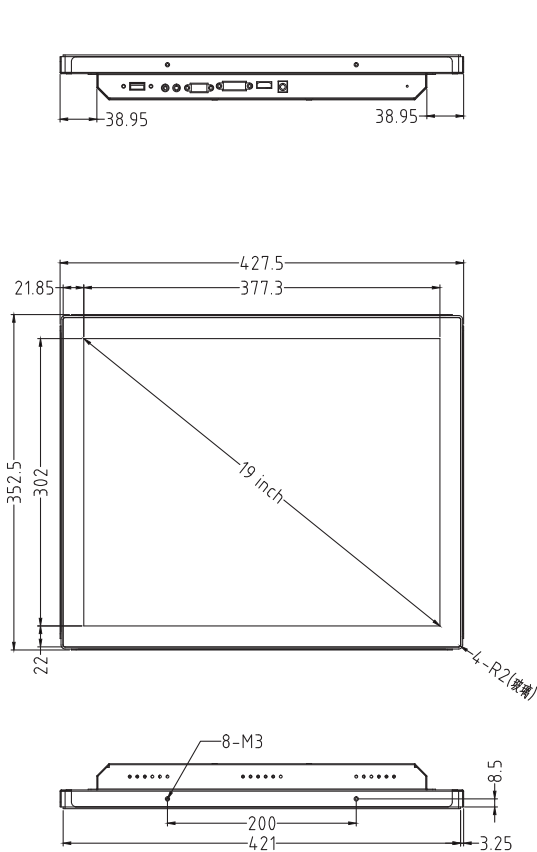


Easy Mounting Design

Specific design for open frame mounting

Robust Built

3mm Tempered Glass + Full metal Chassis



LCD Panel

IP Rating	IP65 Front
Screen diagonal	19inch
Display active screen size	376(W)*301(H)mm
Aspect ratio	5:4
Physical resolution	1280*1024
Colours displayed	16.7M
Brightness (cd/m2)	300
Contrast	1000:1
Visual Angle H/V (°)	175/175
Backlight Lifetime (hours)	LED 30,000

Touch Panel

Touch Technology	Projected Capacitive 10-Point Multitouch
Touch Connector	USB
Surface Hardness	7h

External Connectors

12v DC IN	x1	HDMI IN	x1
USB	x1	Audio I/O	x1
VGA	x1	DVI	x1

Power

Power Supply	100-240V AC;
Working Power (V)	12
Power Consumption (W)	<36
Stand-By Consumption (W)	<1

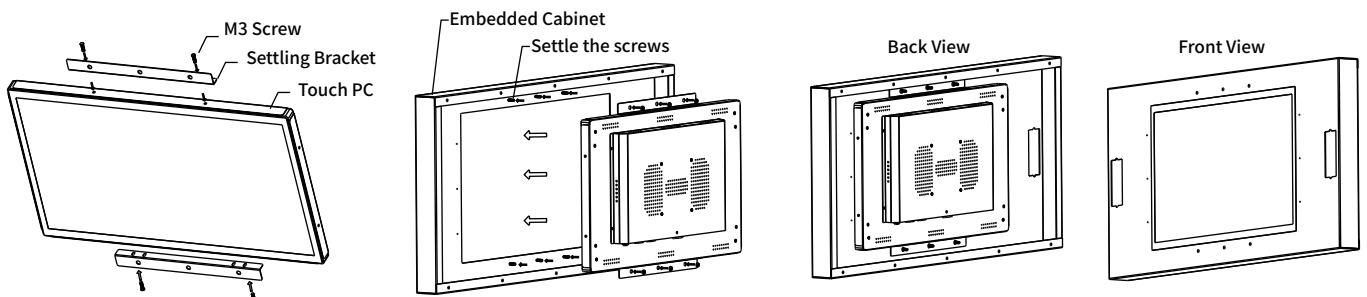
Operation

Operating Temperature (°C)	0°C-50°C
Humidity Range (RH)	0% - 90%
Net weight (kg)	5.5kg
Gross weight (kg)	7.3kg
Housing material	Sheet Metal
Housing (mm) L × W × H	427.5*352.5*47.2
Mounting	100*100

Included in the Delivery

Manual	x1	Power Supply	x1
Settling	X2	USB CABLE +	X1
Plate		HDMI CABLE	

Installation



Step 1:
According to the positioning screw holes, install the Settling plate of the all-in-one with screws, install on both sides of the all-in-one (up down or left right).

Step 2:
Align the positioning studs and push the all-in-one from inside to outside, insert and fix with nuts.

21.5" Touchscreen Monitor

DM215C

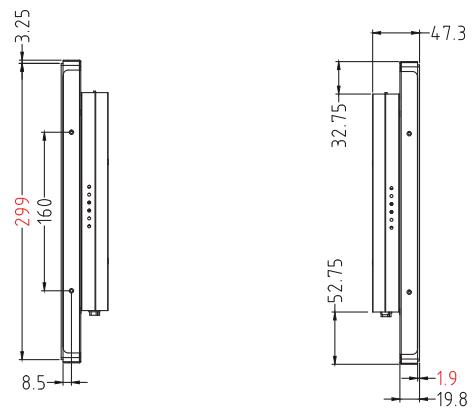
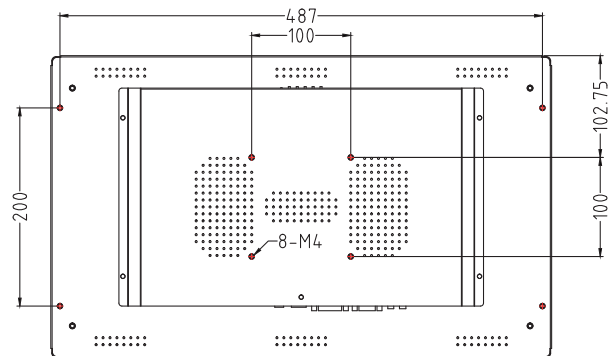
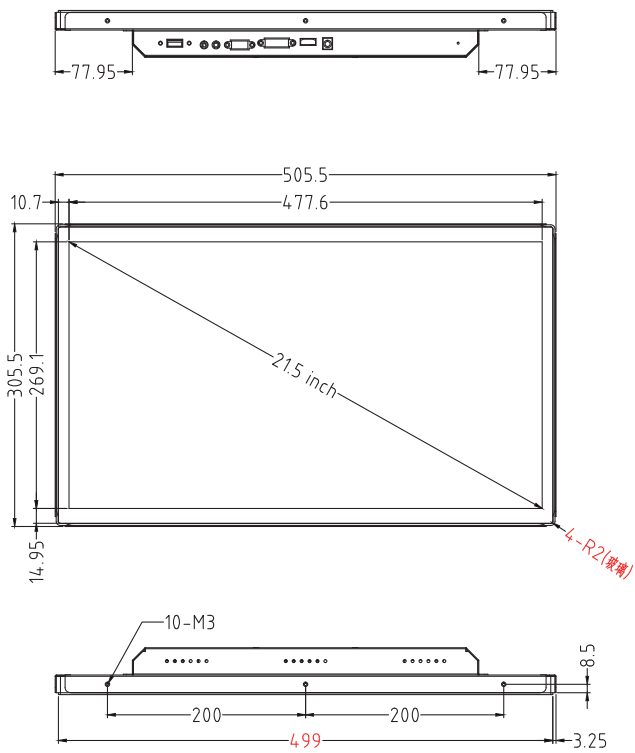


Easy Mounting Design

Specific design for open frame mounting

Robust Built

3mm Tempered Glass + Full metal Chassis



LCD Panel

IP Rating	IP65 Front
Screen diagonal	21.5inch
Display active screen size	477.6(W)*269.1(H)mm
Aspect ratio	16:9
Physical resolution	1920*1080
Colours displayed	16.7M
Brightness (cd/m2)	300
Contrast	1000:1
Visual Angle H/V (°)	175/175
Backlight Lifetime (hours)	LED 30,000

Touch Panel

Touch Technology	Projected Capacitive 10-Point Multitouch
Touch Connector	USB
Surface Hardness	7h

External Connectors

12v DC IN	x1	HDMI IN	x1
USB	x1	Audio I/O	x1
VGA	x1	DVI	x1

Power

Power Supply	100-240V AC;
Working Power (V)	12
Power Consumption (W)	<20
Stand-By Consumption (W)	<1

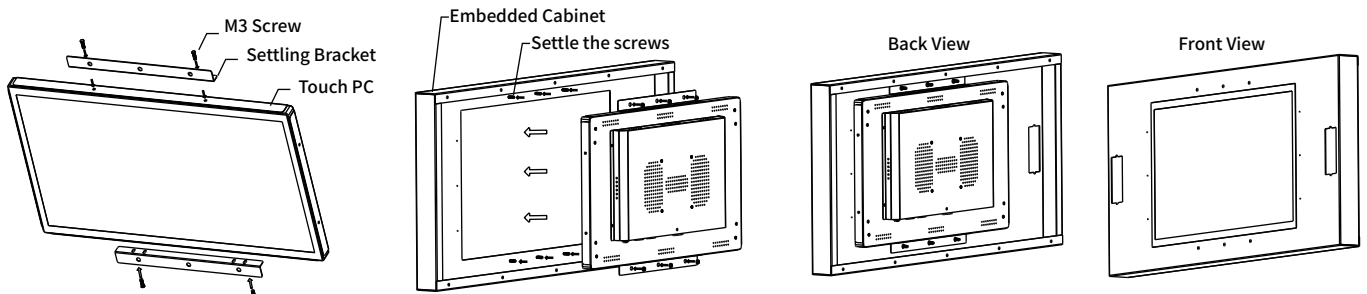
Operation

Operating Temperature (°C)	0°C-50°C
Humidity Range (RH)	0% - 90%
Net weight (kg)	5.35kg
Gross weight (kg)	7.45kg
Housing material	Sheet Metal
Housing (mm) L × W × H	505.5*305.5*47.3
Mounting	100*100

Included in the Delivery

Manual	x1	Power Supply	x1
Settling Plate	X2	USB CABLE + HDMI CABLE	X1

Installation



Step 1:
According to the positioning screw holes, install the Settling plate of the all-in-one with screws, install on both sides of the all-in-one (up down or left right).

Step 2:
Align the positioning studs and push the all-in-one from inside to outside, insert and fix with nuts.



Open Frame
Touchscreen for



A robust Android Tablet PC designed to applied in multiple types of installation, with open frame structure.

Android 11, as the heart of DM series, is reassuringly stable after applied in thousands of projects with improvements.

DM series is built to be the reliable brain of your equipment!

Android

10.1" Touchscreen for Android |

DM101

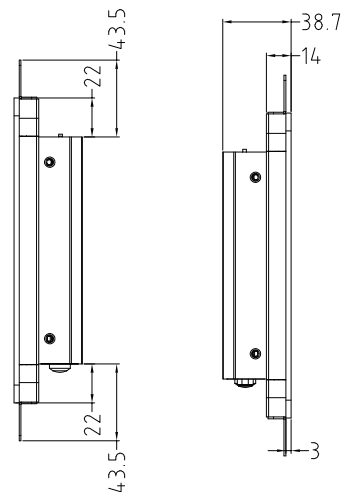
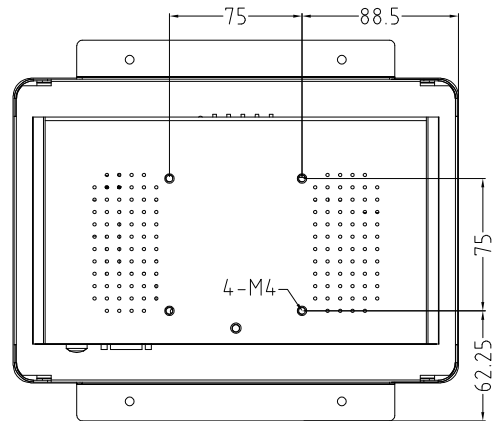
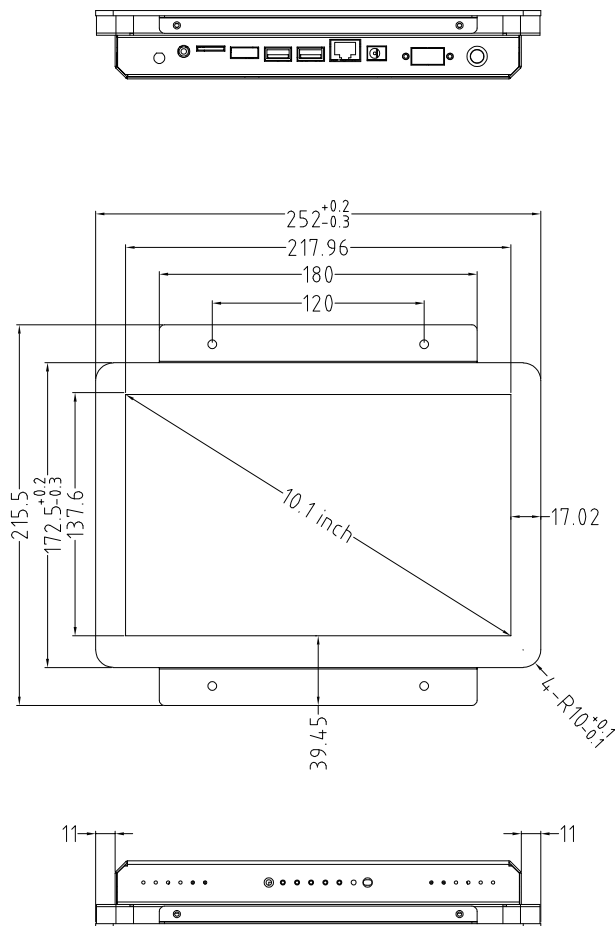


Versatile Mounting options

Wall mount / Embedded / Open Frame

Robust Built

3mm Tempered Glass + Full metal Chassis



PC System

CPU	Rockchip RK3568	Rockchip RK3288	Rockchip RK3399
Graphic GPU	ARM G52 2EE	Mali-T764	PowerVR G6110
Audio	-	-	-
Memory	2G (4G optional)	2G (4G optional)	2G (4G optional)
Storage	16G/32G eMMC	16G/32G eMMC	16G/32G eMMC
Network	10/100M RJ45, 802.11a/b/g/n Wifi	10/100M RJ45, 802.11a/b/g/n Wifi	10/100M RJ45, 802.11a/b/g/n Wifi
Pre-installed OS	Android 11	Android 9	Android 9

LCD Panel

IP Rating	IP65 Front
Screen diagonal	10.1inch
Display active screen size (mm)	218(W)*136.5(H)m
Aspect ratio	16:10
Physical resolution	1920*1200
Colours displayed	16.7M
Brightness (cd/m2)	250
Contrast	1000:1
Visual Angle H/V (°)	175/175
Backlight Lifetime (hours)	LED 30,000

Power

Power Supply	100-240V AC;
Working Power (V)	12
Power Consumption (W)	<36
Stand-By Consumption (W)	<1

External Connectors

12v DC IN	x1	HDMI	x1
OTG USB	x1	USB	X1
RJ45 Ports	x1	Tf card	x1
Headphone	x1	DB9	optional

Included in the Delivery

Manual	x1	Power Supply	x1
Wall mount bracket	x1	WIFI antenna	X1

Operation

Operating Temperature (°C)	0°C-50°C
Humidity Range (RH)	0% - 90%
Net weight (kg)	1.77kg
Gross weight (kg)	2.88kg
Housing material	Sheet Metal
Housing (mm) L × W × H	252*172.5*40
Mounting	75*75/100*100

Touch Panel

Touch Technology	Projected Capacitive
Touch Connector	USB
Surface Hardness	7

Installation



10.4" Touchscreen for Android |

DM104N

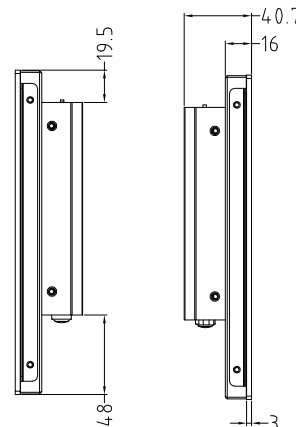
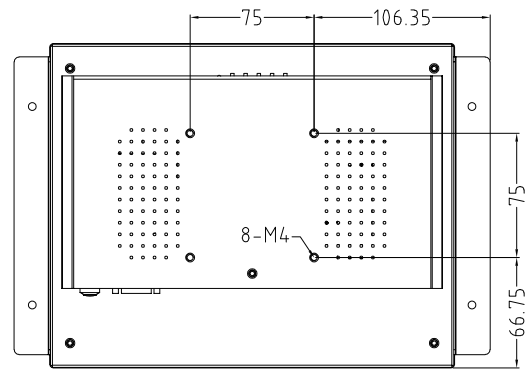
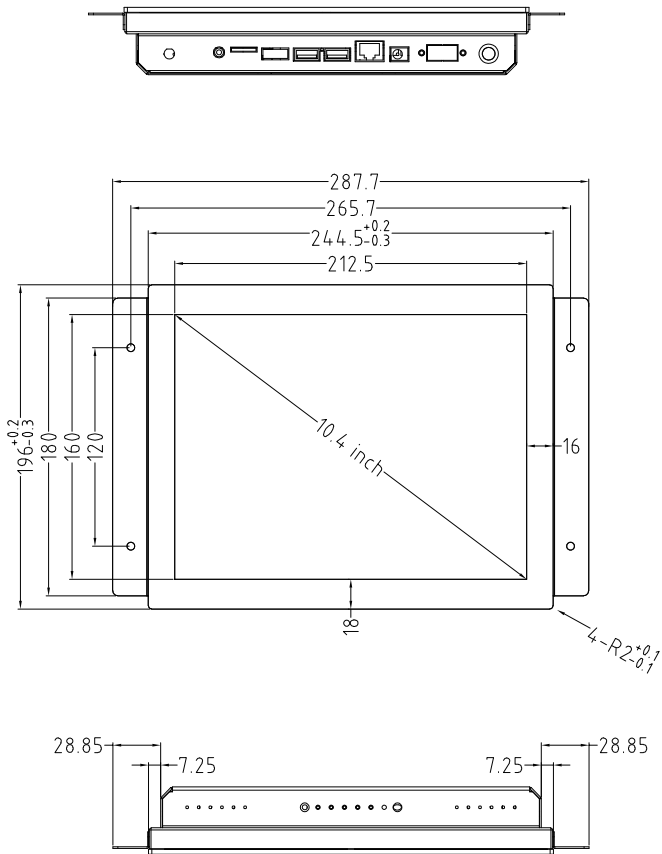


Versatile Mounting options

Wall mount / Embedded / Open Frame

Robust Built

3mm Tempered Glass + Full metal Chassis



PC System

CPU	Rockchip RK3568	Rockchip RK3288	Rockchip RK3399
Graphic GPU	ARM G52 2EE	Mali-T764	PowerVR G6110
Audio	-	-	-
Memory	2G (4G optional)	2G (4G optional)	2G (4G optional)
Storage	16G/32G eMMC	16G/32G eMMC	16G/32G eMMC
Network	10/100M RJ45, 802.11a/b/g/n Wifi	10/100M RJ45, 802.11a/b/g/n Wifi	10/100M RJ45, 802.11a/b/g/n Wifi
Pre-installed OS	Android 11	Android 9	Android 9

LCD Panel

IP Rating	IP65 Front
Screen diagonal	10.4inch
Display active screen size (mm)	212.5(W)*160(H)m
Aspect ratio	4:3
Physical resolution	1024*768
Colours displayed	16.7M
Brightness (cd/m2)	250
Contrast	1000:1
Visual Angle H/V (°)	175/175
Backlight Lifetime (hours)	LED 30,000

Power

Power Supply	100-240V AC;
Working Power (V)	12
Power Consumption (W)	<36
Stand-By Consumption (W)	<1

External Connectors

12v DC IN	x1	HDMI	x1
OTG USB	x1	USB	X1
RJ45 Ports	x1	Tf card	x1
Headphone	x1	DB9	optional

Included in the Delivery

Manual	x1	Power Supply	x1
Wall mount bracket	x1	WIFI antenna	X1

Operation

Operating Temperature (°C)	0°C-50°C
Humidity Range (RH)	0% - 90%
Net weight (kg)	1.6kg
Gross weight (kg)	2.8kg
Housing material	Sheet Metal
Housing (mm) L × W × H	244.5*196*40.7
Mounting	75*75/100*100

Touch Panel

Touch Technology	Projected Capacitive
Touch Connector	USB
Surface Hardness	7

Installation



12.1" Touchscreen for Android |

DM121N

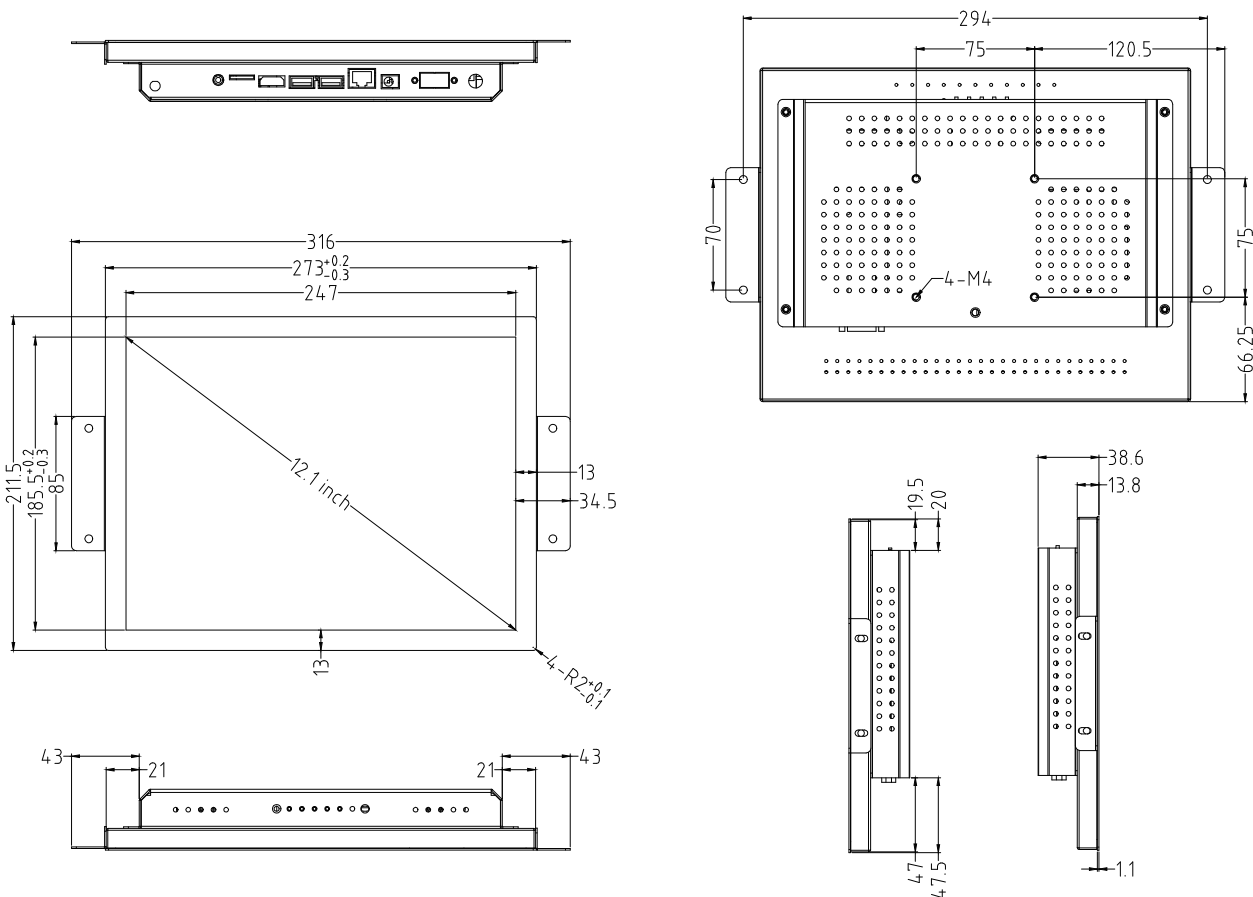


Versatile Mounting options

Wall mount / Embedded / Open Frame

Robust Built

3mm Tempered Glass + Full metal Chassis



PC System

CPU	Rockchip RK3568	Rockchip RK3288	Rockchip RK3399
Graphic GPU	ARM G52 2EE	Mali-T764	PowerVR G6110
Audio	-	-	-
Memory	2G (4G optional)	2G (4G optional)	2G (4G optional)
Storage	16G/32G eMMC	16G/32G eMMC	16G/32G eMMC
Network	10/100M RJ45, 802.11a/b/g/n Wifi	10/100M RJ45, 802.11a/b/g/n Wifi	10/100M RJ45, 802.11a/b/g/n Wifi
Pre-installed OS	Android 11	Android 9	Android 9

LCD Panel

IP Rating	IP65 Front
Screen diagonal	12.1inch
Display active screen size (mm)	247(W)*185.5(H)
Aspect ratio	4:3
Physical resolution	1024*768
Colours displayed	16.7M
Brightness (cd/m2)	400
Contrast	1000:1
Visual Angle H/V (°)	80/80/70/70 (Typ.)
Backlight Lifetime (hours)	LED 30,000

Power

Power Supply	100-240V AC;
Working Power (V)	12
Power Consumption (W)	<30
Stand-By Consumption (W)	<1

External Connectors

12v DC IN	x1	HDMI	x1
OTG USB	x1	USB	X1
RJ45 Ports	x1	Tf card	x1
Headphone	x1	DB9	optional

Included in the Delivery

Manual	x1	Power Supply	x1
Wall mount bracket	x1	WIFI antenna	X1

Operation

Operating Temperature (°C)	0°C-50°C
Humidity Range (RH)	10% - 80%
Net weight (kg)	1.98kg
Gross weight (kg)	3.12kg
Housing material	Sheet Metal
Housing (mm) L × W × H	273*211.5*39.5
Mounting	75*75

Touch Panel

Touch Technology	Projected Capacitive
Touch Connector	USB
Surface Hardness	7

Installation



15" Touchscreen for Android |

DM15N

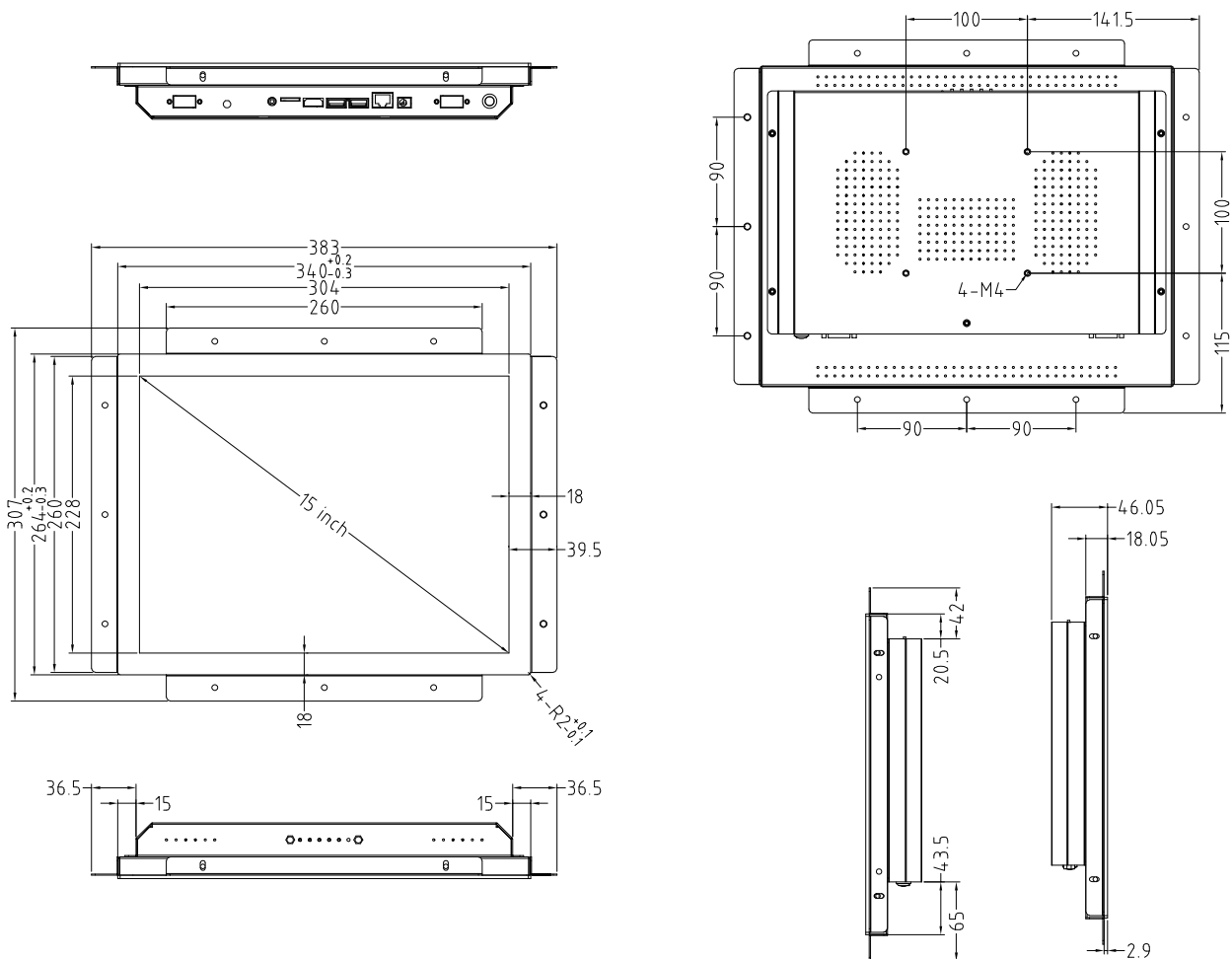


Versatile Mounting options

Wall mount / Embedded / Open Frame

Robust Built

3mm Tempered Glass + Full metal Chassis



PC System

CPU	Rockchip RK3568	Rockchip RK3288	Rockchip RK3399
Graphic GPU	ARM G52 2EE	Mali-T764	PowerVR G6110
Audio	-	-	-
Memory	2G (4G optional)	2G (4G optional)	2G (4G optional)
Storage	16G/32G eMMC	16G/32G eMMC	16G/32G eMMC
Network	10/100M RJ45, 802.11a/b/g/n Wifi	10/100M RJ45, 802.11a/b/g/n Wifi	10/100M RJ45, 802.11a/b/g/n Wifi
Pre-installed OS	Android 11	Android 9	Android 9

LCD Panel

IP Rating	IP65 Front
Screen diagonal	21.5inch
Display active screen size (mm)	269.1(W)*477.6(H)
Aspect ratio	16:9
Physical resolution	1920*1080
Colours displayed	16.7M
Brightness (cd/m2)	250
Contrast	1000:1
Visual Angle H/V (°)	175/175
Backlight Lifetime (hours)	LED 30,000

Power

Power Supply	100-240V AC;
Working Power (V)	12
Power Consumption (W)	<36
Stand-By Consumption (W)	<1

External Connectors

12v DC IN	x1	HDMI	x1
OTG USB	x1	USB	X1
RJ45 Ports	x1	Tf card	x1
Headphone	x1	DB9	optional

Included in the Delivery

Manual	x1	Power Supply	x1
Wall mount bracket	x1	WIFI antenna	X1

Operation

Operating Temperature (°C)	0°C-50°C
Humidity Range (RH)	0% - 90%
Net weight (kg)	5.4kg
Gross weight (kg)	7.6kg
Housing material	Sheet Metal
Housing (mm) L × W × H	540*340*51.5
Mounting	100*100

Touch Panel

Touch Technology	Projected Capacitive
Touch Connector	USB
Surface Hardness	7

Installation



15.6" Touchscreen for Android |

DM156

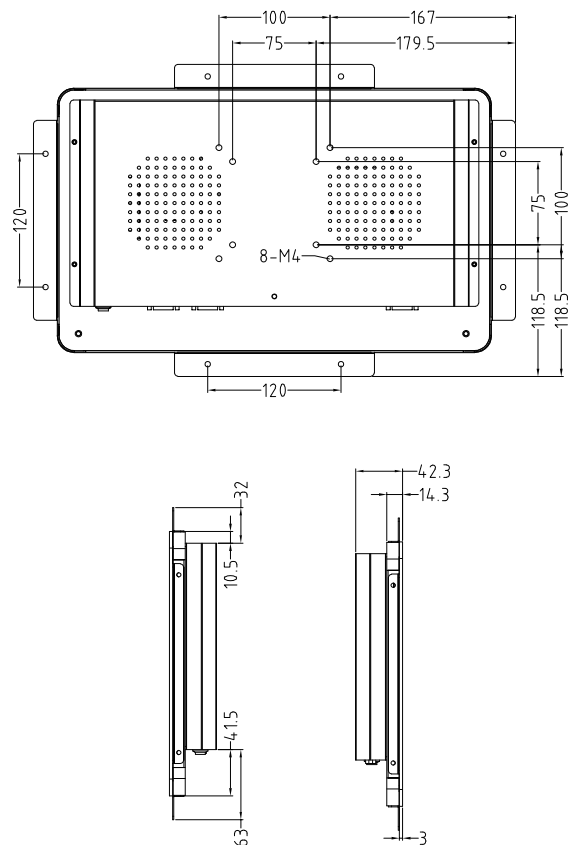
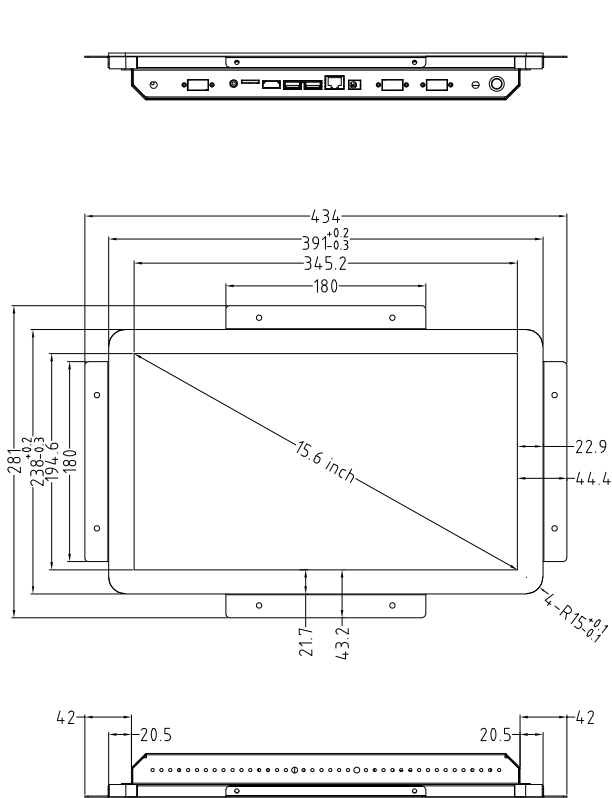


Versatile Mounting options

Wall mount / Embedded / Open Frame

Robust Built

3mm Tempered Glass + Full metal Chassis



PC System

CPU	Rockchip RK3568	Rockchip RK3288	Rockchip RK3399
Graphic GPU	ARM G52 2EE	Mali-T764	PowerVR G6110
Audio	-	-	-
Memory	2G (4G optional)	2G (4G optional)	2G (4G optional)
Storage	16G/32G eMMC	16G/32G eMMC	16G/32G eMMC
Network	10/100M RJ45, 802.11a/b/g/n Wifi	10/100M RJ45, 802.11a/b/g/n Wifi	10/100M RJ45, 802.11a/b/g/n Wifi
Pre-installed OS	Android 11	Android 9	Android 9

LCD Panel

IP Rating	IP65 Front
Screen diagonal	15.6inch
Display active screen size (mm)	345.2(W)*194.6(H)
Aspect ratio	16:9
Physical resolution	1920*1080
Colours displayed	16.7M
Brightness (cd/m2)	≤250
Contrast	1000:1
Visual Angle H/V (°)	175/175
Backlight Lifetime (hours)	LED 30,000

Power

Power Supply	100-240V AC;
Working Power (V)	12
Power Consumption (W)	<30
Stand-By Consumption (W)	<1

External Connectors

12v DC IN	x1	HDMI	x1
OTG USB	x1	USB	X1
RJ45 Ports	x1	Tf card	x1
Headphone	x1	DB9	optional

Included in the Delivery

Manual	x1	Power Supply	x1
Wall mount bracket	x1	WIFI antenna	X1

Operation

Operating Temperature (°C)	0°C-50°C
Humidity Range (RH)	0% - 90%
Net weight (kg)	3.3kg
Gross weight (kg)	4.7kg
Housing material	Sheet Metal
Housing (mm) L × W × H	391*238*41.9
Mounting	100*100/75*75

Touch Panel

Touch Technology	Projected Capacitive
Touch Connector	USB
Surface Hardness	7

Installation



15.6" Touchscreen for Android |

DM156C

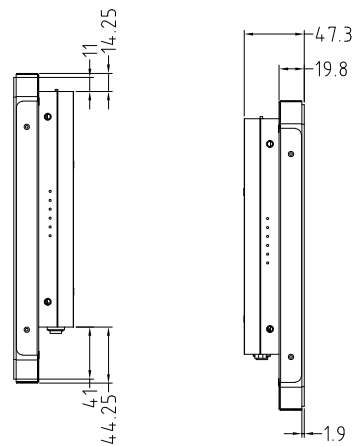
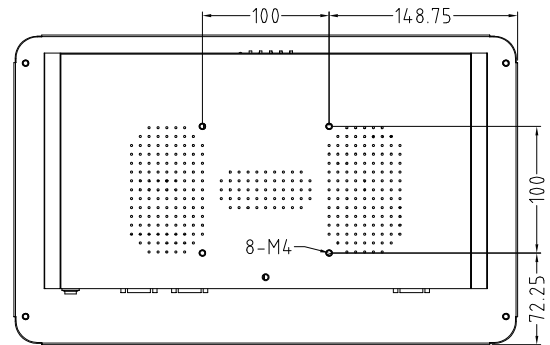
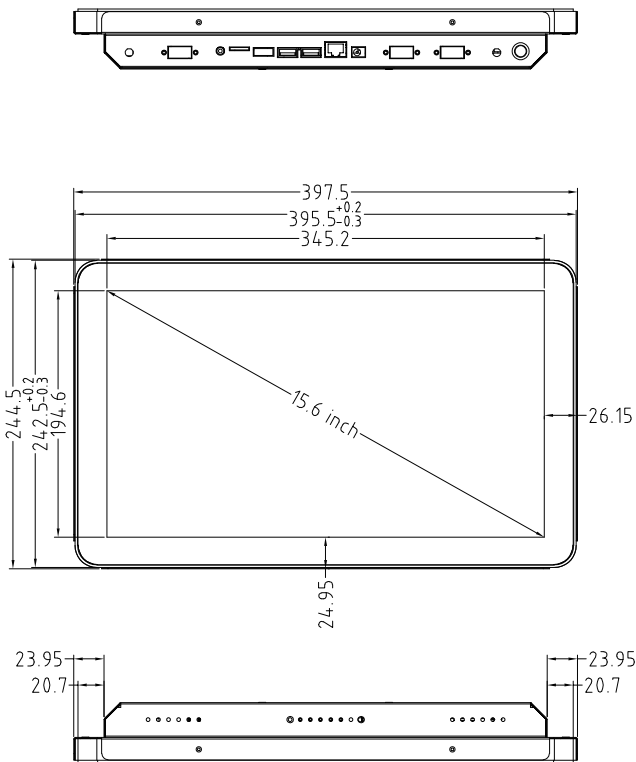


Versatile Mounting options

Wall mount / Embedded / Open Frame

Robust Built

3mm Tempered Glass + Full metal Chassis



PC System

CPU	Rockchip RK3568	Rockchip RK3288	Rockchip RK3399
Graphic GPU	ARM G52 2EE	Mali-T764	PowerVR G6110
Audio	-	-	-
Memory	2G (4G optional)	2G (4G optional)	2G (4G optional)
Storage	16G/32G eMMC	16G/32G eMMC	16G/32G eMMC
Network	10/100M RJ45, 802.11a/b/g/n Wifi	10/100M RJ45, 802.11a/b/g/n Wifi	10/100M RJ45, 802.11a/b/g/n Wifi
Pre-installed OS	Android 11	Android 9	Android 9

LCD Panel

IP Rating	IP65 Front
Screen diagonal	15.6inch
Display active screen size (mm)	345.2(W)*194.6(H)
Aspect ratio	16:9
Physical resolution	1920*1080
Colours displayed	16.7M
Brightness (cd/m2)	≤250
Contrast	1000:1
Visual Angle H/V (°)	175/175
Backlight Lifetime (hours)	LED 30,000

Operation

Operating Temperature (°C)	0°C-50°C
Humidity Range (RH)	0% - 90%
Net weight (kg)	2.75kg
Gross weight (kg)	4.15kg
Housing material	Sheet Metal
Housing (mm) L × W × H	397.5*244.5*47.3
Mounting	100*100

Power

Power Supply	100-240V AC;
Working Power (V)	12
Power Consumption (W)	<36
Stand-By Consumption (W)	<1

Touch Panel

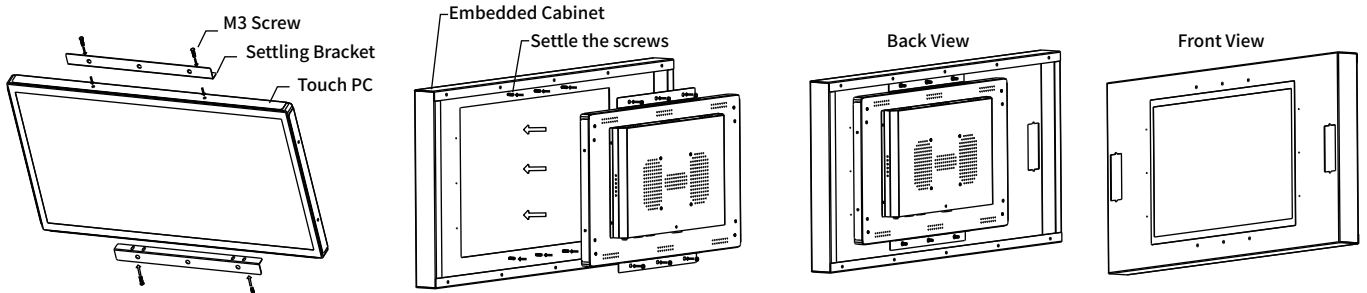
Touch Technology	Projected Capacitive
Touch Connector	USB
Surface Hardness	7

External Connectors

12v DC IN	x1	HDMI	x1
OTG USB	x1	USB	X1
RJ45 Ports	x1	Tf card	x1
Headphone	x1	DB9	optional

Included in the Delivery

Manual	x1	Power Supply	x1
Wall mount bracket	x1	WIFI antenna	X1



Step 1:
According to the positioning screw holes, install the Settling plate of the all-in-one with screws, install on both sides of the all-in-one (up down or left right).

Step 2:
Align the positioning studs and push the all-in-one from inside to outside, insert and fix with nuts.

17" Touchscreen for Android |

DM17N

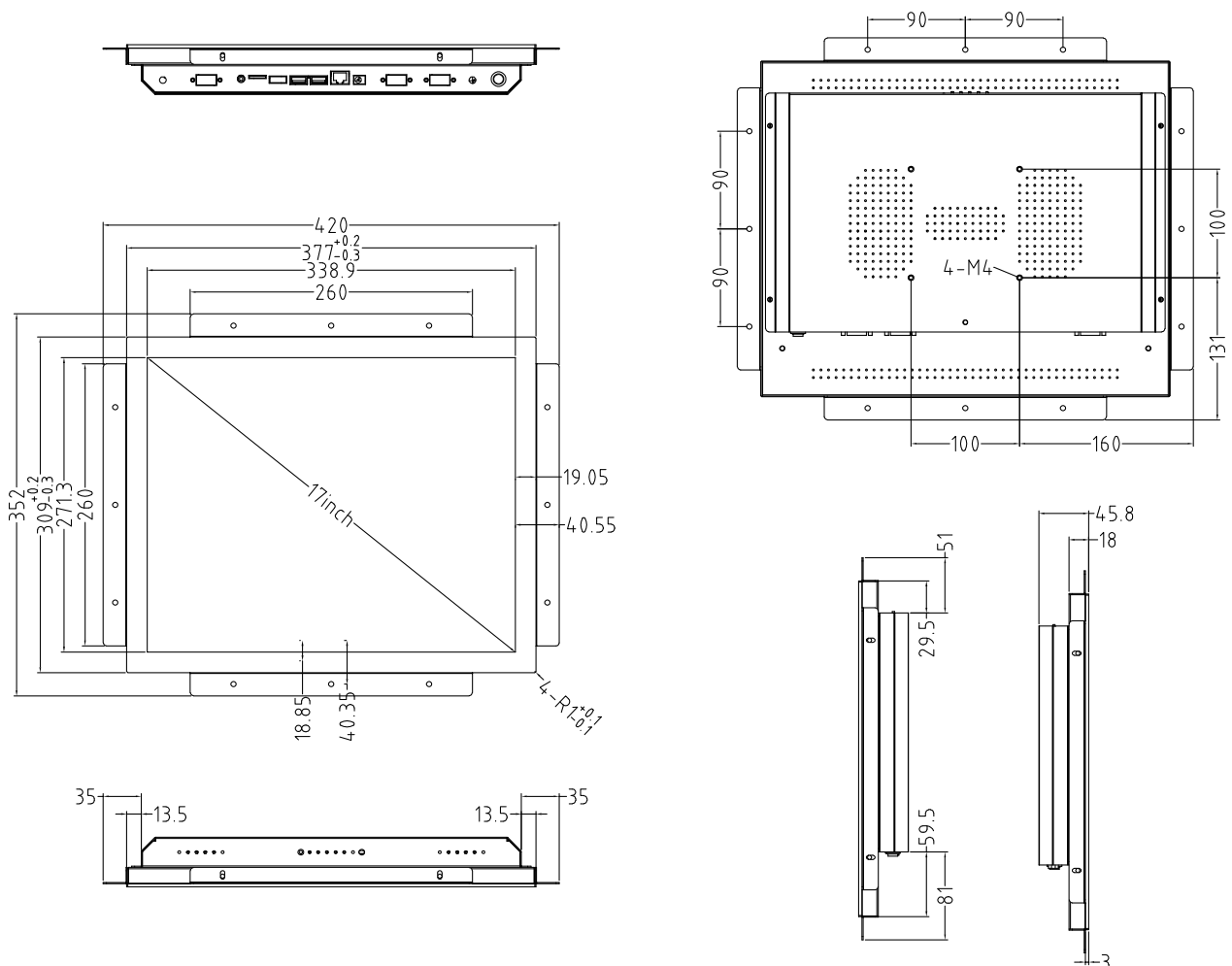


Versatile Mounting options

Wall mount / Embedded / Open Frame

Robust Built

3mm Tempered Glass + Full metal Chassis



PC System

CPU	Rockchip RK3568	Rockchip RK3288	Rockchip RK3399
Graphic GPU	ARM G52 2EE	Mali-T764	PowerVR G6110
Audio	-	-	-
Memory	2G (4G optional)	2G (4G optional)	2G (4G optional)
Storage	16G/32G eMMC	16G/32G eMMC	16G/32G eMMC
Network	10/100M RJ45, 802.11a/b/g/n Wifi	10/100M RJ45, 802.11a/b/g/n Wifi	10/100M RJ45, 802.11a/b/g/n Wifi
Pre-installed OS	Android 11	Android 9	Android 9

LCD Panel

IP Rating	IP65 Front
Screen diagonal	17inch
Display active screen size (mm)	339(W)*271(H)mm
Aspect ratio	4:3
Physical resolution	1280*1024
Colours displayed	16.7M
Brightness (cd/m2)	250
Contrast	1000:1
Visual Angle H/V (°)	175/175
Backlight Lifetime (hours)	LED 30,000

Power

Power Supply	100-240V AC;
Working Power (V)	12
Power Consumption (W)	<36
Stand-By Consumption (W)	<1

External Connectors

12v DC IN	x1	HDMI	x1
OTG USB	x1	USB	X1
RJ45 Ports	x1	Tf card	x1
Headphone	x1	DB9	optional

Included in the Delivery

Manual	x1	Power Supply	x1
Wall mount bracket	x1	WIFI antenna	X1

Operation

Operating Temperature (°C)	0°C-50°C
Humidity Range (RH)	0% - 90%
Net weight (kg)	4.87kg
Gross weight (kg)	6.5kg
Housing material	Sheet Metal
Housing (mm) L × W × H	377*309*46
Mounting	100*100/75*75

Touch Panel

Touch Technology	Projected Capacitive
Touch Connector	USB
Surface Hardness	7

Installation



19" Touchscreen for Android |

DM19N

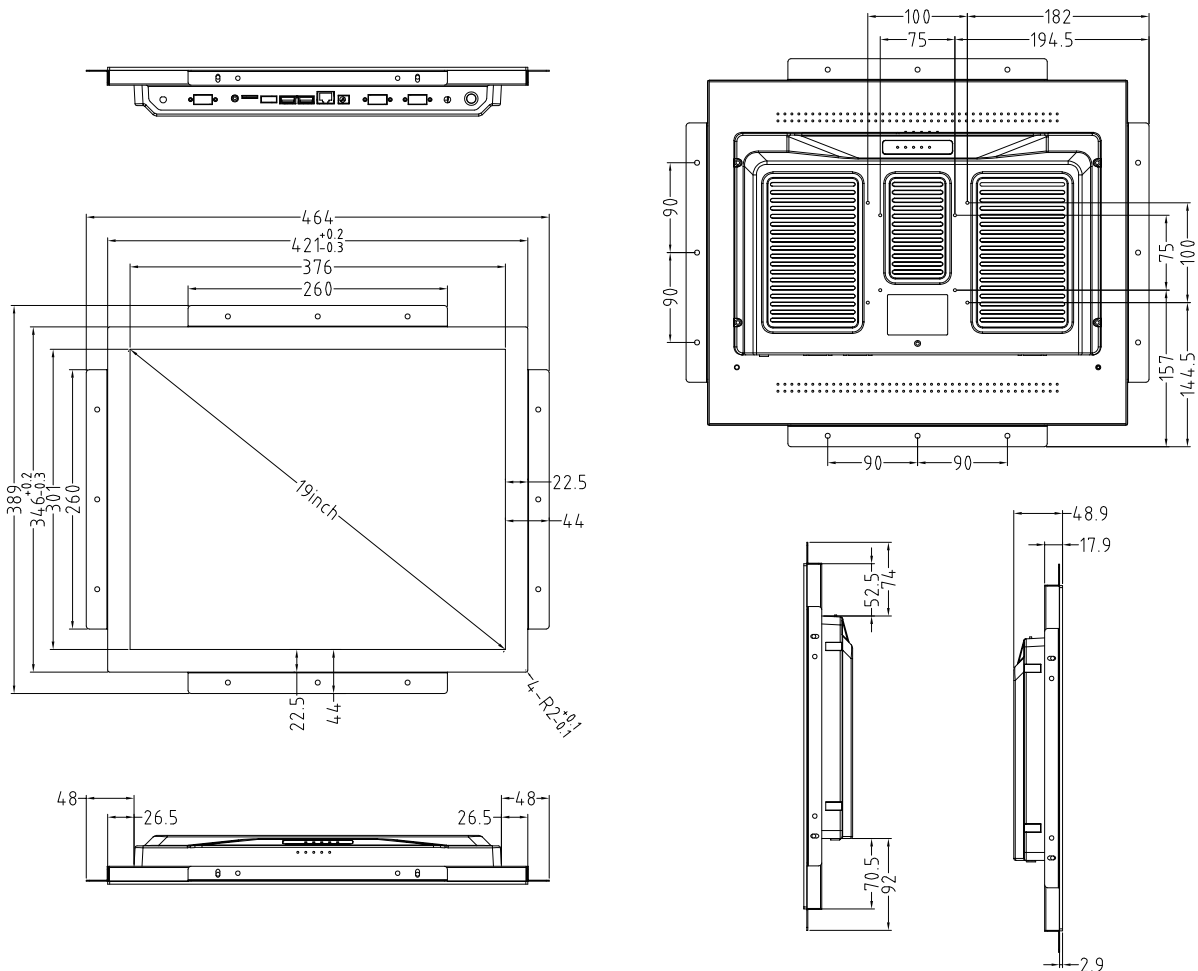


Versatile Mounting options

Wall mount / Embedded / Open Frame

Robust Built

3mm Tempered Glass + Full metal Chassis



PC System

CPU	Rockchip RK3568	Rockchip RK3288	Rockchip RK3399
Graphic GPU	ARM G52 2EE	Mali-T764	PowerVR G6110
Audio	-	-	-
Memory	2G (4G optional)	2G (4G optional)	2G (4G optional)
Storage	16G/32G eMMC	16G/32G eMMC	16G/32G eMMC
Network	10/100M RJ45, 802.11a/b/g/n Wifi	10/100M RJ45, 802.11a/b/g/n Wifi	10/100M RJ45, 802.11a/b/g/n Wifi
Pre-installed OS	Android 11	Android 9	Android 9

LCD Panel

IP Rating	IP65 Front
Screen diagonal	19inch
Display active screen size (mm)	375(W)*300(H)
Aspect ratio	5:4
Physical resolution	1280*1024
Colours displayed	16.7M , 72% NTSC
Brightness (cd/m2)	≥250cd
Contrast	1000:1
Visual Angle H/V (°)	89/89/89/89
Backlight Lifetime (hours)	LED 30,000

Power

Power Supply	100-240V AC;
Working Power (V)	12
Power Consumption (W)	<36
Stand-By Consumption (W)	<1

External Connectors

12v DC IN	x1	HDMI	x1
OTG USB	x1	USB	X1
RJ45 Ports	x1	Tf card	x1
Headphone	x1	DB9	optional

Included in the Delivery

Manual	x1	Power Supply	x1
Wall mount bracket	x1	WIFI antenna	X1

Operation

Operating Temperature (°C)	0°C-50°C
Humidity Range (RH)	10% - 80%
Net weight (kg)	5.9kg
Gross weight (kg)	7.7kg
Housing material	Sheet Metal
Housing (mm) L × W × H	421*346*45.9
Mounting	100*100

Touch Panel

Touch Technology	Projected Capacitive
Touch Connector	USB
Surface Hardness	7

Installation



19" Touchscreen for Android |

DM19NC

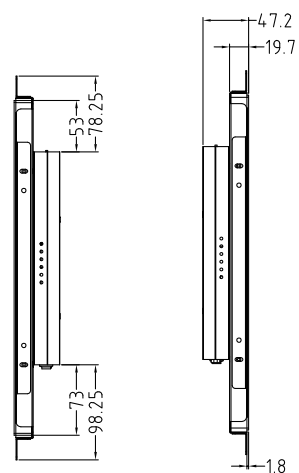
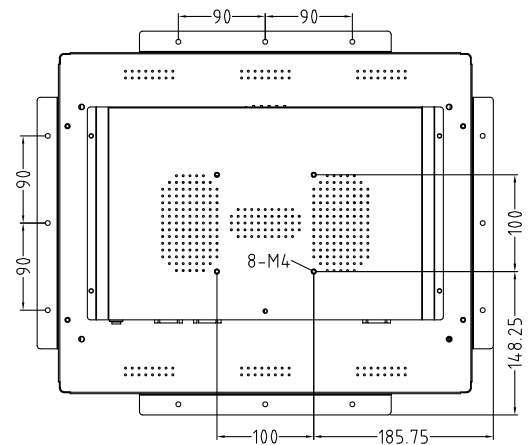
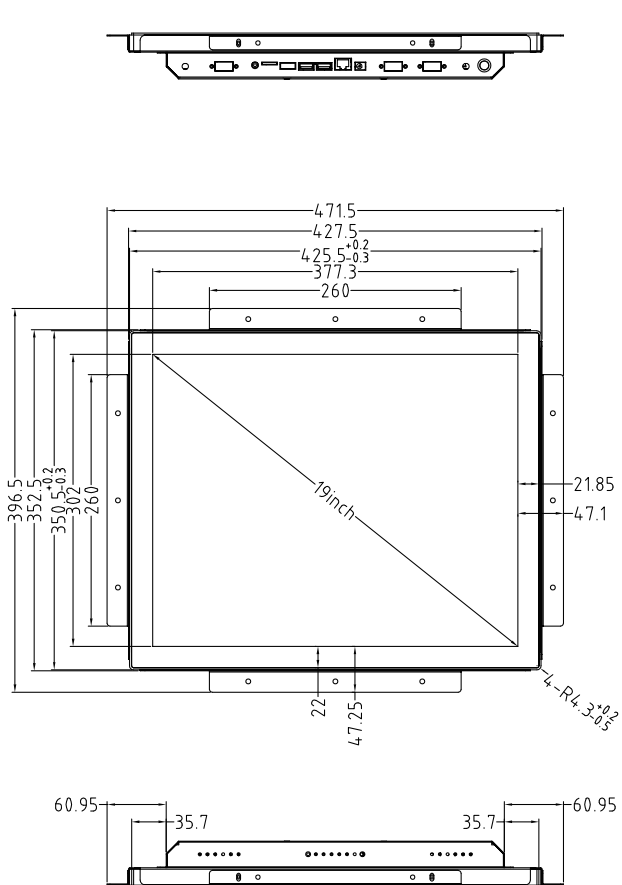


Versatile Mounting options

Wall mount / Embedded / Open Frame

Robust Built

3mm Tempered Glass + Full metal Chassis



PC System

CPU	Rockchip RK3568	Rockchip RK3288	Rockchip RK3399
Graphic GPU	ARM G52 2EE	Mali-T764	PowerVR G6110
Audio	-	-	-
Memory	2G (4G optional)	2G (4G optional)	2G (4G optional)
Storage	16G/32G eMMC	16G/32G eMMC	16G/32G eMMC
Network	10/100M RJ45, 802.11a/b/g/n Wifi	10/100M RJ45, 802.11a/b/g/n Wifi	10/100M RJ45, 802.11a/b/g/n Wifi
Pre-installed OS	Android 11	Android 9	Android 9

LCD Panel

IP Rating	IP65 Front
Screen diagonal	19inch
Display active screen size (mm)	376(W)*301(H)mm
Aspect ratio	5:4
Physical resolution	1280*1024
Colours displayed	16.7M
Brightness (cd/m2)	300
Contrast	1000:1
Visual Angle H/V (°)	175/175
Backlight Lifetime (hours)	LED 30,000

Operation

Operating Temperature (°C)	0°C-50°C
Humidity Range (RH)	0% - 90%
Net weight (kg)	5.5kg
Gross weight (kg)	7.3kg
Housing material	Sheet Metal
Housing (mm) L × W × H	427.5*352.5*47.2
Mounting	100*100

Power

Power Supply	100-240V AC;
Working Power (V)	12
Power Consumption (W)	<36
Stand-By Consumption (W)	<1

Touch Panel

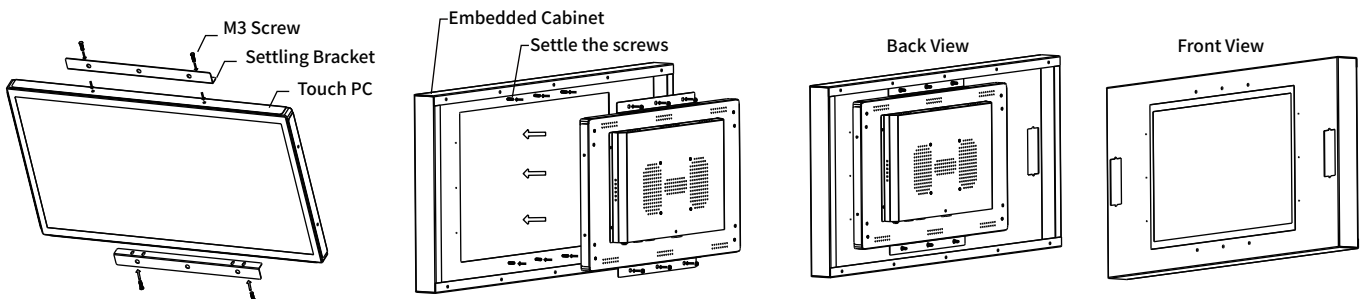
Touch Technology	Projected Capacitive
Touch Connector	USB
Surface Hardness	7

External Connectors

12v DC IN	x1	HDMI	x1
OTG USB	x1	USB	X1
RJ45 Ports	x1	Tf card	x1
Headphone	x1	DB9	optional

Included in the Delivery

Manual	x1	Power Supply	x1
Wall mount bracket	x1	WIFI antenna	X1



Step 1:
According to the positioning screw holes, install the Settling plate of the all-in-one with screws. Install on both sides of the all-in-one (up down or left right).

Step 2:
Align the positioning studs and push the all-in-one from inside to outside, insert and fix with nuts.

21.5" Touchscreen for Android |

DM215C

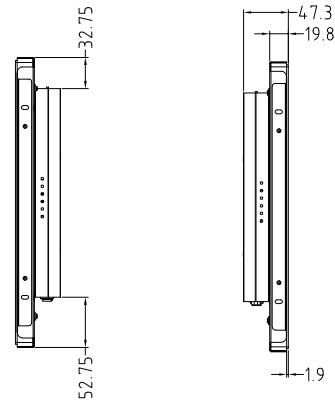
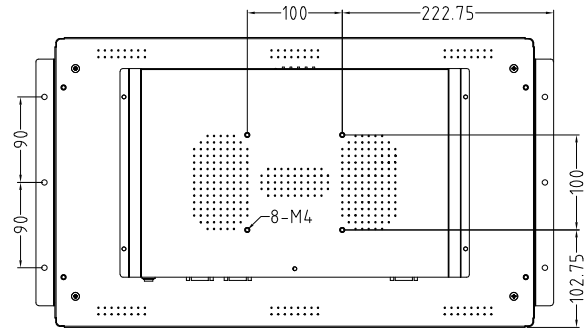
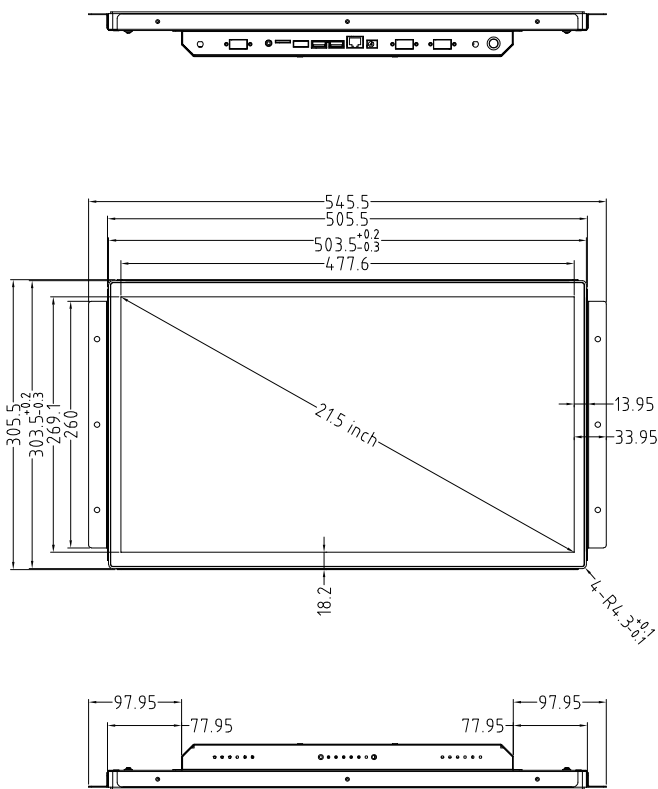


Versatile Mounting options

Wall mount / Embedded / Open Frame

Robust Built

3mm Tempered Glass + Full metal Chassis



PC System

CPU	Rockchip RK3568	Rockchip RK3288	Rockchip RK3399
Graphic GPU	ARM G52 2EE	Mali-T764	PowerVR G6110
Audio	-	-	-
Memory	2G (4G optional)	2G (4G optional)	2G (4G optional)
Storage	16G/32G eMMC	16G/32G eMMC	16G/32G eMMC
Network	10/100M RJ45, 802.11a/b/g/n Wifi	10/100M RJ45, 802.11a/b/g/n Wifi	10/100M RJ45, 802.11a/b/g/n Wifi
Pre-installed OS	Android 11	Android 9	Android 9

LCD Panel

IP Rating	IP65 Front
Screen diagonal	21.5inch
Display active screen size (mm)	477.6(W)*269.1(H)
Aspect ratio	16:9
Physical resolution	1920*1080
Colours displayed	16.7M
Brightness (cd/m2)	300
Contrast	1000:1
Visual Angle H/V (°)	175/175
Backlight Lifetime (hours)	LED 30,000

Operation

Operating Temperature (°C)	0°C-50°C
Humidity Range (RH)	0% - 90%
Net weight (kg)	5.35kg
Gross weight (kg)	7.45kg
Housing material	Sheet Metal
Housing (mm) L × W × H	505.5*305.5*47.3
Mounting	100*100

Power

Power Supply	100-240V AC;
Working Power (V)	12
Power Consumption (W)	<36
Stand-By Consumption (W)	<1

Touch Panel

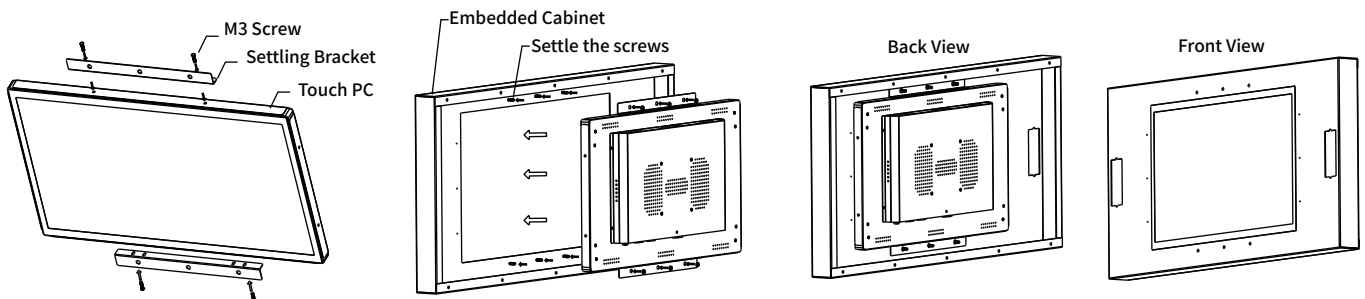
Touch Technology	Projected Capacitive
Touch Connector	USB
Surface Hardness	7

External Connectors

12v DC IN	x1	HDMI	x1
OTG USB	x1	USB	X1
RJ45 Ports	x1	Tf card	x1
Headphone	x1	DB9	optional

Included in the Delivery

Manual	x1	Power Supply	x1
Wall mount bracket	x1	WIFI antenna	X1



Step 1:
According to the positioning screw holes, install the Settling plate of the all-in-one with screws. Install on both sides of the all-in-one (up down or left right).

Step 2:
Align the positioning studs and push the all-in-one from inside to outside, Insert and fix with nuts.



Touch Screen Kiosk

GD series is designed as an all in one self-service kiosk. It combines a commercial grade reliability with powerful processor and industrial power supply.

Optional peripherals

The kiosk provide wide assortments of optional peripherals such as thermal printer, barcode scanner, NFC reader, fingerprint sensor, 4G LTE and etc. To enable the flexibility for multiple public application: corporate check in, restaurant self ordering, hotel check in, etc.

Having fully support for your development, SDK and API documents of the system are all available.

GD

10.1" Touch Screen Kiosk

GD101E



Barcode Reader



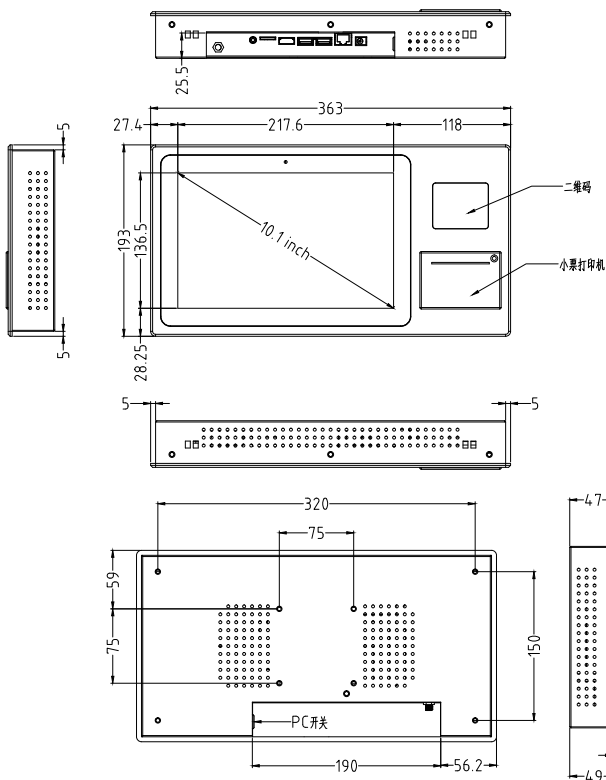
NFC RFID



Thermal Printer



4G LTE



Finger Print Sensor



Camera

Multiple Peripherals
Optional
Free customization

Windows/Linux

CPU	Intel Celeron® N5095
Graphic GPU	Intel® UHD Graphics
Audio	HD Audio: ALC897
Memory	8GB DDR4
Storage	Foresee mSATA-128GB
Network	WIFI-NE238H-2.4G

Pre-installed OS	Windows 10 Enterprise 2019
------------------	----------------------------

External Connectors

12v DC IN	x1	HDMI	x1
COM RS232	x1	USB 3.0	X1
RJ45 Ports	x1	F_Mic	x1
F_OUT	x1	USB 2.0	X3

LCD Panel

IP Rating	IP65 Front
Screen diagonal	10.1inch
Display active screen size (mm)	217.6*136.5
Aspect ratio	16:10
Physical resolution	1280*800
Colours displayed	16.7M
Brightness (cd/m2)	250
Contrast	1000:1
Visual Angle H/V (°)	175/175
Backlight Lifetime (hours)	LED 15,000

Power

Power Supply - Adapter	100-240V
Working Power (V)	12
Power Consumption (W)-PC	<60
Power Consumption (W)-Android	<36
Stand-By Consumption (W)	<1

Android

CPU	Rockchip RK3568
Graphic GPU	ARM G52 2EE
Audio	-
Memory	2G (4G optional)
Storage	16G/32G eMMC
Network	10/100/1000M RJ45, 802.11a/b/g/n Wifi

Pre-installed OS	Android 11
------------------	------------

External Connectors

12v DC IN	x1	HDMI out	x1
TTL	x1	USB 3.0	X1
RJ45 Ports	x1	USB 2.0	X1

Touch Panel

Touch Technology	Projected Capacitive
Touch Connector	USB
Surface Hardness	7h

Operation

Operating Temperature	0°C-50°C
Humidity Range (RH)	10% - 80%
Net weight (kg)	2.1kg
Gross weight (kg)	2.9kg
Housing material	Sheet Metal&Aluminum
Housing (mm) L × W	363*193*47
Mounting	75*75

Included in the Delivery

Manual	x1	Power Supply	x1
Wall mount bracket	x1	WIFI antenna	X1

10.1" Touch Screen Kiosk

GD101E1



Barcode Reader



NFC RFID



Thermal Printer



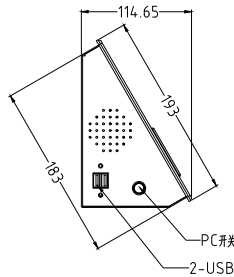
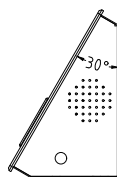
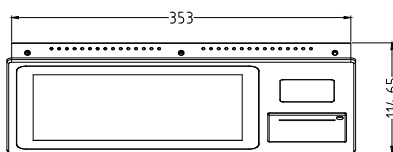
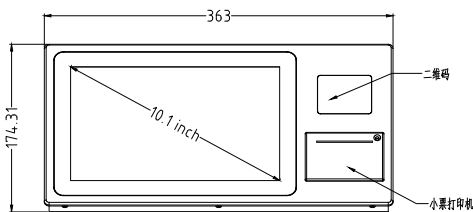
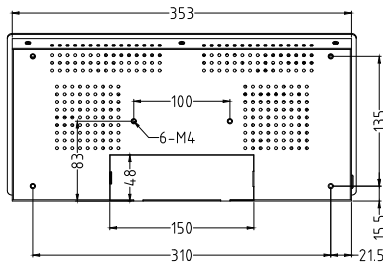
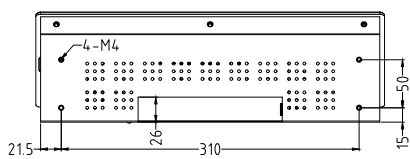
4G LTE



Finger Print Sensor



Camera



**Multiple Peripherals
Optional**

Free customization

Windows/Linux

CPU	Intel Celeron® N5095
Graphic GPU	Intel® UHD Graphics
Audio	HD Audio: ALC897
Memory	8GB DDR4
Storage	Foresee mSATA-128GB
Network	WIFI-NE238H-2.4G
Pre-installed OS	Windows 10 Enterprise 2019

External Connectors

12v DC IN	x1	USB 2.0	x2
RJ45 Ports	x1		

LCD Panel

Screen diagonal	10.1inch
Display active screen size (mm)	217.6*136.5
Aspect ratio	16:10
Physical resolution	1280*800
Colours displayed	16.7M
Brightness (cd/m2)	250
Contrast	1000:1
Visual Angle H/V (°)	175/175
Backlight Lifetime (hours)	LED 15,000

Power

Power Supply - Adapter	100-240V
Working Power (V)	12
Power Consumption (W)-PC	<60
Power Consumption (W)-Android	<36
Stand-By Consumption (W)	<1

Android

CPU	Rockchip RK3568
Graphic GPU	ARM G52 2EE
Audio	-
Memory	2G (4G optional)
Storage	16G/32G eMMC
Network	10/100/1000M RJ45, 802.11a/b/g/n Wifi
Pre-installed OS	Android 11

External Connectors

12v DC IN	x1	USB 2.0	x2
RJ45 Ports	x1		

Touch Panel

Touch Technology	Projected Capacitive
Touch Connector	USB
Surface Hardness	7h

Operation

Operating Temperature	0°C-50°C
Humidity Range (RH)	10% - 80%
Net weight (kg)	2.3kg
Gross weight (kg)	3.2kg
Housing material	Sheet Metal&Aluminum
Housing (mm) L × W	363*174.3*183
Mounting	Desktop

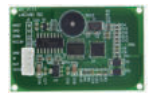
Included in the Delivery

Manual	x1	Power Supply	x1
WIFI antenna	X1		

15.6" Touch Screen Kiosk | GD156E



Barcode Reader



NFC RFID



Thermal Printer



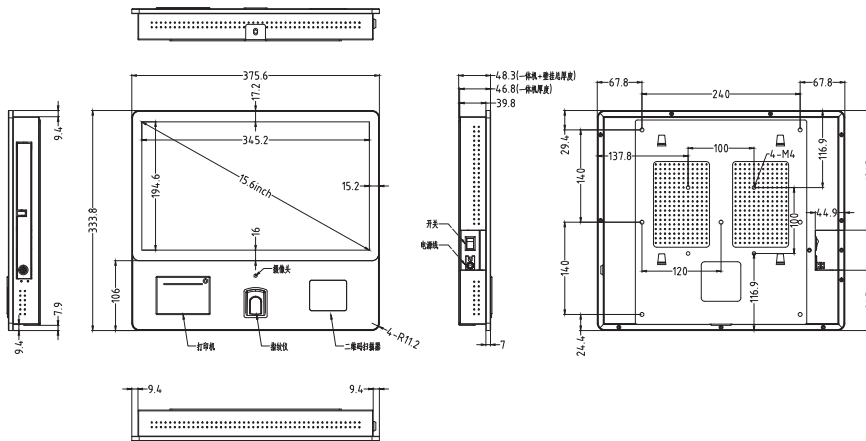
4G LTE



Finger Print Sensor



Camera



**Multiple Peripherals
Optional**
Free customization

Windows/Linux

CPU	Intel Celeron® J4125
Graphic GPU	Intel® UHD Graphics
Audio	Built-in amplifier output 3W@4 ; 1.7W@8 max
Memory	8GB DDR4
Storage	Foresee mSATA-128GB
Network	WIFI-NE238H-2.4G
Pre-installed OS	Windows 10 Enterprise 2019

External Connectors

12v DC IN	x1	HDMI	x1
COM RS232	x1	USB 3.0	X1
RJ45 Ports	x1	F_Mic	x1
F_OUT	x1	USB 2.0	X3

LCD Panel

Screen diagonal	15.6inch
Display active screen size (mm)	345.2*194.6
Aspect ratio	16:9
Physical resolution	1920*1080
Colours displayed	16.7M
Brightness (cd/m2)	250
Contrast	1000:1
Visual Angle H/V (°)	175/175
Backlight Lifetime (hours)	LED 15,000

Power

Power Supply - Adapter	100-240V
Working Power (V)	12
Power Consumption (W)-PC	<36
Power Consumption (W)-Android	<30
Stand-By Consumption (W)	<1

Android

CPU	Rockchip RK3568
Graphic GPU	ARM G52 2EE
Audio	-
Memory	2G (4G optional)
Storage	16G/32G eMMC
Network	10/100/1000M RJ45, 802.11a/b/g/n Wifi
Pre-installed OS	Android 11

External Connectors

12v DC IN	x1	HDMI out	x1
TTL	x1	USB 3.0	X1
RJ45 Ports	x1	USB 2.0	X1
Audio	x1		

Touch Panel

Touch Technology	Projected Capacitive
Touch Connector	USB
Surface Hardness	7h

Operation

Operating Temperature	0°C-50°C
Humidity Range (RH)	10% - 80%
Net weight (kg)	4.1kg
Gross weight (kg)	5.6kg
Housing material	Sheet Metal&Aluminum
Housing (mm) L × W	375.6*333.8*48.3
Mounting-Wall	240*280mm

Included in the Delivery

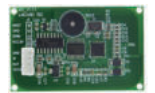
Manual	x1	Power Supply	x1
Wall mount bracket	x1	WIFI antenna	X1

15.6" Touch Screen Kiosk

GD156C



Barcode Reader



NFC RFID



Thermal Printer



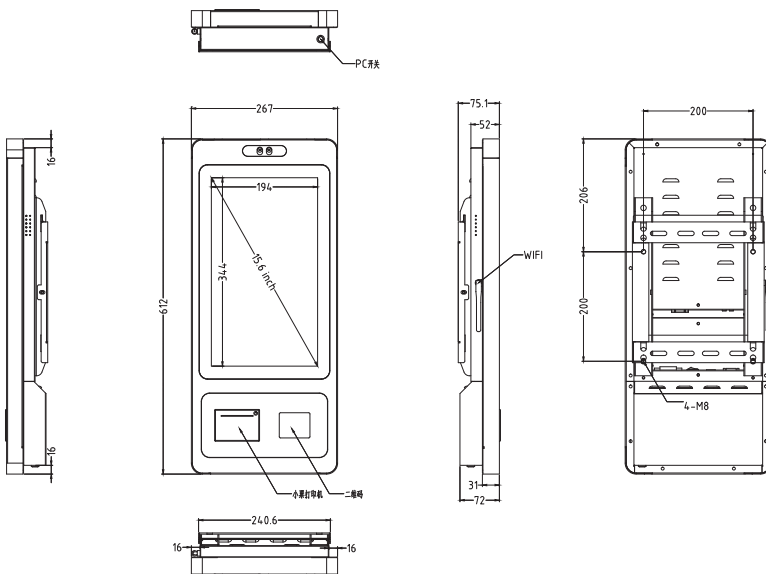
4G LTE



Finger Print Sensor



Camera



Multiple Peripherals
Optional

Free customization

Windows/Linux

CPU	Intel Celeron® J4125
Graphic GPU	Intel® UHD Graphics
Audio	Built-in amplifier output 3W@4 ; 1.7W@8 max
Memory	8GB DDR4
Storage	Foresee mSATA-128GB
Network	WIFI-NE238H-2.4G
Pre-installed OS	Windows 10 Enterprise 2019

12v DC IN	x1	HDMI	x1
VGA	x1	USB 3.0	X1
RJ45 Ports	x1	F_Mic	x1
F_OUT	x1	USB 2.0	X3

LCD Panel

IP Rating	IP65 Front
Screen diagonal	15.6inch
Display active screen size (mm)	344* 194
Aspect ratio	16:9
Physical resolution	1920*1080
Colours displayed	16.7M
Brightness (cd/m2)	250
Contrast	1000:1
Visual Angle H/V (°)	175/175
Backlight Lifetime (hours)	LED 15,000

Power

Power Supply - Adapter	100-240V AC;
Working Power (V)	12
Power Consumption (W)	<48
Stand-By Consumption (W)	<1

Android

CPU	Rockchip RK3568
Graphic GPU	ARM G52 2EE
Audio	-
Memory	2G (4G optional)
Storage	16G/32G eMMC
Network	10/100/1000M RJ45, 802.11a/b/g/n Wifi
Pre-installed OS	Android 11

External Connectors

12v DC IN	x1	HDMI out	x1
TTL	x1	USB 3.0	X1
RJ45 Ports	x1	USB 2.0	X1
Audio	x1		

Touch Panel

Touch Technology	Projected Capacitive
Touch Connector	USB
Surface Hardness	7h

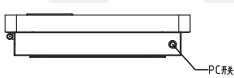
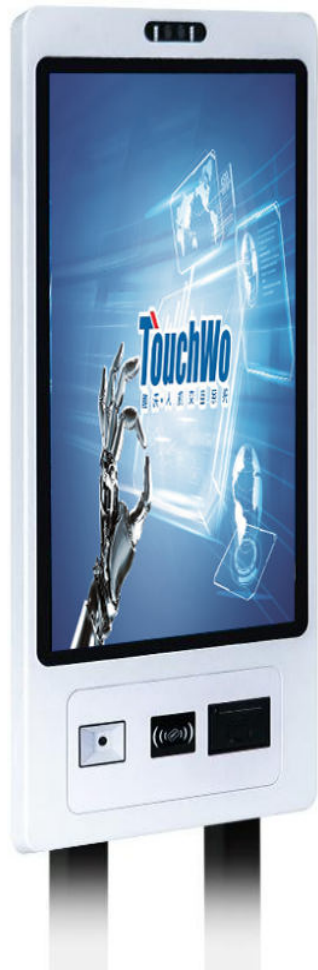
Operation

Operating Temperature	0°C-50°C
Humidity Range (RH)	10% - 80%
Net weight (kg)	8kg
Gross weight (kg)	14kg
Housing material	Sheet Metal
Housing (mm) L * W * H	267*612* 72
Mounting	200*200

Included in the Delivery

Manual	x1	Power Supply	x1
Wall mount bracket	x1	WIFI antenna	X1

21.5" Touch Screen Kiosk | GD215C



Barcode Reader



NFC RFID



Thermal Printer



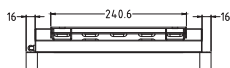
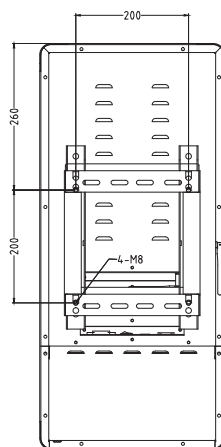
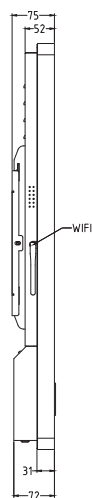
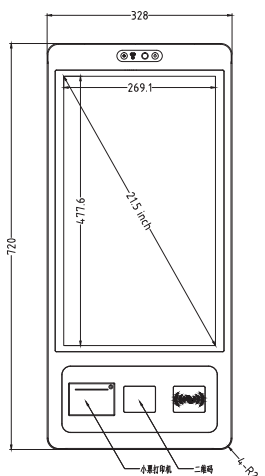
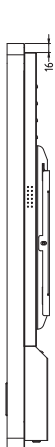
4G LTE



Finger Print Sensor



Camera



**Multiple Peripherals
Optional**

Free customization

Windows/Linux

CPU	Intel Celeron® J4125
Graphic GPU	Intel® UHD Graphics
Audio	Built-in amplifier output 3W@4 ; 1.7W@8 max
Memory	8GB DDR4
Storage	Foresee mSATA-128GB
Network	WIFI-NE238H-2.4G
Pre-installed OS	Windows 10 Enterprise 2019

12v DC IN	x1	HDMI	x1
COM RS232	x1	USB 3.0	X1
RJ45 Ports	x1	F_Mic	x1
F_OUT	x1	USB 2.0	X3

LCD Panel

IP Rating	IP65 Front
Screen diagonal	21.5inch
Display active screen size (mm)	477.6*269.1
Aspect ratio	16:9
Physical resolution	1920*1080
Colours displayed	16.7M
Brightness (cd/m2)	300
Contrast	1000:1
Visual Angle H/V (°)	175/175
Backlight Lifetime (hours)	LED 15,000

Power

Power Supply - Adapter	100-240V AC;
Working Power (V)	12
Power Consumption (W)	<60
Stand-By Consumption (W)	<1

Android

CPU	Rockchip RK3568
Graphic GPU	ARM G52 2EE
Audio	-
Memory	2G (4G optional)
Storage	16G/32G eMMC
Network	10/100/1000M RJ45, 802.11a/b/g/n Wifi
Pre-installed OS	Android 11

External Connectors

12v DC IN	x1	HDMI out	x1
RS232	x1	USB 3.0	X1
RJ45 Ports	x1	USB 2.0	X1
Audio	x1		

Touch Panel

Touch Technology	Projected Capacitive
Touch Connector	USB
Surface Hardness	7h

Operation

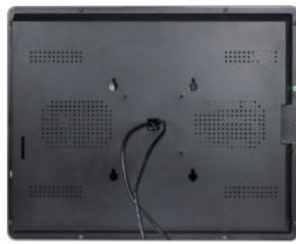
Operating Temperature	0°C-50°C
Humidity Range (RH)	10% - 80%
Net weight (kg)	11.6kg
Gross weight (kg)	16kg
Housing material	Sheet Metal
Housing (mm) L * W * H	328*720* 72
Mounting	200*200

Included in the Delivery

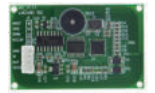
Manual	x1	Power Supply	x1
Wall mount bracket	x1	WIFI antenna	X1

21.5" Touch Screen Kiosk

GD215E



Barcode Reader



NFC RFID



Thermal Printer



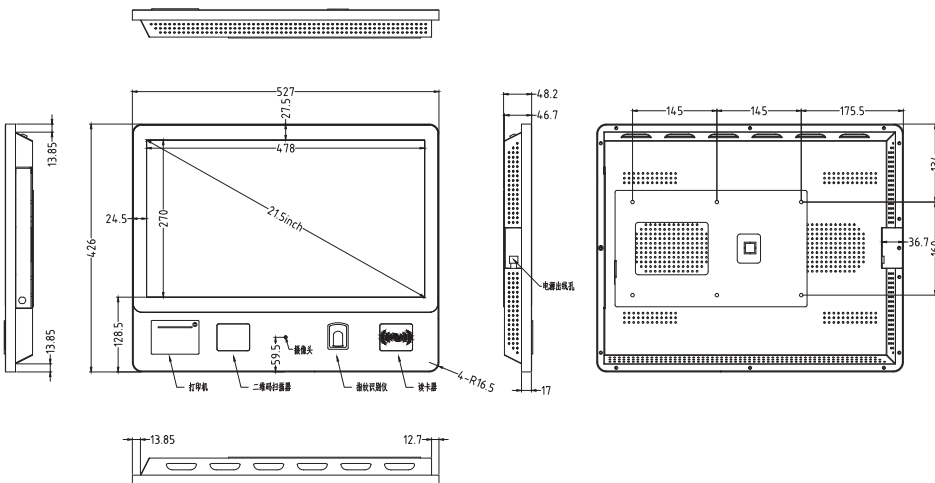
4G LTE



Finger Print Sensor



Camera



**Multiple Peripherals
Optional**
Free customization

Windows/Linux

CPU	Intel Celeron® J4125
Graphic GPU	Intel® UHD Graphics
Audio	Built-in amplifier output 3W@4 ; 1.7W@8 max
Memory	8GB DDR4
Storage	Foresee mSATA-128GB
Network	WIFI-NE238H-2.4G
Pre-installed OS	Windows 10 Enterprise 2019

External Connectors

12v DC IN	x1	HDMI	x1
COM RS232	x1	USB 3.0	X1
RJ45 Ports	x1	F_Mic	x1
F_OUT	x1	USB 2.0	X3

LCD Panel

IP Rating	IP65 Front
Screen diagonal	21.5inch
Display active screen size (mm)	477.6*269.1
Aspect ratio	16:9
Physical resolution	1920*1080
Colours displayed	16.7M
Brightness (cd/m2)	300
Contrast	1000:1
Visual Angle H/V (°)	175/175
Backlight Lifetime (hours)	LED 15,000

Power

Power Supply - Adapter	100-240V
Working Power (V)	12
Power Consumption (W)-PC	<60
Power Consumption (W)-Android	<36
Stand-By Consumption (W)	<1

Android

CPU	Rockchip RK3568
Graphic GPU	ARM G52 2EE
Audio	-
Memory	2G (4G optional)
Storage	16G/32G eMMC
Network	10/100/1000M RJ45, 802.11a/b/g/n Wifi
Pre-installed OS	Android 11

External Connectors

12v DC IN	x1	HDMI out	x1
RS232	x1	USB 3.0	X1
RJ45 Ports	x1	USB 2.0	X1
Audio	x1		

Touch Panel

Touch Technology	Projected Capacitive
Touch Connector	USB
Surface Hardness	7h

Operation

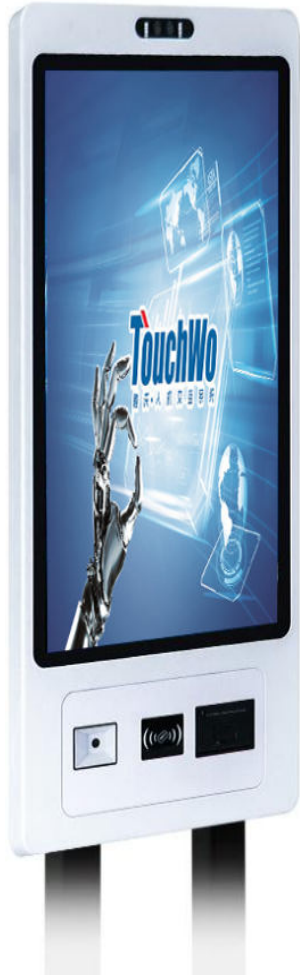
Operating Temperature	0°C-50°C
Humidity Range (RH)	10% - 80%
Net weight (kg)	5.35kg
Gross weight (kg)	7.45kg
Housing material	Sheet Metal
Housing (mm) L * W * H	527*426*46.7
Mounting	290*160

Included in the Delivery

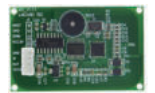
Manual	x1	Power Supply	x1
Wall mount bracket	x1	WIFI antenna	X1

23.8" Touch Screen Kiosk

GD238C



Barcode Reader



NFC
RFID



Thermal Printer



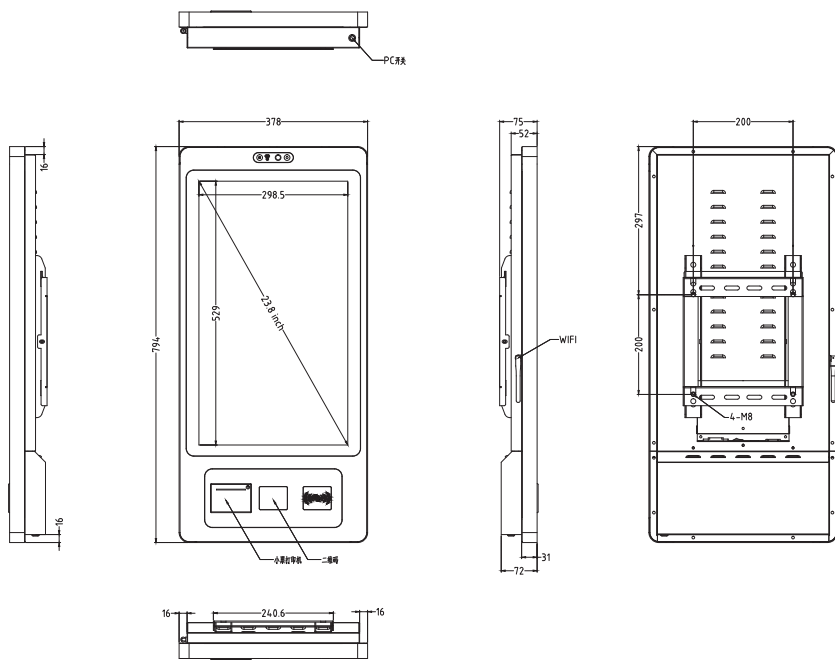
4G LTE



Finger Print
Sensor



Camera



**Multiple Peripherals
Optional**
Free customization

Windows/Linux

CPU	Intel Celeron® J4125
Graphic GPU	Intel® UHD Graphics
Audio	Built-in amplifier output 3W@4 ; 1.7W@8 max
Memory	8GB DDR4
Storage	Foresee mSATA-128GB
Network	WIFI-NE238H-2.4G
Pre-installed OS	Windows 10 Enterprise 2019

External Connectors

12v DC IN	x1	HDMI	x1
VGA	x1	USB 3.0	X1
RJ45 Ports	x1	F_Mic	x1
F_OUT	x1	USB 2.0	X3

LCD Panel

Screen diagonal	23.8inch
Display active screen size (mm)	529*298.5
Aspect ratio	16:9
Physical resolution	1920*1080
Colours displayed	16.7M
Brightness (cd/m2)	250
Contrast	1000:1
Visual Angle H/V (°)	175/175
Backlight Lifetime (hours)	LED 15,000

Power

Power Supply - Adapter	100-240V AC
Working Power (V)	12
Power Consumption (W)	<60
Stand-By Consumption (W)	<1

Android

CPU	Rockchip RK3568
Graphic GPU	ARM G52 2EE
Audio	-
Memory	2G (4G optional)
Storage	16G/32G eMMC
Network	10/100/1000M RJ45, 802.11a/b/g/n Wifi
Pre-installed OS	Android 11

External Connectors

12v DC IN	x1	HDMI out	x1
RS232	x1	USB 3.0	X1
RJ45 Ports	x1	USB 2.0	X1
Audio	x1		

Touch Panel

Touch Technology	Projected Capacitive
Touch Connector	USB
Surface Hardness	7h

Operation

Operating Temperature	0°C-50°C
Humidity Range (RH)	10% - 80%
Net weight (kg)	14kg
Gross weight (kg)	19kg
Housing material	Sheet Metal
Housing (mm) L * W * H	378*794* 72
Mounting	200*200

Included in the Delivery

Manual	x1	Power Supply	x1
Wall mount bracket	x1	WIFI antenna	X1

Windows/Linux

CPU	Intel Celeron® J4125
Graphic GPU	Intel® UHD Graphics
Audio	Built-in amplifier output 3W@4 ; 1.7W@8 max
Memory	8GB DDR4
Storage	Foresee mSATA-128GB
Network	WIFI-NE238H-2.4G
Pre-installed OS	Windows 10 Enterprise 2019

External Connectors

12v DC IN	x1	HDMI	x1
COM RS232	x1	USB 3.0	X1
RJ45 Ports	x1	F_Mic	x1
F_OUT	x1	USB 2.0	X3

LCD Panel

Screen diagonal	27inch
Display active screen size (mm)	529*298.5
Aspect ratio	16:9
Physical resolution	1920*1080
Colours displayed	16.7M
Brightness (cd/m2)	250
Contrast	1000:1
Visual Angle H/V (°)	175/175
Backlight Lifetime (hours)	LED 15,000

Power

Power Supply - Adapter	100-240V A C
Working Power (V)	12
Power Consumption (W)-PC	<60
Power Consumption (W)-Android	<48
Stand-By Consumption (W)	<1

Android

CPU	Rockchip RK3568
Graphic GPU	ARM G52 2EE
Audio	-
Memory	2G (4G optional)
Storage	16G/32G eMMC
Network	10/100/1000M RJ45, 802.11a/b/g/n Wifi
Pre-installed OS	Android 11

External Connectors

12v DC IN	x1	HDMI out	x1
RS232	x1	USB 3.0	X1
RJ45 Ports	x1	USB 2.0	X1
Audio	x1		

Touch Panel

Touch Technology	Projected Capacitive
Touch Connector	USB
Surface Hardness	7h

Operation

Operating Temperature	0°C-50°C
Humidity Range (RH)	10% - 80%
Net weight (kg)	14kg
Gross weight (kg)	20.5kg
Housing material	Sheet Metal
Housing (mm) L * W * H	413*867* 72
Mounting	200*200

Included in the Delivery

Manual	x1	Power Supply	x1
Wall mount bracket	x1	WIFI antenna	X1

32" Touch Screen Kiosk |

GD32C



Barcode Reader



NFC RFID



Thermal Printer



4G LTE



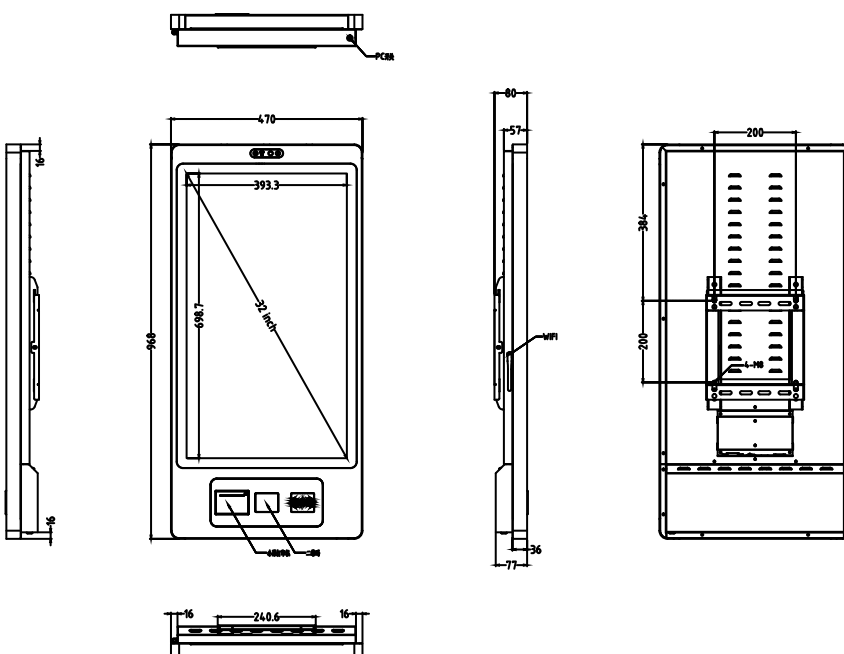
Finger Print Sensor



Camera

**Multiple Peripherals
Optional**

Free customization



Windows/Linux

CPU	Intel Celeron® J4125
Graphic GPU	Intel® UHD Graphics
Audio	HD Audio: ALC897
Memory	8GB DDR4
Storage	Foresee mSATA-128GB
Network	WIFI-NE238H-2.4G

Pre-installed OS	Windows 10 Enterprise 2019
------------------	----------------------------

External Connectors

12v DC IN	x1	HDMI	x1
COM RS232	x1	USB 3.0	X1
RJ45 Ports	x1	F_Mic	x1
F_OUT	x1	USB 2.0	X3

LCD Panel

Screen diagonal	32inch
Display active screen size (mm)	698.7*393.3
Aspect ratio	16:9
Physical resolution	1920*1080
Colours displayed	16.7M
Brightness (cd/m2)	250
Contrast	1000:1
Visual Angle H/V (°)	175/175
Backlight Lifetime (hours)	LED 15,000

Power

Power Supply - Adapter	100-240V AC
Working Power (V)	12
Power Consumption (W)	<80
Stand-By Consumption (W)	<1

Android

CPU	Rockchip RK3568
Graphic GPU	ARM G52 2EE
Audio	-
Memory	2G (4G optional)
Storage	16G/32G eMMC
Network	10/100/1000M RJ45, 802.11a/b/g/n Wifi

Pre-installed OS	Android 11
------------------	------------

External Connectors

12v DC IN	x1	HDMI out	x1
RS232	x1	USB 3.0	X1
RJ45 Ports	x1	USB 2.0	X1
Audio	x1		

Touch Panel

Touch Technology	Projected Capacitive
Touch Connector	USB
Surface Hardness	7h

Operation

Operating Temperature	0°C-50°C
Humidity Range (RH)	10% - 80%
Net weight (kg)	18kg
Gross weight (kg)	28kg
Housing material	Sheet Metal
Housing (mm) L * W * H	470*968* 77
Mounting	200*200

Included in the Delivery

Manual	x1	Power Supply	x1
Wall mount bracket	x1	WIFI antenna	X1



Floor Stand Kiosk

TouchWo KD series self-service kiosks can improve your business endlessly, there are OS of Windows, Android and Linux options.

It can be built in NFC/RFID card reader, camera, qr code scanner or printer flexible.

Whatever the setting, these appliances are sure to bring convenience to customers in a contemporary manner.

Having a stylish floor standing Kiosk in your restaurant, hotel , hospital, conference center or any other commercial venue will give a sense of security while helping to enhance the overall experience for your customers.

KD

15.6" Floor Stand Touch Kiosk | KD156B



Industrial Power Supply
Support 24/7 Commercial Use

Multiple Peripherals
Free customization

PC System

		Optional
CPU	Intel Celeron® Jasperlake N5095 /	Rockchip RK3568
Graphic GPU	Intel® UHD Graphics	ARM G52 2EE
Audio	HD Audio: ALC897+ Colay ; AD52080	-
Memory	DDR4-2666MHz-SODIMM-8G	2G (4G optional)
Storage	mSATA-128GB	16G eMMC
Network	10/100/1000M RJ45, 802.11a/b/g/n/ac Wifi	10/100M RJ45, 802.11a/b/g/n Wifi
Pre-installed OS	Windows 10 Enterprise 2019 LTSC	Android 11

LCD Panel

IP Rating	IP65 Front
Screen diagonal	15.6inch
Display active screen size (mm)	344(W)*193(H)mm
Aspect ratio	16:9
Physical resolution	1920*1080
Colours displayed	16.7M
Brightness (cd/m2)	250
Contrast	1000:1
Visual Angle H/V (°)	175/175
Backlight Lifetime (hours)	LED / 30,000

Power

Power Supply	100-240V AC;
Working Power (V)	12
Power Consumption (W)	<48
Stand-By Consumption (W)	<1

Internal Connectors

USB2.0	x 7	RS232 (In-board pins)	x1
DB9 (RS232/485Optional)	x1	SATA HDD/SSD slot	x1
MSATA SSD	x1	Pin for Speaker(3W/4Ω)	x1
DDR4 SO-DIMM(8GB)	x1	USB 3.0	x1

External Connectors

RJ45 Ports	x1	USB 2.0	X2
Power Socket	X1		

Operation

Operating Temperature (°C)	0°C-50°C
Humidity Range (RH)	0% - 90%
Net weight (kg)	20.1kg
Gross weight (kg)	25.6kg
Housing material	Sheet metal
Dimension (mm) L × W × H	254*1464*380

Touch Panel

Touch Technology	Projected Capacitive
Touch Connector	USB
Surface Hardness	7

Included in the Delivery

Manual	x1
WIFI antenna	X1
Package Dimension(mm)	335*1600*480

Peripherals - Optional

Thermal Printer



Basic Version

HS-QR24

Printing Speed	50mm/s
Printing Width	48mm
Paper Width	58mm
Resolution	8dots/mm (384 dots/line)
Paper Roll	MAX (30mm)
Paper Cut	N/A Auto Paper Cut



Highend Version

HS-EC80

Printing Speed	130mm/s
Printing Width	72mm
Paper Width	80mm
Resolution	8dots/mm (384 dots/line)
Paper Roll	MAX (50mm)
Paper Cut	Auto Paper Cut

Barcode scanner



EMT-8020

Resolution	640*480 CMOS
Accuracy	5 MIL
View Angle	V:68° H:51°
Scan Distance	25-240mm
Barcode type	1-D code & 2-D code

Camera



Logitech SXT-C270

Camera aperture	2.37
Focal length	0.85mm
Field of view	70°
Microphone	Support
Resolution	5mp
Max Resolution	1600*1200
Object distance	15CM-150CM

4G LTE Module



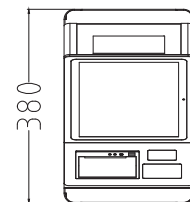
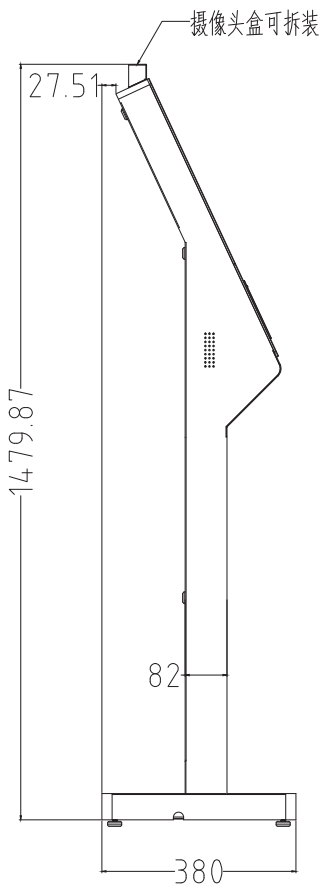
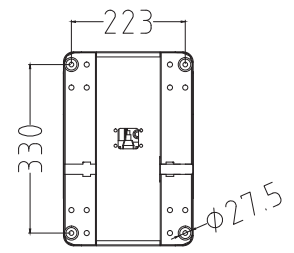
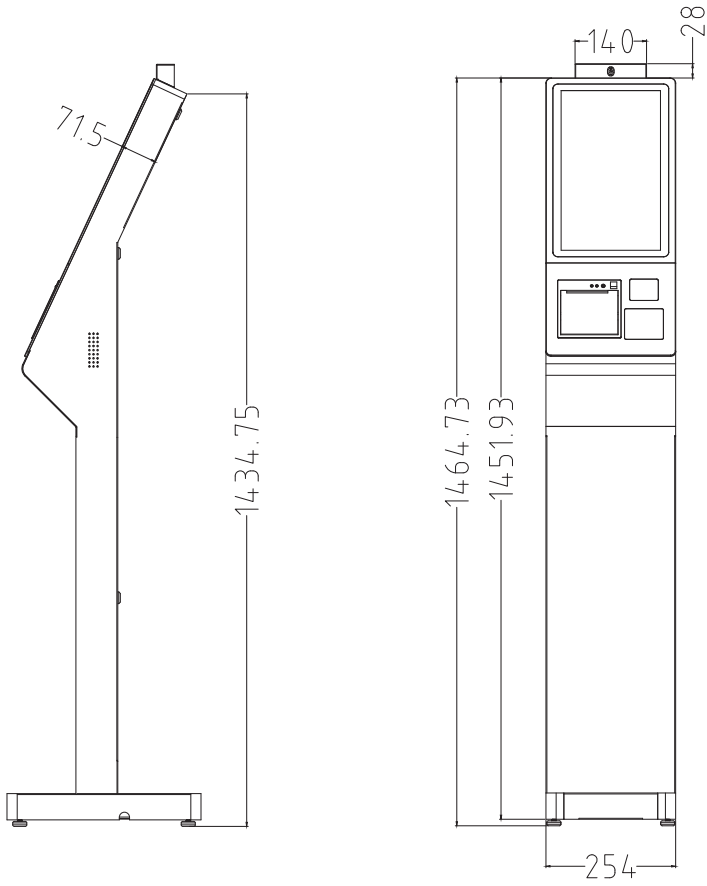
Model	<u>EC20CEFILG-MINIPICIE-C</u>
Supported Formats	LTE-TDD/LTE-FDD/TD-SCDM A/UMTS/EVDO/EDGE/GPRS/ GSM/CDMA/GPS

RFID Card Reader - NFC



LK-M13

Protocols	ISO14443A
card types support	0.85mm
Reading distance	70°
Communication Rate	Support
Interface	USB/RS232/TTL
Max Resolution	1600*1200
Operating frequency	13.56MHZ
NFC support / Mifare(1k/4k)	
NXP S50,NXP S70	



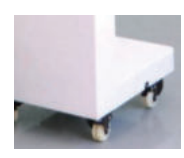
21.5" Floor Stand Touch Kiosk | KD215B



Sleek Styling
Tempered edge-to-edge glass face



Industrial Power Supply
Support 24/7 Commercial Use



Wheels Added
Optional to add, Freely move it



Multiple Peripherals
Free customization

PC System (Optional)

CPU	Intel Celeron® J4125 /	Optional Rockchip RK3568
Graphic GPU	Intel® UHD Graphics	ARM G52 2EE
Audio	HD Audio: ALC897+ Colay ; AD52080	-
Memory	DDR4-2666MHz-SODIMM-8G	2G (4G optional)
Storage	mSATA-128GB	16G eMMC
Network	10/100/1000M RJ45, 802.11a/b/g/n/ac Wifi	10/100M RJ45, 802.11a/b/g/n Wifi
Pre-installed OS	Windows 10 Enterprise 2019 LTSC	Android 11

LCD Panel

Screen diagonal	21.5inch
Display active screen size (mm)	477.6*269.1
Aspect ratio	16:9
Physical resolution	1920*1080
Colours displayed	16.7M
Brightness (cd/m2)	300
Contrast	1000:1
Visual Angle H/V (°)	175/175
Backlight Lifetime (hours)	LED 30,000

Power

Power Supply	100-240V AC;
Working Power (V)	12
Power Consumption (W)	<48
Stand-By Consumption (W)	<1

Internal Connectors

USB2.0	x 7	RS232 (In-board pins)	x1
DB9 (RS232/485Optional)	x1	SATA HDD/SSD slot	x1
MSATA SSD	x1	Pin for Speaker(3W/4Ω)	x1
DDR4 SO-DIMM(8GB)	x1	USB 3.0	x1

External Connectors

RJ45 Ports	x1	USB 2.0	X2
Power Socket	X1		

Operation

Operating Temperature (°C)	0°C-50°C
Humidity Range (RH)	0% - 90%
Net weight (kg)	23.3kg
Gross weight (kg)	36kg
Housing material	Sheet metal
Housing (mm) L × W × H	315*401.8*1500

Touch Panel

Touch Technology	Projected Capacitive
Touch Connector	USB
Surface Hardness	7

Included in the Delivery

Manual	x1
WIFI antenna	X1
Package Dimension(mm)	540*1580*460

Peripherals - Optional

Thermal Printer



Basic Version

HS-QR24

Printing Speed	50mm/s
Printing Width	48mm
Paper Width	58mm
Resolution	8dots/mm (384 dots/line)
Paper Roll	MAX (30mm)
Paper Cut	N/A Auto Paper Cut



Highend Version

HS-EC80

Printing Speed	130mm/s
Printing Width	72mm
Paper Width	80mm
Resolution	8dots/mm (384 dots/line)
Paper Roll	MAX (50mm)
Paper Cut	Auto Paper Cut

Barcode scanner



EMT-8020

Resolution	640*480 CMOS
Accuracy	5 MIL
View Angle	V:68° H:51°
Scan Distance	25-240mm
Barcode type	1-D code & 2-D code

Camera



Logitech SXT-C270

Camera aperture	2.37
Focal length	0.85mm
Field of view	70°
Microphone	Support
Resolution	5mp
Max Resolution	1600*1200
Object distance	15CM-150CM

4G LTE Module



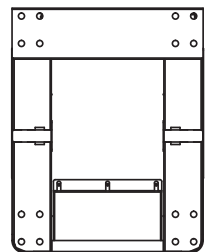
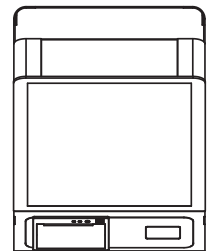
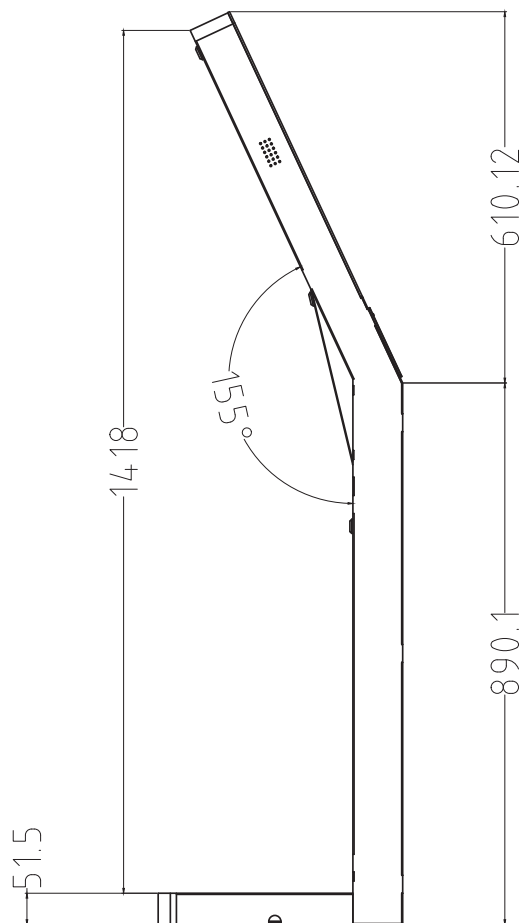
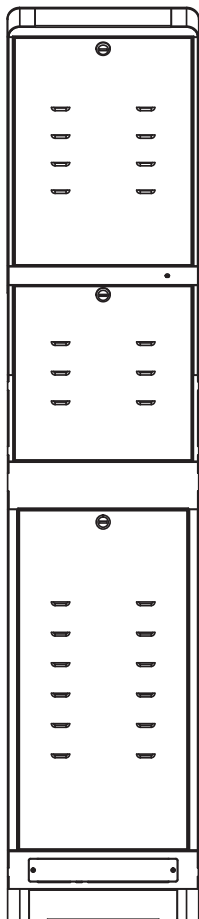
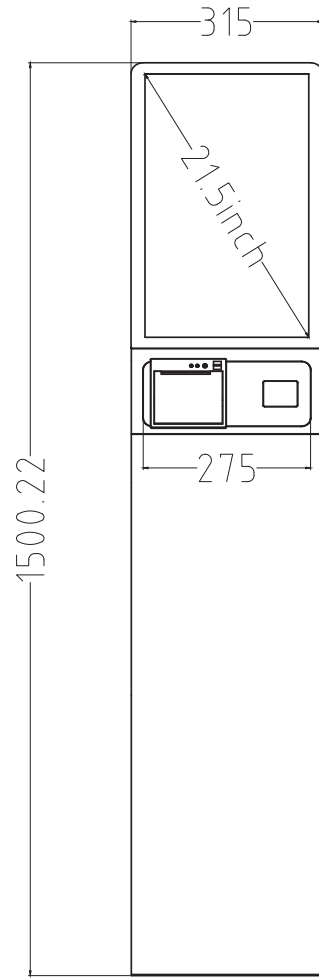
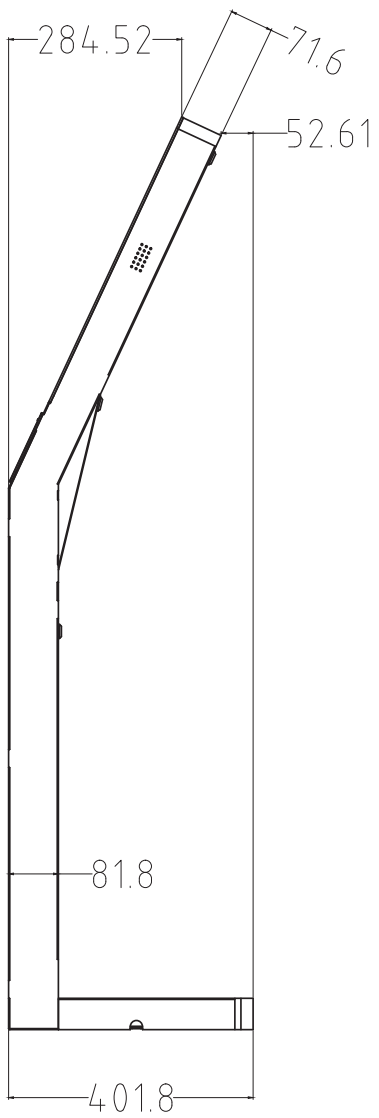
Model	<u>EC20CEFILG-MINIPCIE-C</u>
Supported Formats	LTE-TDD/LTE-FDD/TD-SCDM A/UMTS/EVDO/EDGE/GPRS/ GSM/CDMA/GPS

RFID Card Reader



LK-M13

Protocols	ISO14443A
card types support	0.85mm
Reading distance	70°
Communication Rate	Support
Interface	USB/RS232/TTL
Max Resolution	1600*1200
Operating frequency	13.56MHZ
NFC support	
Mifare(1k/4k)	
NXP S50,NXP S70	



32" Floor Stand Touch Kiosk |

KD32B



PC System (Optional)

		Optional
CPU	Intel Celeron® J4125 /	Rockchip RK3568
Graphic GPU	Intel® UHD Graphics	ARM G52 2EE
Audio	HD Audio: ALC897+ Colay ; AD52080	-
Memory	DDR4-2666MHz-SODIMM-8G	2G (4G optional)
Storage	mSATA-128GB	16G eMMC
Network	10/100/1000M RJ45, 802.11a/b/g/n/ac Wifi	10/100M RJ45, 802.11a/b/g/n Wifi
Pre-installed OS	Windows 10 Enterprise 2019 LTSC	Android 11

LCD Panel

Screen diagonal	32inch
Display active screen size (mm)	698.4*392.85
Aspect ratio	16:9
Physical resolution	1920*1080
Colours displayed	16.7M
Brightness (cd/m2)	300
Contrast	1000:1
Visual Angle H/V (°)	175/175
Backlight Lifetime (hours)	LED 30,000

Power

Power Supply	100-240V AC;
Working Power (V)	12/24
Power Consumption (W)	<95
Stand-By Consumption (W)	<0.5

Internal Connectors

USB2.0	x 7	RS232 (In-board pins)	x1
DB9 (RS232/485Optional)	x1	SATA HDD/SSD slot	x1
MSATA SSD	x1	Pin for Speaker(3W/4Ω)	x1
DDR4 SO-DIMM(8GB)	x1	USB 3.0	x1

External Connectors

RJ45 Ports	x1	USB 2.0	X2
Power Socket	X1		

Operation

Operating Temperature (°C)	0°C-50°C
Humidity Range (RH)	10% - 80%
Net weight (kg)	23.3kg
Gross weight (kg)	36kg
Housing material	Sheet metal
Housing (mm) L × W × H	470*1688.1*469.9

Touch Panel

Touch Technology	Projected Capacitive
Touch Connector	USB
Surface Hardness	7

Included in the Delivery

Manual	x1
WIFI antenna	X1
Package Dimension(mm)	560*1900*500

Peripherals - Optional

Thermal Printer



Basic Version

HS-QR24

Printing Speed	50mm/s
Printing Width	48mm
Paper Width	58mm
Resolution	8dots/mm (384 dots/line)
Paper Roll	MAX (30mm)
Paper Cut	N/A Auto Paper Cut



Highend Version

HS-EC80

Printing Speed	130mm/s
Printing Width	72mm
Paper Width	80mm
Resolution	8dots/mm (384 dots/line)
Paper Roll	MAX (50mm)
Paper Cut	Auto Paper Cut

Barcode scanner



EMT-8020

Resolution	640*480 CMOS
Accuracy	5 MIL
View Angle	V:68° H:51°
Scan Distance	25-240mm
Barcode type	1-D code & 2-D code

Camera



Logitech SXT-C270

Camera aperture	2.37
Focal length	0.85mm
Field of view	70°
Microphone	Support
Resolution	5mp
Max Resolution	1600*1200
Object distance	15CM-150CM

4G LTE Module



Model	<u>EC20CEFILG-MINIPCIE-C</u>
Supported Formats	LTE-TDD/LTE-FDD/TD-SCDM A/UMTS/EVDO/EDGE/GPRS/ GSM/CDMA/GPS

RFID Card Reader



LK-M13

Protocols	ISO14443A
card types support	0.85mm
Reading distance	70°
Communication Rate	Support
Interface	USB/RS232/TTL
Max Resolution	1600*1200
Operating frequency	13.56MHZ
NFC support	
Mifare(1k/4k)	
NXP S50,NXP S70	

