



# 15.6 inch Capacitive Touch Multifunctional All in one PC

( Model:GD156-005 )



Version V1.5

We apologize that if something changed without notice.



# Content

1. Introduction.....	3
1.1 Functional Features.....	3
2. Technical Parameters.....	4
2.1 System.....	4
2.2 LCD Panel.....	4
2.3 Touch Panel.....	4
2.4 Power supply parameters.....	5
2.5 Working environment.....	5
2.6 CPU.....	5
2.7 Card reader (RFID) (optional or customer provide).....	6
2.8 Camera(optional or customer provide).....	7
3 Interfaces & Accessories.....	7
3.1 Interfaces for Touchscreen Monitor.....	7
3.2 Interfaces for Android Touch PC.....	7
3.3 Interfaces for Windows Touch PC.....	7
3.4 Accessories.....	8
4. Mechanical Parameters.....	8
5. Product Pictures.....	9
5.1 Overall Pictures.....	10
5.2 Color.....	10
5.3 Details.....	11
5.4 Installations.....	11
6. Warning.....	11



# 1.Introduction

The multifunctional all-in-one machine is a capacitive touch machine that flexibly integrates a variety of devices to achieve multiple functions. It is widely used at the entrance of classrooms in schools, at the entrance of commercial meeting rooms and at the entrance of hospital consultation rooms. The card swiper can support IC and ID cards, NFC, RFID. A camera can be built in. Good compatibility, combined with software, can achieve a variety of functions. In addition, our MFPs can provide a variety of customisation services, flexible addition of multiple serial ports, U-ports, etc., and are now also well accepted by major retail and catering industries.

## 1.1 Functional Features

1. Structure : rounded corners with anti-collision design, stylish appearance, compatible with adapters and built-in power supply, easy to install wiring.
2. High safety: built-in power supply board, PVC wrapping, automatic protection against power leakage.
3. Convenient installation: built-in power board, no redundant adapters, wires can come out from above/right in the middle/below, easy to route and install.
4. Secure wall-mount: convex hole position, tighter jamming, built-in lock hole, anti-theft and prevent falling off, more secure and safe.
5. Waterproof : pure flat capacitive screen, full waterproof design on the front, semi-outdoor conditions, no worry about rain damage to the machine.



6. Capacitive touch: 10-point capacitive screen, 5 ms response, Mohs 7 level explosion-proof glass, wear-resistant and not easy to scratch, high security.
7. Compatible with X86 OS and Android OS.
8. New A-type LCD screen with HD resolution and clear and natural colors.
9. Support customization: provide a variety of customization services, add multiple serial ports, U-port; (Also: appearance color, logo, camera, 4G module, RFID card reader, fingerprint scanner, etc.)

## 2. Technical Parameters

2.1 System	
Output (Android/X86 PC)	HDMI output inside
Input (Touchscreen monitor)	VGA、HDMI input
Touch	PCAP,10 points touch,
Display	HDMI/VGA 1920*1080
Video decoding	1080P Full HD, MPEG, H.264 etc
Design	alloy aluminum frame,metal sheet design, round corner
System Integration	Display ,touch, button switch
2.2 LCD Panel	
Screen Type	A-Si,TFT-LCD, back-light, A-type
Size	15.6 inch (16:9)
Display area	344 (W) * 194 (H) mm
Resolution	1920*1080P
Brightness	≥ 250 cd/m <sup>2</sup>
Contrast ratio	≥ 1000:1
Response time	25(Typ.)(Tr/Td) ms
Number of colors	16.7M(EDP 30 Pins)
Refresh rate	60Hz
Viewing angle	85/85/85/85 (Typ.) CR≥10) left/right/up/down
Life time	15000 hours
2.3 Touch Panel	
Touch technology	Projected capacitive technology (capacitive touchscreen)
Response time	<5ms
Touch points	10 points standard, zoom in/ zoom out options



Touch effective recognition	>1.5mm		
Scanning Frequency	200Hz	Scanning accuracy	4096×4096
Communications	USB 2.0,3.0	Theoretical Clicks	50 Millions
Firmware	Upgraded by USB	Driver	NO
Working Current/Voltage	180Ma/DC+5V±5%		
Surface Hardness	Chemically tempered, Mohs class 7 explosion-proof glass		
OS	Win 7/ Win 8/Win 10/CE/Mac/Android/Linux /XP		
<b>2.4 Power supply parameters</b>			
Input Power	110-240V AC 50/60Hz		
Output power	DC 12V 4A		
Consumption for Touch monitor	<48W		
Consumption for Touch Android	<48W		
Standby power consumption	<0.5W	Speaker	4Ω3w
<b>2.5 Working environment</b>			
Operating temperature	0°C-50°C		
Working humidity	10% - 80%		
Storage temperature	-5°C-60°C		
Storage humidity	10% - 70%		
Altitude	Under 5000 meters		

## 2.6 CPU

Project	Touchscreen Monitor	Android	X86 Standard Version	X86 Elite Version	Custom Design
Chip	Same as display parameters	Quad-core RK3288 Quad-core RK3568 Heta-core RK3399	Default: Intel N5095/J4125/ J1900	Industrial grade I3/I5/I7	YES
Ram		2G/4G	2G/4G/8G/16G		
Hard Disk		8G/16G/32G options	SSD:32G/64G/128G/256G/512G		
Graphics		Android HD	Core Graphics Cards		
Definition	720P/1080P				
Operating System		Android 7.1/9.0 for rk3288/rk3399 Android 11 for rk3568	Win 7/ Win 8/Win 10/ Linux		
NIC	Integrated 10/100 / 1000M adaptive network card, wireless network card 802.11a / b / g / n				



## 2.7 Card reader (RFID) (optional or customer provide)

Cards	Support Mifare standard, S50 and S70 etc. 14443A protocol cards / 15693 protocol / ICODE2 chip cards		
OS	Windows98\XP32\XP64\2000\CE\7\ME\NT\LIUNIX\Vista32\Vista64\Android		
Protocol	ISO14443A, 15693 protocol, 14443A & 15693 protocol, $\mu$ EM		
Distance	0~50mm(Differences in recognition distances between cards)		
Card Type	Read and write to ISO14443TYPEA-compliant MIFARE series cards		
Built-in speaker	Buzzer		
Size	104(L)*65(W)*10(H)mm / 50(L)*32(W)*3(H)mm		
Reading time	<100ms	Reading speed	0.2s
Reading interval	0.5s	Communication interface	USB/RS232/TTL
Power	USB in	Operating voltage	5V
Operating current	100mA	Weight	140g
Communication speed	106Kbit	Read-through rate	9600bps
Antennae	All in one	Relative humidity	10%~80%
Frequency	125K HZ/13.56MHZ	Operating temperature	-5°C~65°C
<b>Please contact salesperson for precise selection</b>			



## 2.8 Camera(optional or customer provide)

◆2MP/5MP optional

Aperture	2.37/2.8	Interface	USB2.0
Relative illumination	65%	Field of view	60°
TV distortion	<5%	Size of the light sensitive area	1/5-inch
Microphone	optional	Pixels	2MP/5MP
Maximum resolution	1616*1232/2592*1944	Focal length adjustment	80CM
Pixel dot	1.75μm×1.75μm / 1.4μm×1.4μm		
Size	60mm×8mm×5.2mm / 60mm×9.2mm×5.5mm		
<b>Please contact salesperson for precise selection</b>			

## 3 Interfaces & Accessories

### 3.1 Interfaces for Touchscreen Monitor

DC Jack	2.1mm DC 12V	Audio	1
VGA input(15pin D-Sub)	1	HDMI input	1
USB touch port	1		

### 3.2 Interfaces for Android Touch PC

DC Jack	2.1mm DC 12V	Headphone	1
RJ45	1	HDMI	1
USB(with OTG)	2	WIFI	1
TF /SD card slot	1	TTL/232/485 options	

### 3.3 Interfaces for Windows Touch PC

DC Jack	2.5mm DC12V*1	RJ45	1
VGA Out(15 pin D-Sub)	1	HDMI output	1
USB	4	Headphone/MIC	1/1
WIFI	1	RS232/RS485 com (2-6) options	



### 3.4 Accessories

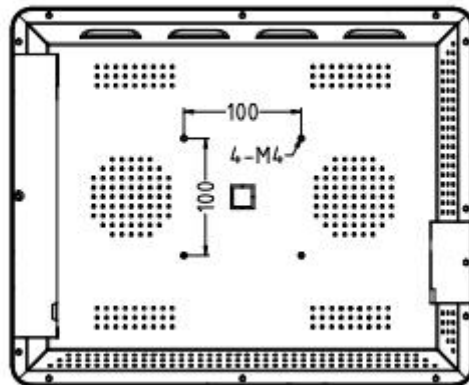
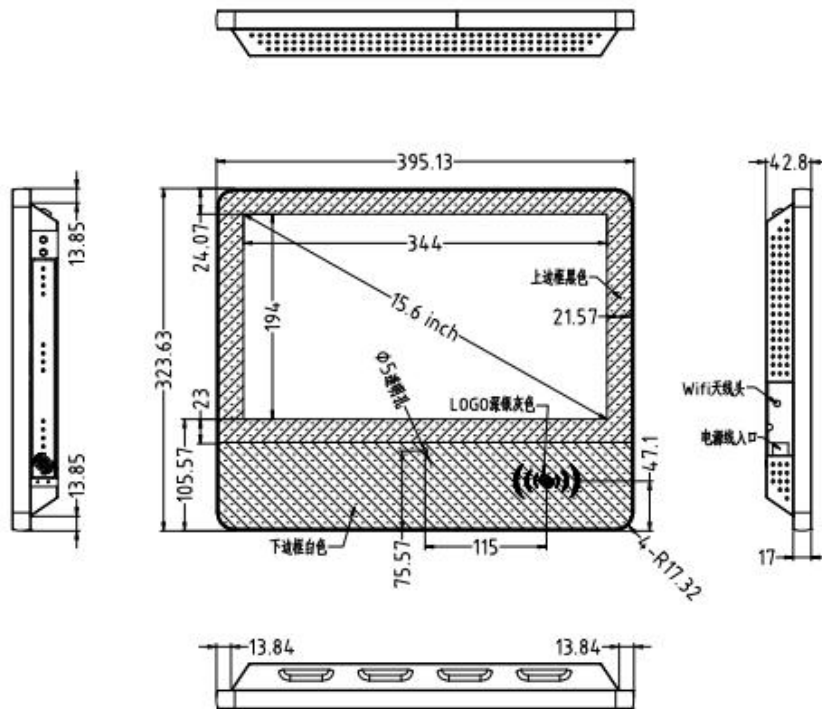
Instructions	*1	Certificate	*1
Wall mount/bracket	*1	AC Power line	*1(On connected machines)
Warranty Card	*1	Key	*2
USB/HDMI	*1/ each (standard with monitor only)	WiFi Antennae	*1(For windows /Android external WiFi only)



### 4. Mechanical Parameters

Size	15.6''
Display size	344 * 194mm (16:9)
Machine size (W * H *T)	395.13(W)×323.63(H)× 42.8(T)mm
Package size (W * H *T)	475(W)×450(H)×145(T)mm
Mounting bracket	Wall mounted/desktop stand options
VESA hole	100×100 mm
Wall screw specifications	M4
Net weight	4.8KG
G.W (packaging)	6.3KG







## 5. Product Pictures

### 5.1 Overall Pictures



### 5.2 Color

#### Black-White-Silver





## 5.3 Details



## 5.4 Installations



## 6. Warning

1. This product is a precision electronic device, the front is IP65, and the overall protection level is IPX3, so care should be taken to avoid water splashing and rain;
2. Do not place the equipment in a humid environment. Outdoor equipment needs to be equipped with a moisture-proof cover. When it rains and dew condensation, it



needs to be protected to prevent water mist from entering the machine and the glass from becoming moldy. Wet use environment will accelerate the rapid aging of electronic components, thereby reducing the service life of this product and causing moisture damage to components;

3. Do not place the device in an environment with strong ultraviolet rays and direct sunlight for a long time. When the temperature is higher than  $50^{\circ}\text{C}$ , ultraviolet rays and high temperature irradiate the screen will accelerate the deflection of liquid crystal molecules, and the screen will accelerate aging. When the outdoor temperature is higher than  $50^{\circ}\text{C}$ , move it indoors or perform shading treatment;

4. The brightness of the product is not less than  $250\text{cd}/\text{m}^2$ . In the case of high ambient brightness, the screen display will not be clear. Please avoid placing it outdoors when the sun is strong;

5. When the temperature is lower than  $0^{\circ}\text{C}$ , the screen may not work properly due to the influence of the deflection of the liquid crystal molecules. It is not recommended to use it when the temperature is lower than  $0^{\circ}\text{C}$ ;