



8 inch Capacitive Touch Panel PC

(Model:TD080W-A01)



Version V1.7

We apologize that if something changed without notice.



Content

1、 Introduction.....	3
1.1 Brief introduce.....	3
1.2 Functional Features.....	3
2、 T e c h n i c a l Parameters.....	4
2.1 System	4
2.2 LCD Panel.....	2
2.3 Touch Panel	2
2.4 Electrical Properties.....	4
2.5 Working Environment.....	5
2.6 CPU	5
3、 Interfaces & Accessories.....	5
3.1 Interfaces For Android Touch PC	5
3.2 Interfaces For Windows Touch PC.....	6
3.3 Accessories.....	6
4、 Mechanical Parameters.....	7
4.1 Mechanical Drawing	7
5、 Product Pictures.....	8
5.1 Overall Pictures.....	8
5.2 Colors	8
5.3 Details.....	9
5.4 Installations.....	9
6、 Warning



1、 Introduction

TouchWo capacitive touch all-in-one computer / monitor integrate the advantages of touch. Computer. Multimedia. Audio. internet, industrial design, structural innovation etc. is a convenient and new type of human-computer interaction equipment. A pure flat structure with excellent touch effects to make the query and display of information at fast speed, and do the human-computer interaction in a simple way .

1.1、 Functional Features

1. PCAP Touch : 10 points capacitive touch technology, 5ms rapid response, accuracy and stable
2. Display : Brand new LCD panel with A rated, 1024*600 resolution , brightness ≥ 250 cd/m² .colors displayed clear and natural.
3. System : Android & Windows options
4. Quality Confirmed : Each machine has undergone multiple inspections such as machine aging, temperature and humidity testing, electrostatic testing, vibration, high voltage, touch and click, and display to ensure stable quality.;
5. Mechanical : Private module designed, air gap bonding, good seamless design, IP65 at front panel.Pure flat and slim, the thinnest part is 7mm only.
6. Material : Aluminum alloy frame /housing, Unibody ,lighter and good looks,corrosion and oxidation resistance
7. Customization: customized is welcome. Flexible to add serial and USB numbers.



8. (such as colors, logo, camera,LTE module, card reader, fingerprint module and POE power supply etc)
9. Installation: Support wall mount /desktop/embedded installations, plug and play

2、 Technical Parameters

2.1、 System			
Output (Android PC)	HDMI output inside		
Input (Touchscreen monitor)	VGA、 HDMI input		
Touch	PCAP,10 points touch,		
Display	HDMI/VGA 1024*600		
Video decoding	MPEG、 H.264 etc		
Design	alloy aluminum frame,metal sheet design, round corner		
System Integration	Display ,touch, button switch		
2.2、 LCD Panel			
Screen Type	A-Si,TFT-LCD, back-light, A-type		
Size	8 inch (16:10)		
Display area	173.22mm (W)* 108.64(H) mm		
Resolution	1024*600		
Brightness	≥ 250 cd/m ²		
Contrast ratio	≥ 800: 1		
Response time	10/15(Typ.)(Tr/Td)		
Number of colors	16M , 52% (CIE1931) MIPI 31 Pins		
Refresh rate	60Hz		
Viewing angle	85/85/85/85 (Typ.) CR≥10) left/right/up/down		
Life time	15000 hours		
2.3、 Touch Panel			
Touch technology	PCAP		
Response time	< 5ms		
Touch points	10 points standard, zoom in/ zoom out options		
Touch effective recognition	1.5	Data output method	Coordinate output
Scanning Frequency	200Hz	Scanning accuracy	4096×4096



Communications	USB 2.0,3.0	Theoretical Clicks	> 50 Millions
Firmware	Upgraded by USB	Driver	NO
Working Current/Voltage	180Ma/DC+5V±5%		
Surface Hardness	Chemically tempered, Mohs class 7 explosion-proof glass		
OS	Win 7/ Win 8/Win 10/CE/Mac/Android/Linux /XP		
2.4、 Power supply parameters			
Input Power	110—240V AC 50/60Hz		
Output power	DC 12V 3A		
Consumption for Touch Android	< 25W		
Standby power consumption	< 0.5W	Speaker	8Ω3w
2.5、 Working environment			
Operating temperature	0°C-50°C		
Working humidity	10% - 80%		
Storage temperature	-5°C-60°C		
Storage humidity	10% - 70%		
Altitude	Under 5000 meters		

2.6、 CPU

Project	Android	X86	Custom Design
Chip	Quad-core RK3288 Quad-core RK3568	N5095/i5	YES
Ram	2gb/4gb	2gb/4gb/8gb	
Hard Disk	8gb/16gb/32gb options	SSD : 32/64/128/256/512gb	
Graphics	Android HD	Core Graphics	
Definition	720P/1080P		
Operating System	Android 7.1 Android 11 for RK3568	Win 7/ Win 8/Win 10/ Linux	
Internet	Integrated 10/100/1000M, wireless 802.11a/b/g/n		



3、 Interfaces & Accessories

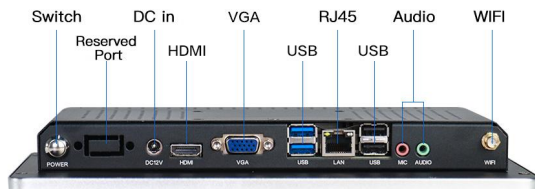
3.1 Interfaces for Android Touch PC

DC Jack	2.1mm DC12V*1	Headphone	1
RJ45	1	HDMI	1
USB(with OTG)	2	WIFI	1
TF /SD card slot	1	TTL/232/485 options	

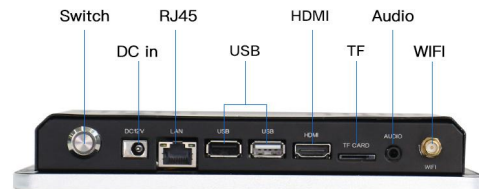
3.2 Interfaces for Windows Touch PC

DC Jack	2.5mm DC12V*1	VGA output (15 pins)	1
RJ45	1	HDMI	1
USB	4	WIFI	1
Headphone/MIC	1	TTL/232/485 options	

Windows



Android



3.3 Accessories

Instructions	*1
AC Power line	*1
Power Adapter	*1
Wall mount/bracket	*1
Warranty Card	*1
Certificate	*1
Wifi Antenna	*1



Instruction



Warranty



Adapter



HDMI



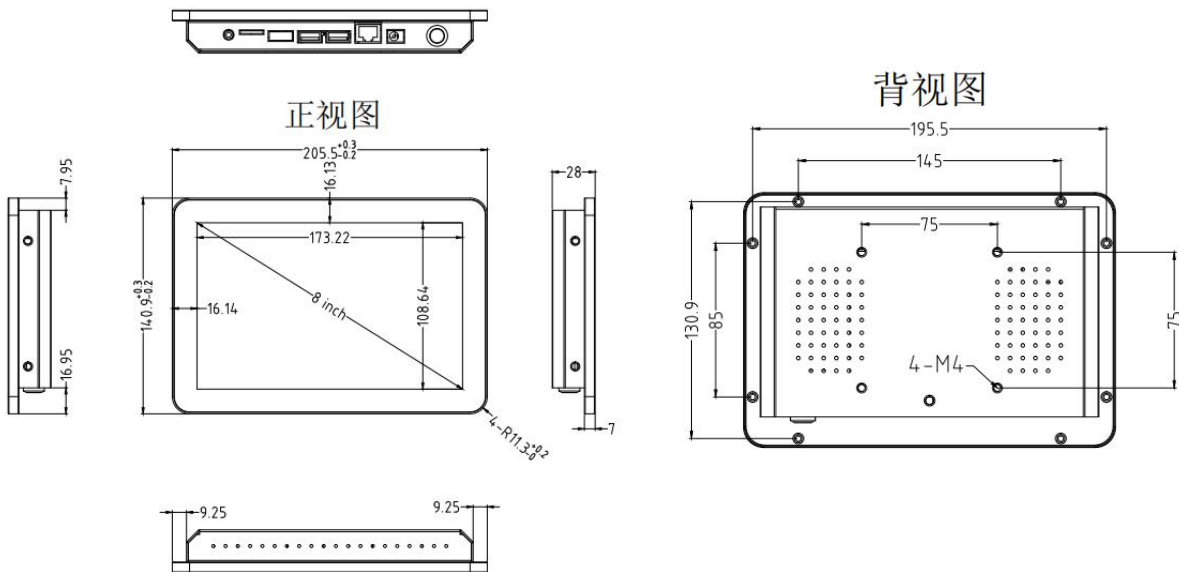
USB



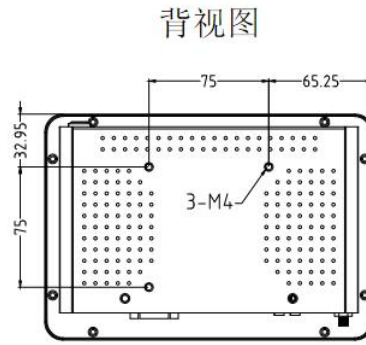
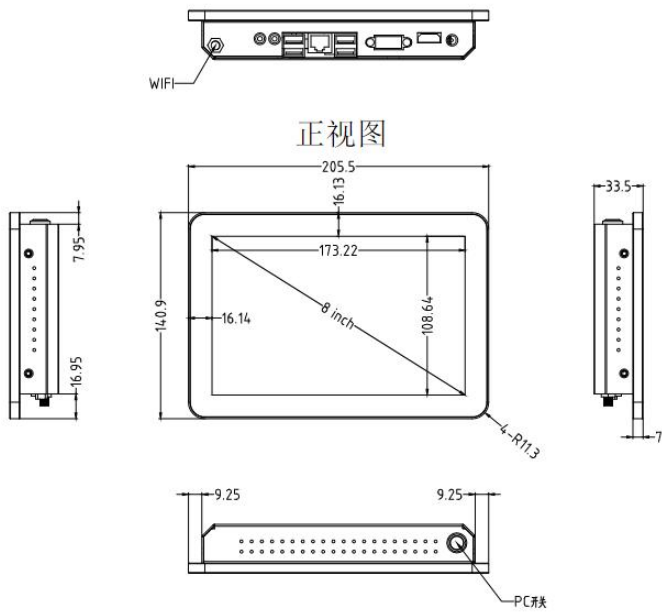
Wall mounted desktop bracket

4、 Mechanical Parameters

Size	8"
Display size	173.22 * 108.64 mm (16: 10)
Machine size (W * H *T) (Android)	205.5×140.9×28mm
Machine size (W * H *T) (Windows)	205.5×140.9×33.5mm
Package size (W * H *T)	340×277×97mm
Mounting bracket	Wall mounted
VESA hole	75×75 mm
Wall screw specifications	M4
Net weight	0.6 KG
G.W (packaging)	1.6KG



Android only



Windows only

5、 Product Pictures

5.1 Overall Pictures

Android





Windows



5.2 Color

Black-silver



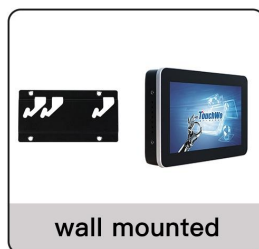


5.3 Details



5.4 Installations

Default :
choose 1 of 2





6. Warning

1. This product is a precision electronic device, the front is IP65, and the overall protection level is IPX3, so care should be taken to avoid water splashing and rain;
2. Do not place the equipment in a humid environment. Outdoor equipment needs to be equipped with a moisture-proof cover. When it rains and dew condensation, it needs to be protected to prevent water mist from entering the machine and the glass from becoming moldy. Wet use environment will accelerate the rapid aging of electronic components, thereby reducing the service life of this product and causing moisture damage to components;
3. Do not place the device in an environment with strong ultraviolet rays and direct sunlight for a long time. When the temperature is higher than 50°C, ultraviolet rays and high temperature irradiate the screen will accelerate the deflection of liquid crystal molecules, and the screen will accelerate aging. When the outdoor temperature is higher than 50°C, move it indoors or perform shading treatment;
4. The brightness of the product is not less than 250cd/m². In the case of high ambient brightness, the screen display will not be clear. Please avoid placing it outdoors when the sun is strong;
5. When the temperature is lower than 0°C, the screen may not work properly due to the influence of the deflection of the liquid crystal molecules. It is not recommended to use it when the temperature is lower than 0°C;