



# 11.6 inch Capacitive Touch Android PC

( Model:TD116C-A01 )



Version 1.6

We apologize that if something changed without notice.



# Content

<b>1、 Introduction</b> .....	<b>3</b>
1.1 Brief introduce.....	3
1.2 Functional Features.....	3
<b>2、 Technical Parameters</b> .....	<b>4</b>
2.1 System .....	4
2.2 LCD Panel.....	2
2.3 Touch Panel .....	2
2.4 Electrical Properties.....	4
2.5 Working Environment.....	5
2.6 CPU .....	5
<b>3、 Interfaces &amp; Accessories</b> .....	<b>5</b>
3.1 Interfaces For Touch Android PC .....	5
3.2 Accessories.....	6
<b>4、 Mechanical Parameters</b> .....	<b>7</b>
4.1 Mechanical Drawing .....	7
<b>5、 Product Pictures</b> .....	<b>8</b>
5.1 Overall Pictures.....	8
5.2 Color .....	8
5.3 Details.....	9
5.4 Installations.....	9
<b>6、 Warning</b> .....	<b>10</b>



# 1、 Introduction

TouchWo capacitive touch all-in-one computer / monitor integrate the advantages of touch. Computer. Multimedia. Audio. internet, industrial design, structural innovation etc. is a convenient and new type of human-computer interaction equipment. A pure flat structure with excellent touch effects to make the query and display of information at fast speed, and do the human-computer interaction in a simple way .

## 1.1、 Functional Features

1. PCAP Touch: 10 points capacitive touch technology, 5ms rapid response, accuracy and stable
2. Display : Brand new LCD panel with A rated, 1920\*1080 resolution, brightness  $\geq 250$ cd/m<sup>2</sup> .colors displayed clear and natural.
3. System : Windows only
4. Quality Confirmed : Each machine has undergone multiple inspections such as machine aging, temperature and humidity testing, electrostatic testing, vibration, high voltage, touch and click, and display to ensure stable quality.;
5. Mechanical : regular bonding, good seamless design, IP65 at front panel. Pure flat and slim
6. Material : Aluminum alloy frame /housing, unibody ,lighter and good looks, corrosion and oxidation resistance
7. Customization: customized is welcome. Flexible to add serial and USB numbers.  
(such as colors, logo, camera, LTE module, card reader, fingerprint module and POE power supply etc)
8. Installation: Support wall mount /desktop/embedded installations, plug and play



## 2、 Technical Parameters

2.1、 System			
Output/Input	HDMI/VGA		
Touch	PCAP,10 points touch,		
Display	Full HD		
Video decoding	MPEG、 H.264 etc		
Design	alloy aluminum frame,metal sheet design, round corner		
System Integration	Display ,touch, button switch		
2.2、 LCD Panel			
Screen Type	A-Si,TFT-LCD,WLED back-light, A-type		
Size	11.6 inch (16:9)		
Display area	258 (W) *146 (H) mm		
Resolution	1920*1080		
Brightness	≥ 250 cd/m <sup>2</sup>		
Contrast ratio	≥ 800: 1		
Response time	25(Typ.)(Tr/Td)		
Number of colors	16.7M , MIPI 30P		
Refresh rate	60Hz		
Viewing angle	85/85/85/85 (Typ.) CR≥10) left/right/up/down		
Life time	15000 hours		
2.3、 Touch Panel			
Touch technology	PCAP		
Response time	< 5ms		
Touch points	10 points standard, zoom in/ zoom out options		
Touch effective recognition	1.5mm	Data output method	Coordinate output
Scanning Frequency	200Hz	Scanning accuracy	4096×4096
Communications	USB 2.0,3.0	Theoretical Clicks	> 50 Millions
Firmware	Upgraded by USB	Driver	NO
Working Current/Voltage	180Ma/DC+5V±5%		
Surface Hardness	Chemically tempered, Mohs class 7 explosion-proof glass		
OS	Win 7/ Win 8/Win 10/CE/Mac/Android/Linux /XP		
2.4、 Power supply parameters			
Input Power	110— 240V AC 50/60Hz		
Output power	DC 12V 3A		
Consumption for Android	< 28W		
Standby power consumption	< 0.5W	Speaker	8Ω3w



2.5、 Working environment	
Operating temperature	0°C-50°C
Working humidity	10% - 80%
Storage temperature	-5°C-60°C
Storage humidity	10% - 70%
Altitude	Under 5000 meters

## 2.6、 CPU

Project	Android	Custom Design
Chip	RK3568/RK3399	YES
Ram	2G/4G	
Hard Disk	8G/16G/32G	
Graphics	Android HD	
Definition	720P/1080P	
Operating System	Android 7.1/9.0 for RK3399 ; Android 11 for RK3568	
Internet	Integrated 10/100/1000M, wireless 802.11a/b/g/n	

## 3 Interfaces & Accessories

### 3.1 Interfaces for Android Touch PC

DC Jack	2.1mm DC12V*1	RJ45	1
VGA	1	HDMI	1
USB(with OTG)	2	Earphone	1
TF/SD slot	1	TTL/232/485 options	



# Android



## 3.3 Accessories

Instructions	*1
Power Adapter	*1
Wall mount/bracket	*1
Warranty Card	*1
Certificate	*1
Wifi Antenna	*1



Instruction

Certificates  
Warranty

Adapter



WIFI

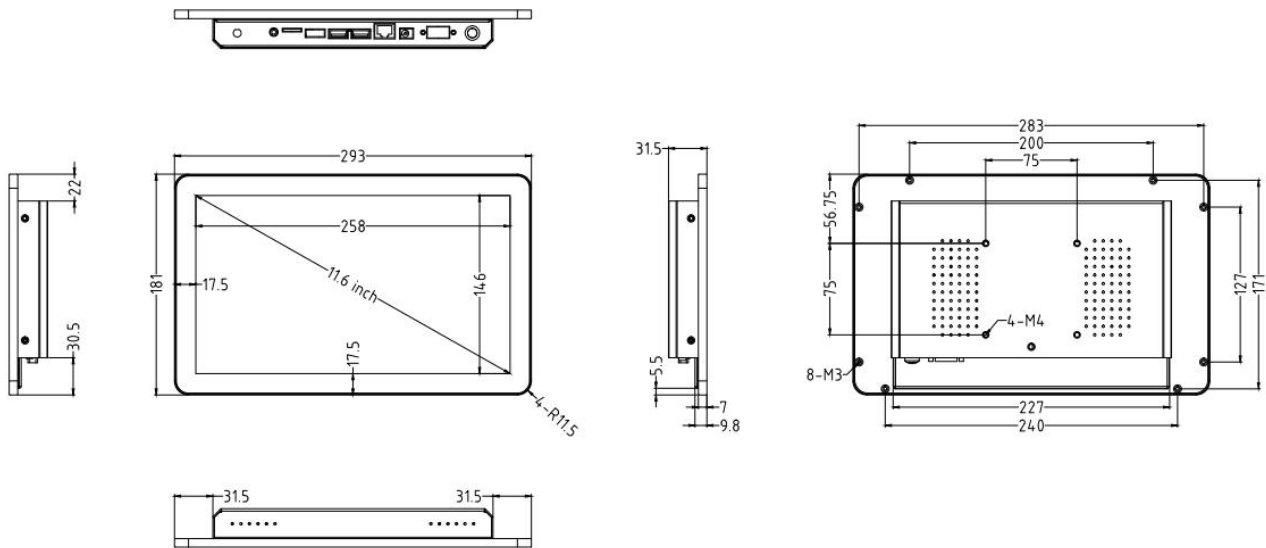
Wall Mount  
Brackets

## 4、 Mechanical Parameters

Size	11.6"
Display size	258 * 146 mm (16: 9)
Machine size (W * H *T)	293×181×31.5mm
Package size (W * H *T)	450×283×83mm
Mounting bracket	Wall mounted
VESA hole	75×75 mm
Wall screw specifications	M4
Net weight	1.19 KG
G.W (packaging)	2.34KG



## 5、 Product Pictures



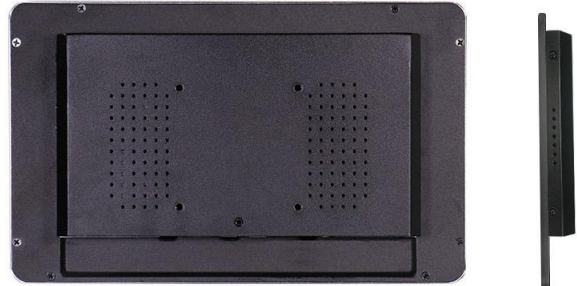
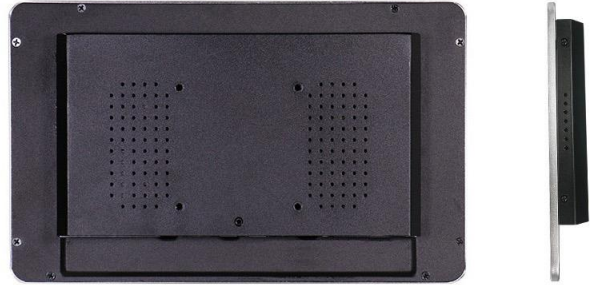
### 5.1 Overall Pictures



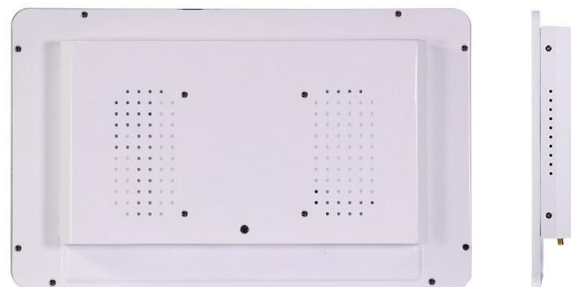


## 5.2 Color

Black-silver



White-silver





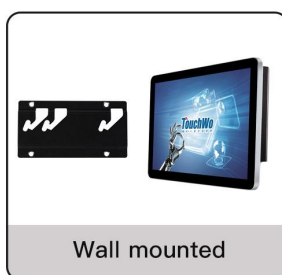


## 5.3 Details



## 5.4 Installations

Standard: Two options





## 6. Warning

1. This product is a precision electronic device, the front is IP65, and the overall protection level is IPX3, so care should be taken to avoid water splashing and rain;
2. Do not place the equipment in a humid environment. Outdoor equipment needs to be equipped with a moisture-proof cover. When it rains and dew condensation, it needs to be protected to prevent water mist from entering the machine and the glass from becoming moldy. Wet use environment will accelerate the rapid aging of electronic components, thereby reducing the service life of this product and causing moisture damage to components;
3. Do not place the device in an environment with strong ultraviolet rays and direct sunlight for a long time. When the temperature is higher than 50°C, ultraviolet rays and high temperature irradiate the screen will accelerate the deflection of liquid crystal molecules, and the screen will accelerate aging. When the outdoor temperature is higher than 50°C, move it indoors or perform shading treatment;
4. The brightness of the product is not less than 250cd/m<sup>2</sup>. In the case of high ambient brightness, the screen display will not be clear. Please avoid placing it outdoors when the sun is strong;
5. When the temperature is lower than 0°C, the screen may not work properly due to the influence of the deflection of the liquid crystal molecules. It is not recommended to use it when the temperature is lower than 0°C;