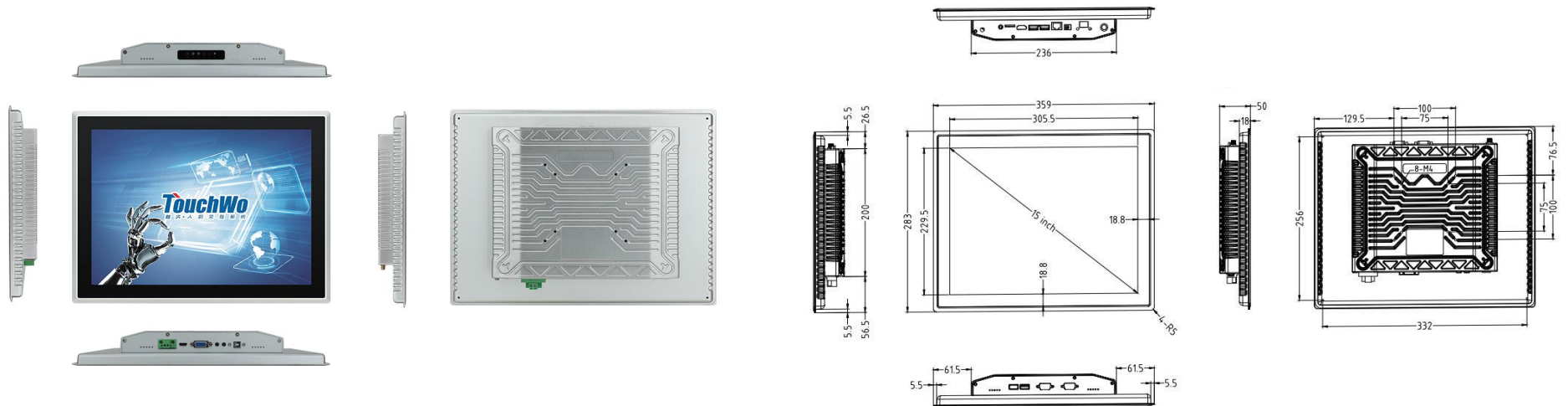


TouchWo® 15" Touch Screen Monitor

Model : DM15F

Views & Dimensions



Features

- **24/7 Commercial Use**
 - Industrial-grade Power Supply
 - 50,000-hour extended life LCD display
- **Wall mounted/desktop stand/embedded etc**
- **Aluminum structural design**
 - Full aluminum alloy frame
 - Efficient heat dissipation
- **Surface IP65 waterproof**

CE FC RoHS

Tech Specs

LCD Panel	Screen diagonal	15inch	Touch technology	PCAP
	Physical resolution	1024*768	Response time	<5ms
	Aspect ratio	4:3	Touch points	10 points standard
	Display active screen size (mm)	305.5*229.5 mm	Touch effective recognition	>1.5mm
	Colours displayed	16.7M , 72% NTSC	Scanning Frequency	200Hz
	Brightness (cd/m2)	≥350cd/m2	Scanning accuracy	4096 * 4096
	Contrast	≥ 1000: 1	Working Current/Voltage	180Ma/DC+5V±5%
	Visual Angle H/V (°)	89/89/89/89 (Typ.)(CR≥10)	Surface Hardness	Mohs class 7 explosion-proof glass
	Backlight	WLED		
	Refrash Rate	60 Hz		
Backlight Lifetime (hours)	LED 50000			
Power supply parameters	Power Input	100-240V AC 50/60Hz	Manual	* 1
	Power Output	DC 12V3A	Snap	* 4
	Standby power consumption	≤0.5W	Power Adapter&cable	* 1
	Overall power consumption	<20W	HDMI/USB Cable	* 1

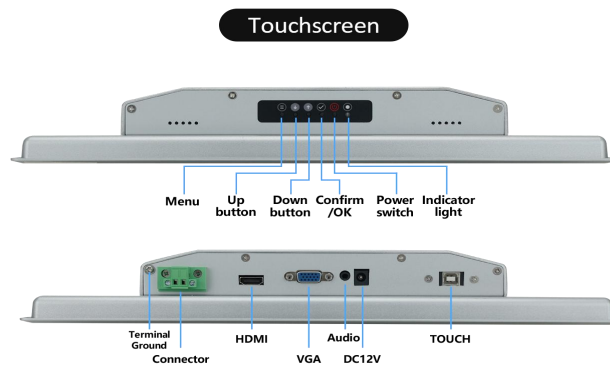
Included in the Delivery

Operation Environment

Operation Temperature	0~50℃	Machine(mm)	359(W)*283(H)*50(T)
Operation Humidity	10% - 80%	Embedded opening size(mm)	349*273
Storage Temperature	-5℃-60℃	Net weight	3.85KG
Storage Humidity	10% - 85%	Gross weight	5.4KG
EMC	CE/FCC Class B	Mounting bracket	Embedded/Wall mounted

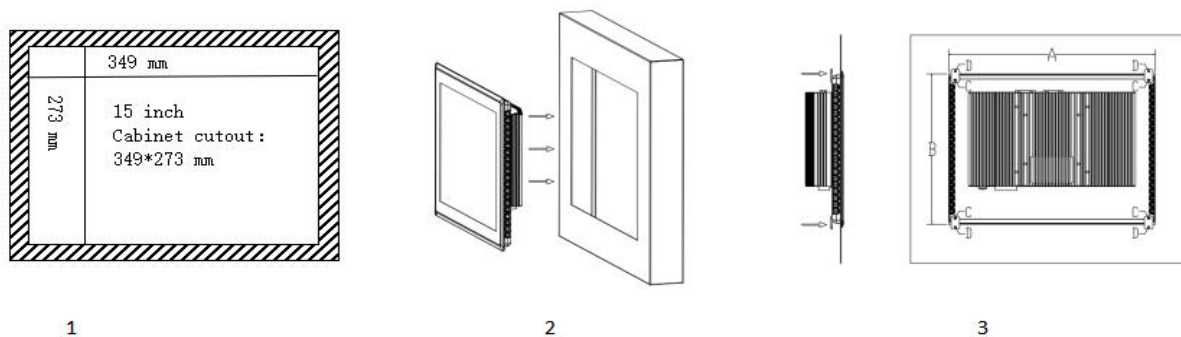
Dimension

External Connectors



DC2.1 In	2.1mm DC12V*1/2P Phoenix Terminal*1	Audio	* 1	VGA	*1	Earphone Output	*1
USB-B	* 1	HDMI input	* 1	DVI input	*1		

Installation Diagram



- Step 1: Open the holes according to the size as 1
- Step 2: Push machine from the outside to the inside embedded, as shown in 2
- Step 3: Fix the card in the back shell C screw holes, use a screwdriver to tighten the screws at D, the installation is complete, as shown in 3

Use Case

