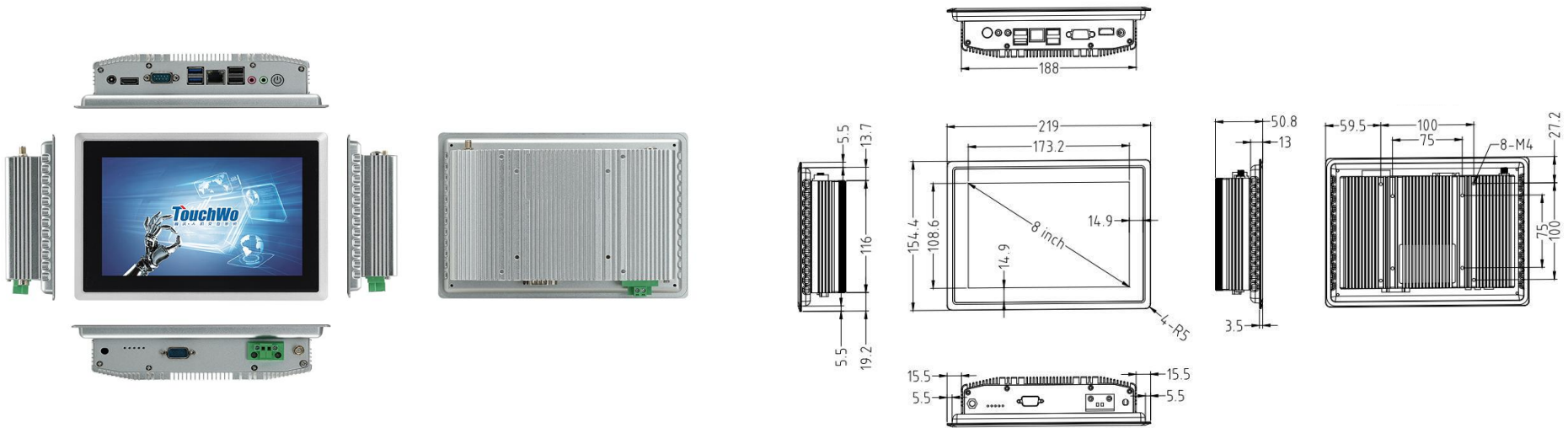


TouchWo® 8" Touch Pc

Model : DM080WF

Views & Dimensions



Features

- 24/7 Commercial Use

Industrial-grade Power Supply

15,000-hour extended life LCD display

- Wall mounted/desktop stand/embedded etc

- Stylish Appearance

Full aluminum alloy frame

Efficient heat dissipation

- Surface IP65 waterproof

CE FC RoHS

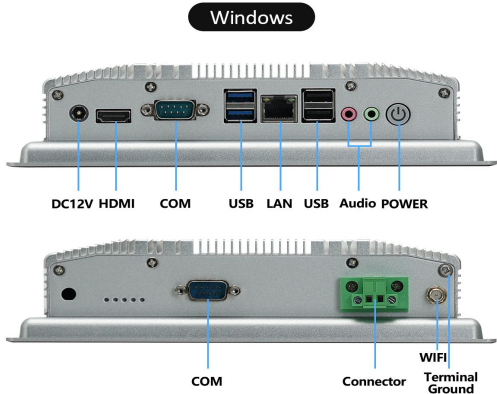
Tech Specs

	LCD Panel (Standard)	LCD Panel (Industrial)		
Screen diagonal	8inch		Touch technology	PCAP
Physical resolution	1280*800		Response time	<5ms
Aspect ratio	4:3		Touch points	10 points standard
Display active screen size (mm)	173.2 (W) *108.6 (H) mm		Touch effective recognition	>1.5mm
LCD Panel Refrash Rate	60 Hz		Touch Panel Scanning Frequency	200Hz
Brightness (cd/m2)	≥250cd/m2	≥350cd/m2	Scanning accuracy	4096 * 4096
Contrast	≥ 800: 1	≥ 900: 1	Working Current/Voltage	180Ma/DC+5V±5%
Colours displayed	16.7M , 52% (CIE1931)	16.7M(8bits + Hi-FRC)	Surface Hardness	Mohs class 7 explosion-proof glass
Backlight Lifetime (hours)	LED 15000	LED 30000		
Operation Temperature	0~50°C	-20~70°C	Machine(mm)	219 (W)*154.4(H)*50.8(T)
Operation Humidity	10% - 80%		Embedded opening size(mm)	209(W)*144.4(H)
Operation Environment Storage Temperature	-5°C-60°C		Dimension Net weight	1.55 KG
Storage Humidity	10% - 85%		Gross weight	3.10KG
EMC	CE/FCC Class B		Mounting bracket	Embedded/Wall mounted

PC System- Windows	CPU	Intel Celeron® N5095	Intel® Core™ i5
	Graphic GPU	Intel® UHD Graphics	Intel® Iris® Plus Graphics 645
	Audio	HD Audio: ALC269	HD Audio: ALC269
	Memory	DDR4-2666MHz-SODIMM-4G	DDR4-2666MHz-SODIMM-8G
	Storage	mSATA-128GB	mSATA-256GB
	Network	10/100/1000M RJ45, 802.11a/b /g/n/ac Wifi	10/100/1000M RJ45, 802.11a/b/ g/n/ac Wifi
	Pre-installed OS	Windows 10 /11/Linux	Windows 10 /11/Linux

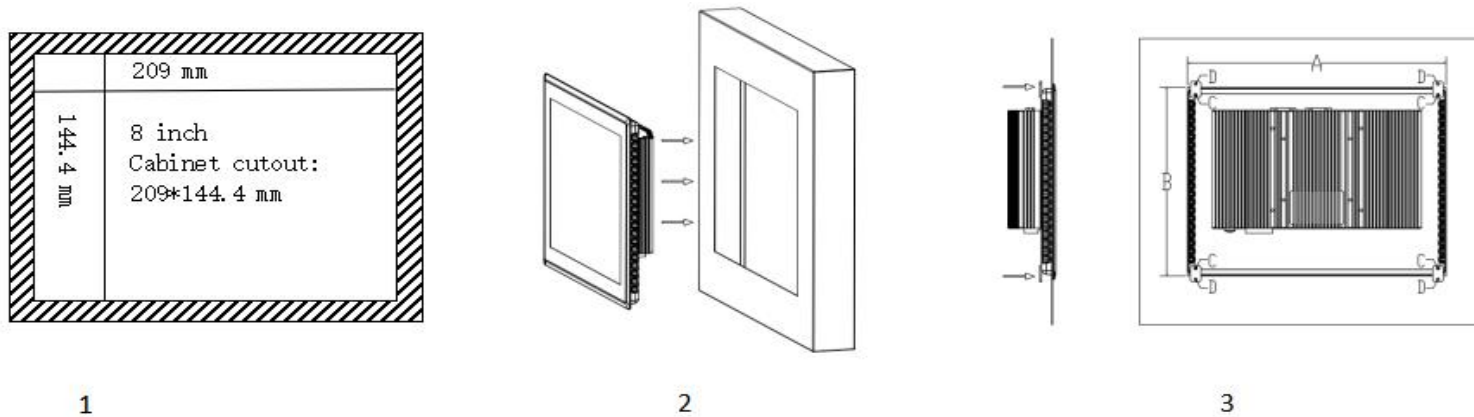
Power supply parameters	Power Input	110-240V AC 50/60Hz	Manual	* 1
	Power Output	DC 12V5A	Included in the Delivery	Snap * 4
	Standby power consumption	≤0.5W		WIFI antenna * 1
	Overall power consumption	<50W		Power Adapter&cable * 1

External Connectors



RJ45 Ports	* 1	Audio I/O	* 1	USB	* 4	WIFI	* 1
DC In	2.5mm DC12V*1	HDMI out	* 1	Earphone/MIC interface	*1/1	COM	2 * RS-232(1 * RS-485 optional)

Installation Diagram



Step 1:Open the holes according to the size as 1

Step 2:Push machine from the outside to the inside embedded,as shown in 2

Step 3:Fix the card in the back shell C screw holes,use a screwdriver to tighten the screws at D,the installation is complete,as shown in 3

Use Case

