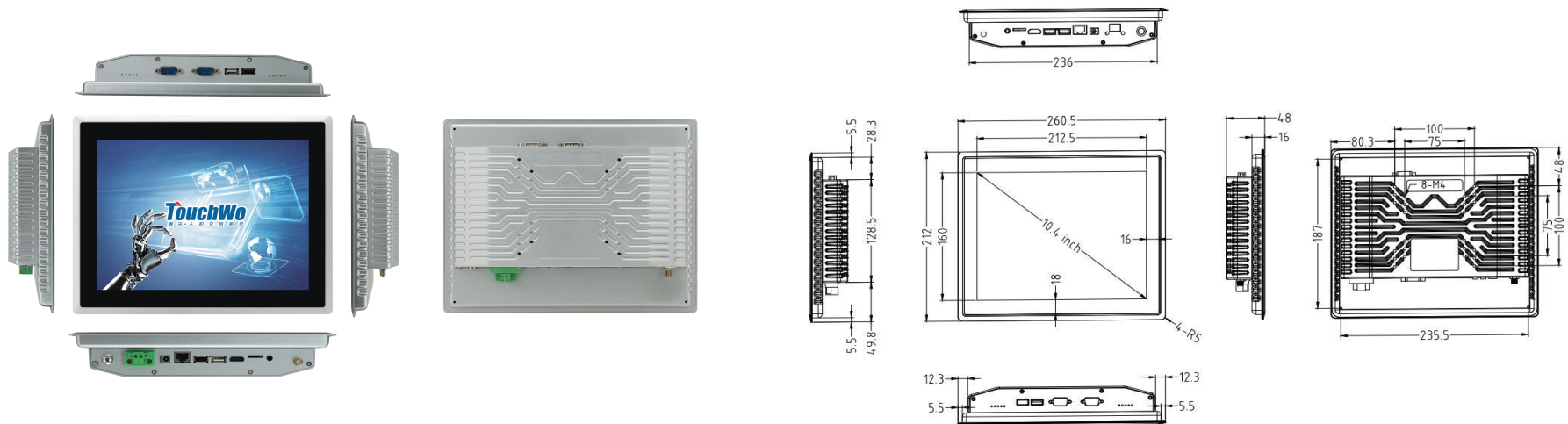


TouchWo®

10.4" Android Touch Pc

Model : DM104F

Views & Dimensions



Features

- 24/7 Commercial Use

Industrial-grade Power Supply

30,000-hour extended life LCD display

- Wall mounted/desktop stand/embedded etc

- Stylish Appearance

Full aluminum alloy frame

Efficient heat dissipation

- Surface IP65 waterproof

CE FC RoHS

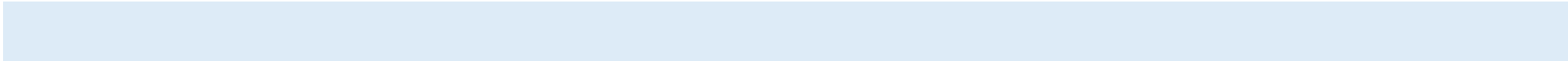
Tech Specs

LCD Panel	Screen diagonal	10.4inch	Touch technology	PCAP
	Physical resolution	1024*768	Response time	<5ms
	Aspect ratio	4:3	Touch points	10 points standard
	Display active screen size (mm)	212.5*160 mm	Touch effective recognition	>1.5mm
	Colours displayed	16.7M	Scanning Frequency	200Hz
	Brightness (cd/m2)	≥250cd/m2	Scanning accuracy	4096 * 4096
	Contrast	≥ 1000: 1	Working Current/Voltage	180Ma/DC+5V±5%
	Visual Angle H/V (°)	85/85/85/85(Typ.)(CR≥10)	Surface Hardness	Mohs class 7 explosion-proof glass
	Backlight	WLED		
	Refrash Rate	60 Hz		
Backlight Lifetime (hours)	LED 30000			

Operation Environment	Operation Temperature	0~50℃	Machine(mm)	260.5(W)*212(H)*47.8(T)
	Operation Humidity	10% - 80%	Embedded opening size(mm)	250.5(W)*202(H)
	Storage Temperature	-5℃-60℃	Net weight	1.69 KG

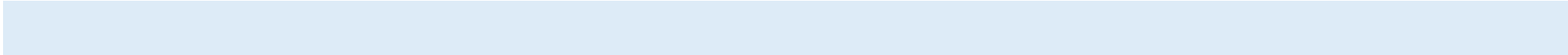
Dimension

Storage Humidity	10% - 85%	Gross weight	2.31KG
EMC	CE/FCC Class B	Mounting bracket	Embedded/Wall mounted



Android System

CPU	Rockchip RK3568	Rockchip RK3288	Rockchip RK3588
Graphic GPU	ARM G52 2EE	Mali-T864	Mali-G610
Audio	-	-	-
Memory	2G (4G optional)	2G (4G optional)	4G (8G optional)
Storage	32G eMMC	16G eMMC	64G/128G eMMC
Network	10/100M RJ45, 802.11 a/b/g/n/ac Wifi	100/1000M RJ45, 802.11 a/b/g/n/ac Wifi	100/1000M RJ45, 802.11 a/b/g/n/ac Wifi
Pre-installed OS	Android 11	Android 9	Android 12

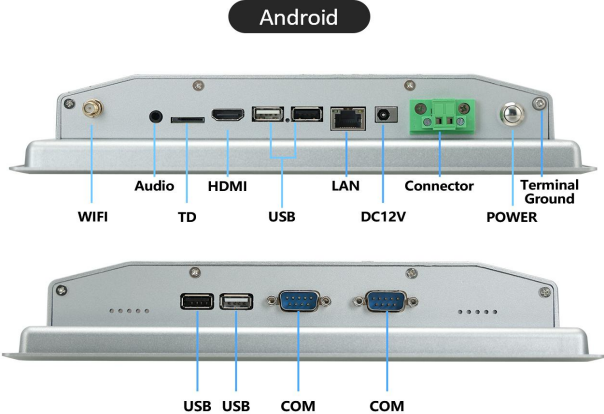


Power supply parameters

Power Input	110-240V AC 50/60Hz	Manual	* 1
Power Output	DC 12V3A	Snap	* 4
Standby power consumption	≤0.5W	WIFI antenna	* 1
Overall power consumption	<20W	Power Adapter&cable	* 1

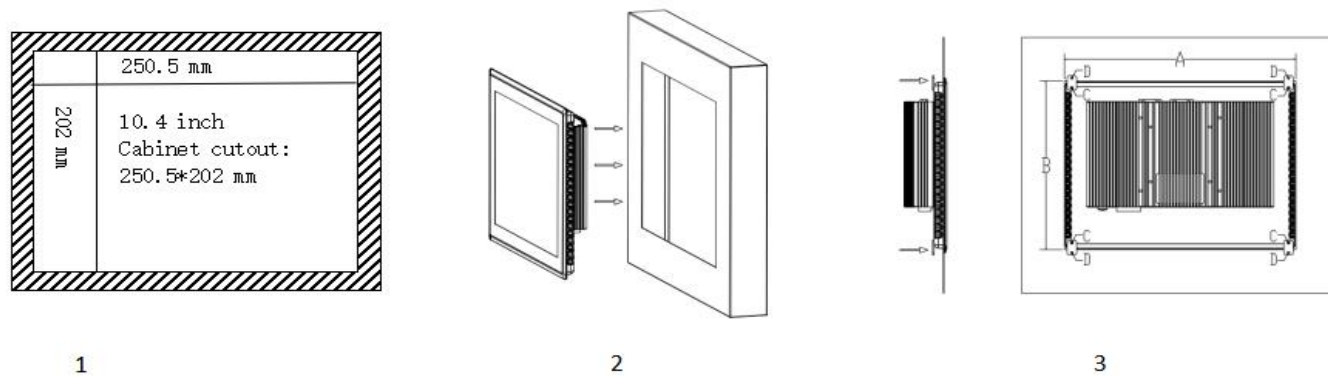
Included in the Delivery

External Connectors



RJ45 Ports	* 1	Earphone	* 1	USB (with OTG)	* 4	COM	TTL(232/485 options)
DC In	2.1mm DC12V*1/2P Phoenix Terminal*1	HDMI out	* 1	WIFI	* 1		

Installation Diagram



Step 1: Open the holes according to the size as 1

Step 2: Push machine from the outside to the inside embedded, as shown in 2

Step 3: Fix the card in the back shell C screw holes, use a screwdriver to tighten the screws at D, the installation is complete, as shown in 3

Use Case

