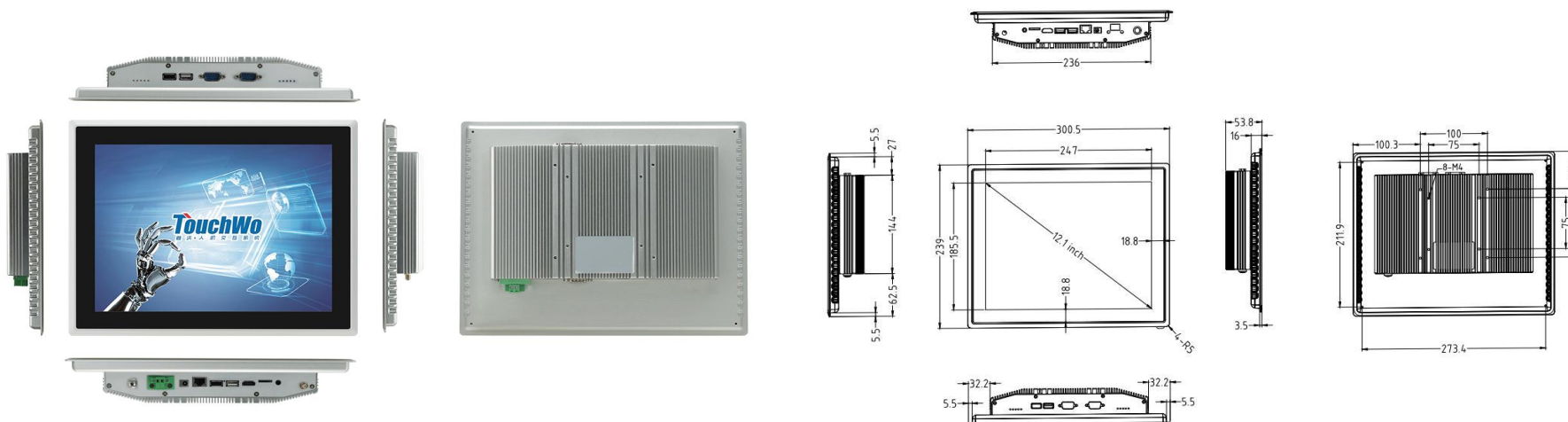


# TouchWo® 12.1" Android Touch Pc

Model : DM121F

## Views & Dimensions



## Features

- **24/7 Commercial Use**

Industrial-grade Power Supply

30,000-hour extended life LCD display

- **Wall mounted/desktop stand/embedded etc**

- **Stylish Appearance**

Full aluminum alloy frame

Efficient heat dissipation

- **Surface IP65 waterproof**

CE FC RoHS

## Tech Specs

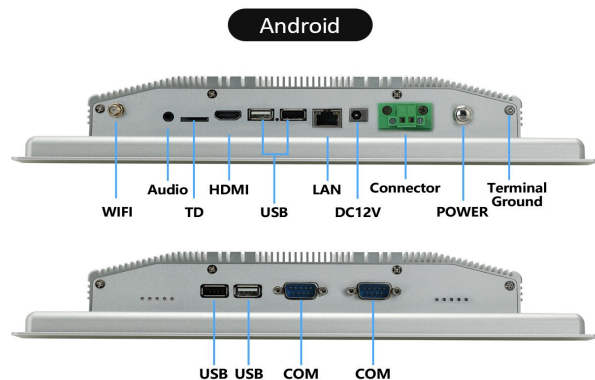
<b>LCD Panel</b>	<b>Screen diagonal</b>	12.1inch	<b>Touch technology</b>	PCAP
	<b>Physical resolution</b>	1024*768	<b>Response time</b>	<5ms
	<b>Aspect ratio</b>	4:3	<b>Touch points</b>	10 points standard
	<b>Display active screen size (mm)</b>	212.5*160 mm	<b>Touch effective recognition</b>	>1.5mm
	<b>Colours displayed</b>	16.7M , 72% NTSC	<b>Scanning Frequency</b>	200Hz
	<b>Brightness (cd/m2)</b>	≥250cd/m2	<b>Scanning accuracy</b>	4096 * 4096
	<b>Contrast</b>	≥ 1000: 1	<b>Working Current/Voltage</b>	180Ma/DC+5V±5%
	<b>Visual Angle H/V (°)</b>	85/85/85/85 (Typ.)(CR≥10)	<b>Surface Hardness</b>	Mohs class 7 explosion-proof glass
	<b>Backlight Lifetime (hours)</b>	LED 50000		
	<b>Refrash Rate</b>	60 Hz		
<b>Backlight Lifetime (hours)</b>	LED 50000			

<b>Power supply parameters</b>	<b>Power Input</b>	110-240V AC 50/60Hz	<b>Included in the Delivery</b>	<b>Manual</b>	* 1
	<b>Power Output</b>	DC 12V3A		<b>Snap</b>	* 4
	<b>Standby power consumption</b>	≤0.5W		<b>WIFI antenna</b>	* 1
	<b>Overall power consumption</b>	<24W		<b>Power Adapter&amp;cable</b>	* 1

<b>Operation Environment</b>	<b>Operation Temperature</b>	0~50℃	<b>Dimension</b>	<b>Machine(mm)</b>	300.5 (W)*239(H)*53.8(T)
	<b>Operation Humidity</b>	10% - 80%		<b>Embedded opening size(mm)</b>	290.5(W)*229(H)
	<b>Storage Temperature</b>	-5℃-60℃		<b>Net weight</b>	2.37 KG
	<b>Storage Humidity</b>	10% - 85%		<b>Gross weight</b>	2.95KG
	<b>EMC</b>	CE/FCC Class B		<b>Mounting bracket</b>	Embedded/Wall mounted

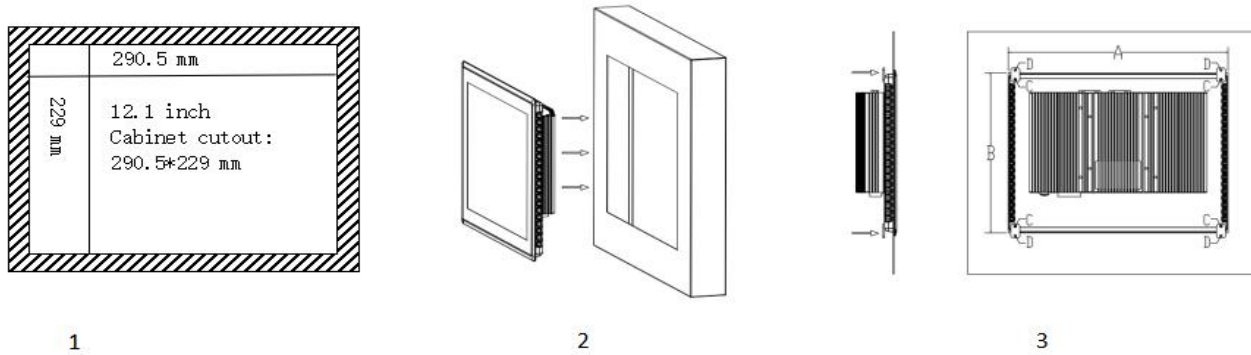
<b>Android System</b>	<b>CPU</b>	Rockchip RK3568	Rockchip RK3288	Rockchip RK3588
	<b>Graphic GPU</b>	ARM G52 2EE	Mali-T864	Mali-G610
	<b>Audio</b>	-	-	-
	<b>Memory</b>	2G (4G optional)	2G (4G optional)	4G (8G optional)
	<b>Storage</b>	32G eMMC	16G eMMC	64G/128G eMMC
	<b>Network</b>	10/100M RJ45, 802.11 a/b/g/n/ac Wifi	100/1000M RJ45, 802.11 a/b/g/n/ac Wifi	100/1000M RJ45, 802.11 a/b/g/n/ac Wifi
	<b>Pre-installed OS</b>	Android 11	Android 9	Android 12

# External Connectors



<b>RJ45 Ports</b>	* 1	<b>Earphone</b>	* 1	<b>USB ( with OTG)</b>	* 4	<b>COM</b>	<b>TTL(232/485 options)</b>
<b>DC In</b>	2.1mm DC12V*1/2P Phoenix Terminal*1	<b>HDMI out</b>	* 1	<b>WIFI</b>	* 1		

## Installation Diagram



Step 1:Open the holes according to the size as 1

Step 2:Push machine from the outside to the inside embedded, as shown in 2

Step 3:Fix the card in the back shell C screw holes,use a screwdriver to tighten the screws

at D, the installation is complete,as shown in 3

## Use Case

