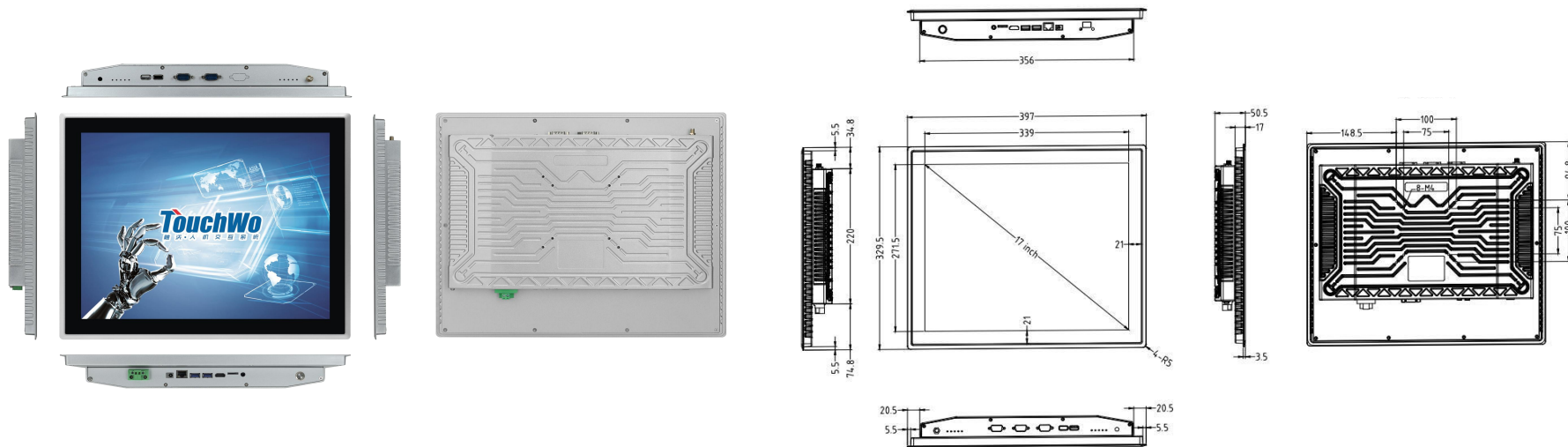


# TouchWo®

## 17" Android Touch Pc

Model : DM17F

### Views & Dimensions



### Features

- **24/7 Commercial Use**

Industrial-grade Power Supply

30,000-hour extended life LCD display

- **Wall mounted/desktop stand/embedded etc**

- **Stylish Appearance**

Full aluminum alloy frame

Efficient heat dissipation

- **Surface IP65 waterproof**



## Tech Specs

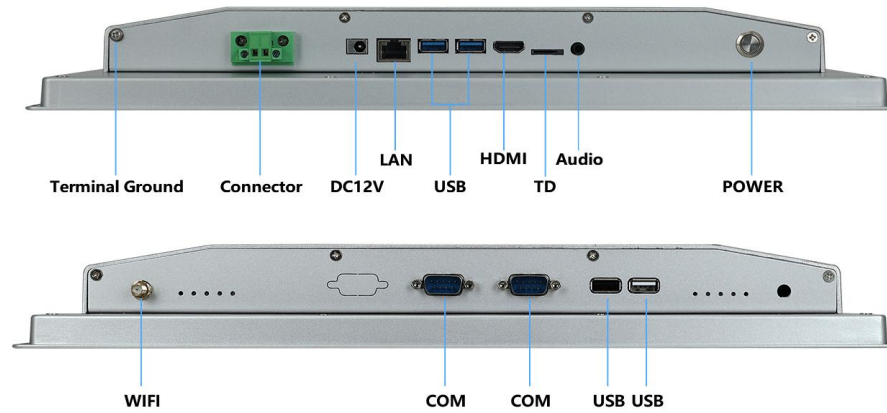
	LCD Panel (Standard)	LCD Panel (Industrial)		
<b>Screen diagonal</b>	17inch		<b>Touch technology</b>	PCAP
<b>Physical resolution</b>	1280*1024		<b>Response time</b>	<5ms
<b>Aspect ratio</b>	4:3		<b>Touch points</b>	10 points standard
<b>Display active screen size (mm)</b>	339*275.5 mm		<b>Touch effective recognition</b>	>1.5mm
<b>Refrash Rate</b>	60 Hz		<b>Touch Panel Scanning Frequency</b>	200Hz
<b>Brightness (cd/m2)</b>	≥250cd/m2	≥350cd/m2	<b>Scanning accuracy</b>	4096 * 4096
<b>Contrast</b>	≥ 1000: 1		<b>Working Current/Voltage</b>	180Ma/DC+5V±5%
<b>Colours displayed</b>	16.7M	16.7M,72% NTSC	<b>Surface Hardness</b>	Mohs class 7 explosion-proof glass
<b>Backlight Lifetime (hours)</b>	LED 30000	LED 30000		
<b>Visual Angle H/V (°)</b>	89/89/89/89 (Typ.)(CR≥10)			
<b>Power Input</b>	110-240V AC 50/60Hz		<b>Manual</b>	* 1
<b>Power Output</b>	DC 12V3A		<b>Snap</b>	* 4
<b>Standby power consumption</b>	≤0.5W		<b>WIFI antenna</b>	* 1
<b>Overall power consumption</b>	<30W		<b>Power Adapter&amp;cable</b>	* 1

<b>Operation Environment</b>	<b>Operation Temperature</b>	0~50℃	<b>Dimension</b>	<b>Machine(cm)</b>	39.7 (W)*32.95 (H)*5.05(T)
	<b>Operation Humidity</b>	10% - 80%		<b>Embedded opening size(cm)</b>	38.7*31.95
	<b>Storage Temperature</b>	-5℃-60℃		<b>Net weight</b>	4.18 KG
	<b>Storage Humidity</b>	10% - 85%		<b>Gross weight</b>	4.89KG
	<b>EMC</b>	CE/FCC Class B		<b>Mounting bracket</b>	Embedded/Wall mounted

<b>Android System</b>	<b>CPU</b>	Rockchip RK3568	Rockchip RK3288	Rockchip RK3588
	<b>Graphic GPU</b>	ARM G52 2EE	Mali-T864	Mali-G610
	<b>Audio</b>	-	-	-
	<b>Memory</b>	2G (4G optional)	2G (4G optional)	4G (8G optional)
	<b>Storage</b>	32G eMMC	16G eMMC	64G/128G eMMC
	<b>Network</b>	10/100M RJ45, 802.11 a/b/g/n/ac Wifi	100/1000M RJ45, 802.11 a/b/g/n/ac Wifi	100/1000M RJ45,802.11 a/b/g/n/ac Wifi
	<b>Pre-installed OS</b>	Android 11	Android 9	Android 12

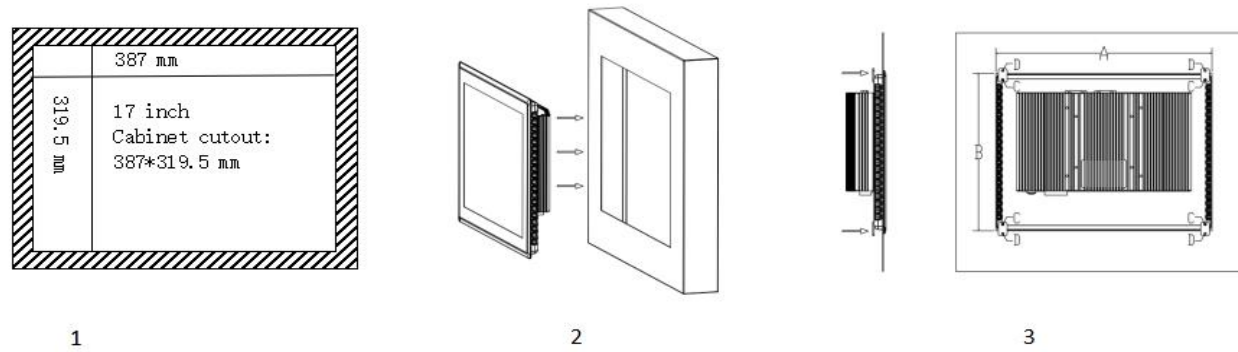
# External Connectors

## Android



<b>RJ45 Ports</b>	* 1	<b>Earphone</b>	* 1	<b>USB ( with OTG)</b>	* 4	<b>COM</b>	TTL(232/485 options)
<b>DC In</b>	2.1mm DC12V*1/2P Phoenix Terminal*1	<b>HDMI out</b>	* 1	<b>WIFI</b>	* 1		

## Installation Diagram



Step 1:Open the holes according to the size as 1

Step 2:Push machine from the outside to the inside embedded,as shown in 2

Step 3:Fix the card in the back shell C screw holes,use a screwdriver to tighten the screws at D,the installation is complete,as shown in 3

