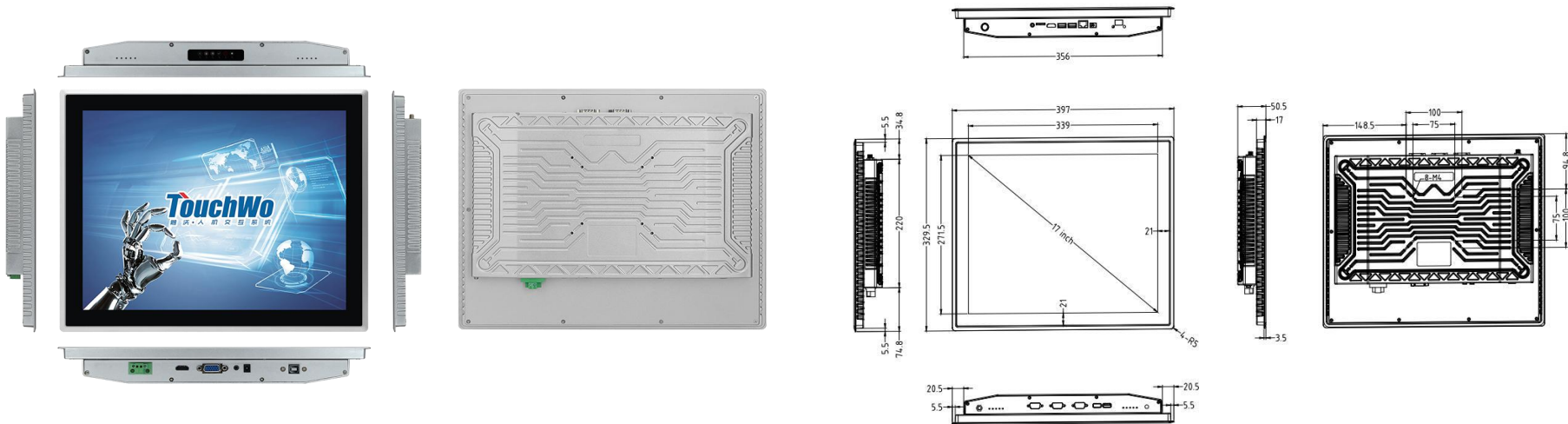


TouchWo® 17" Touch Screen Monitor

Model : DM17F

Views & Dimensions



Features

- **24/7 Commercial Use**

Industrial-grade Power Supply

30,000-hour extended life LCD display

- **Wall mounted/desktop stand/embedded etc**

- **Stylish Appearance**

Full aluminum alloy frame

Efficient heat dissipation

- **Surface IP65 waterproof**

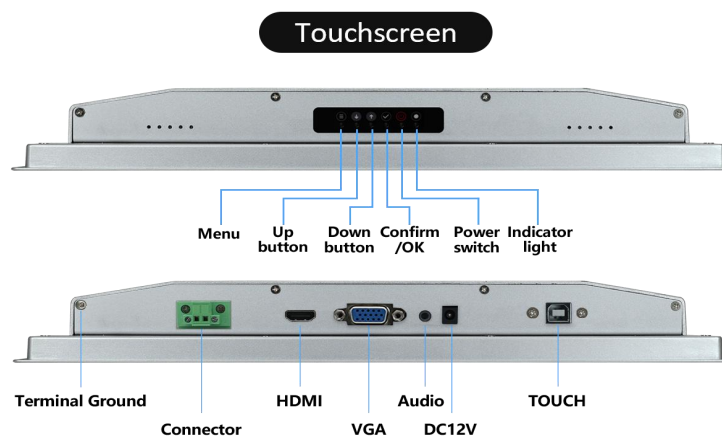
CE FC RoHS

Operation Environment

Operation Temperature	0~50℃	Machine(mm)	397 (W)*329.5 (H)*50.3(T)
Operation Humidity	10% - 80%	Embedded opening size(mm)	387*319.5 mm
Storage Temperature	-5℃-60℃	Net weight	4.17 KG
Storage Humidity	10% - 85%	Gross weight	5.71KG
EMC	CE/FCC Class B	Mounting bracket	Embedded/Wall mounted

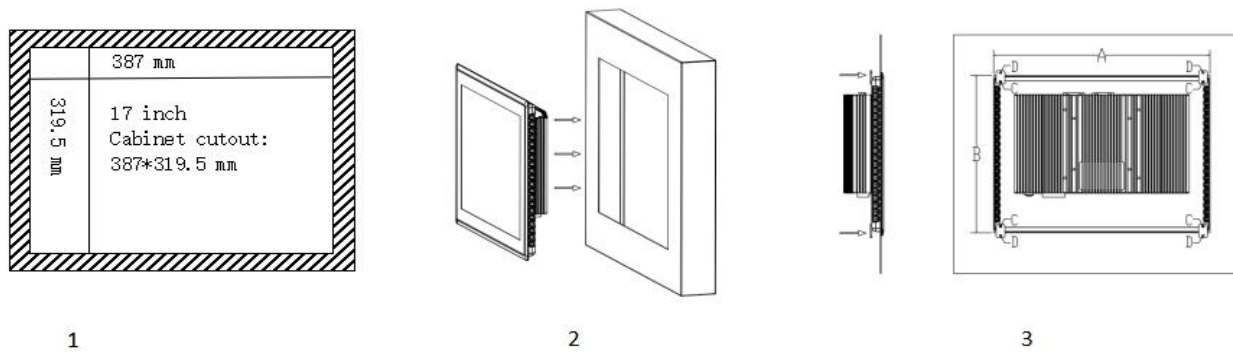
Dimension

External Connectors



DC2.1 In	2.1mm DC12V*1/2P Phoenix Terminal*1	Audio	* 1	VGA	*1	Earphone Output	*1
USB-B	* 1	HDMI input	* 1	DVI input	*1		

Installation Diagram



Step 1:Open the holes according to the size as 1

Step 2:Push machine from the outside to the inside embedded,as shown in 2

Step 3:Fix the card in the back shell C screw holes,use a screwdriver to tighten the screws at D, the installation is complete,as shown in 3

Use Case

