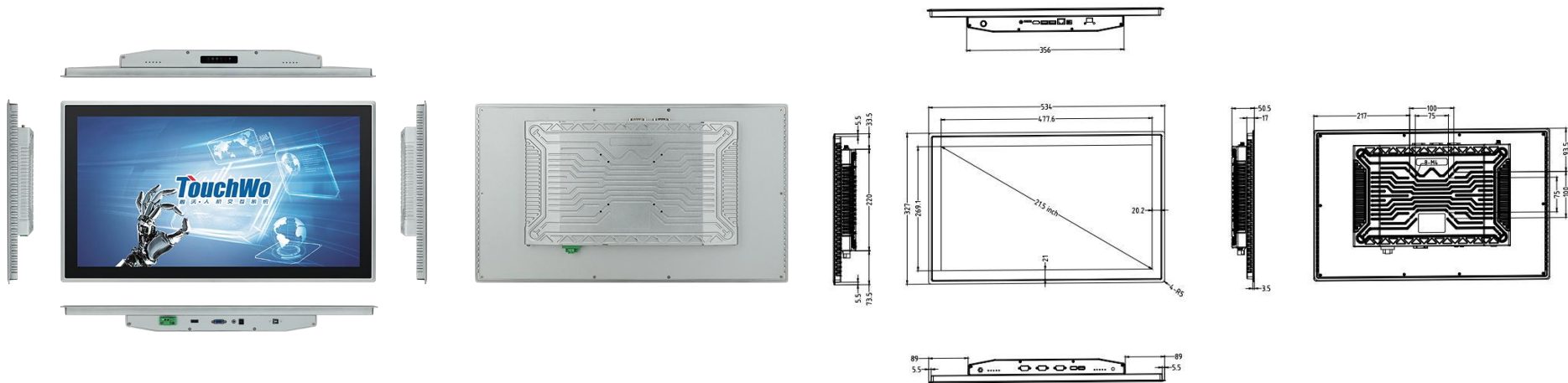


TouchWo® 21.5" Touch Screen Monitor

Model : DM215F

Views & Dimensions



Features

- **24/7 Commercial Use**

Industrial-grade Power Supply

30,000-hour extended life LCD display

- **Wall mounted/desktop stand/embedded etc**

- **Stylish Appearance**

Full aluminum alloy frame

Efficient heat dissipation

- **Surface IP65 waterproof**

CE FC RoHS

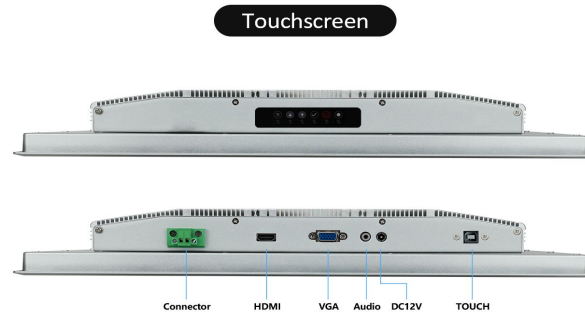
Tech Specs

| | LCD Panel (Standard) | LCD Panel (Industrial) | | | |
|--------------------------------|--|---------------------------|---------------------------------|--|------------------------------------|
| LCD Panel | Screen diagonal | 21.5inch | | Touch technology | PCAP |
| | Physical resolution | 1920*1080 | | Response time | <5ms |
| | Aspect ratio | 16:9 | | Touch points | 10 points standard |
| | Display active screen size (mm) | 477.6*269.1 mm | | Touch effective recognition | >1.5mm |
| | Refrash Rate | 60 Hz | | Touch Panel Scanning Frequency | 200Hz |
| | Brightness (cd/m2) | ≥250cd/m2 | ≥250cd/m2 | Scanning accuracy | 4096 * 4096 |
| | Contrast | ≥ 3000: 1 | ≥3000: 1 | Working Current/Voltage | 180Ma/DC+5V±5% |
| | Colours displayed | 16.7M | 16.7M | Surface Hardness | Mohs class 7 explosion-proof glass |
| | Backlight Lifetime (hours) | LED 30000 | LED 30000 | | |
| Visual Angle H/V (°) | 89/89/89/89 (Typ.)(CR≥10) | | | | |
| Power supply parameters | Power Input | 100-240V AC 50/60Hz | | Manual | * 1 |
| | Power Output | DC 12V3A | | Snap | * 4 |
| | Standby power consumption | ≤0.5W | | Power Adapter&cable | * 1 |
| | Overall power consumption | <20W | | HDMI/USB Cable | * 1 |
| | | | Included in the Delivery | | |

| | | | | |
|------------------------------|------------------------------|------------------|----------------------------------|-----------------------|
| Operation Environment | Operation Temperature | 0~50℃ -20~85℃ | Machine(mm) | 534(W)*327(H)*50.3(T) |
| | Operation Humidity | 10% - 80% | Embedded opening size(mm) | 525(W)*318.5(H) |
| | Storage Temperature | -5℃-60℃ | Net weight | 5.54 KG |
| | Storage Humidity | 10% - 85% | Gross weight | 7.60KG |
| | EMC | CE/FCC Class B | Mounting bracket | Embedded/Wall mounted |

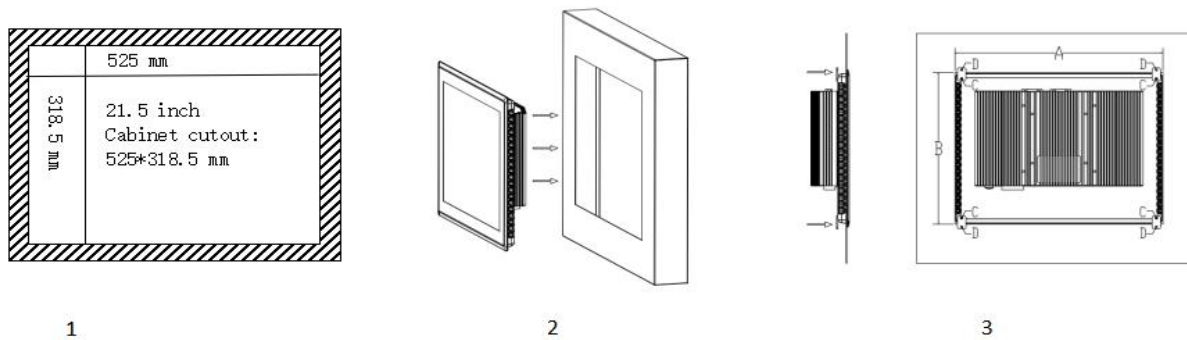
Dimension

External Connectors



| | | | | | | | |
|-----------------|-------------------------------------|-------------------|-----|------------------|----|------------------------|----|
| DC2.1 In | 2.1mm DC12V*1/2P Phoenix Terminal*1 | Audio | * 1 | VGA | *1 | Earphone Output | *1 |
| USB-B | * 1 | HDMI input | * 1 | DVI input | *1 | | |

Installation Diagram



Step 1: Open the holes according to the size as 1

Step 2: Push machine from the outside to the inside embedded, as shown in 2

Step 3: Fix the card in the back shell C screw holes, use a screwdriver to tighten the screws

at D, the installation is complete, as shown in 3

Use Case

