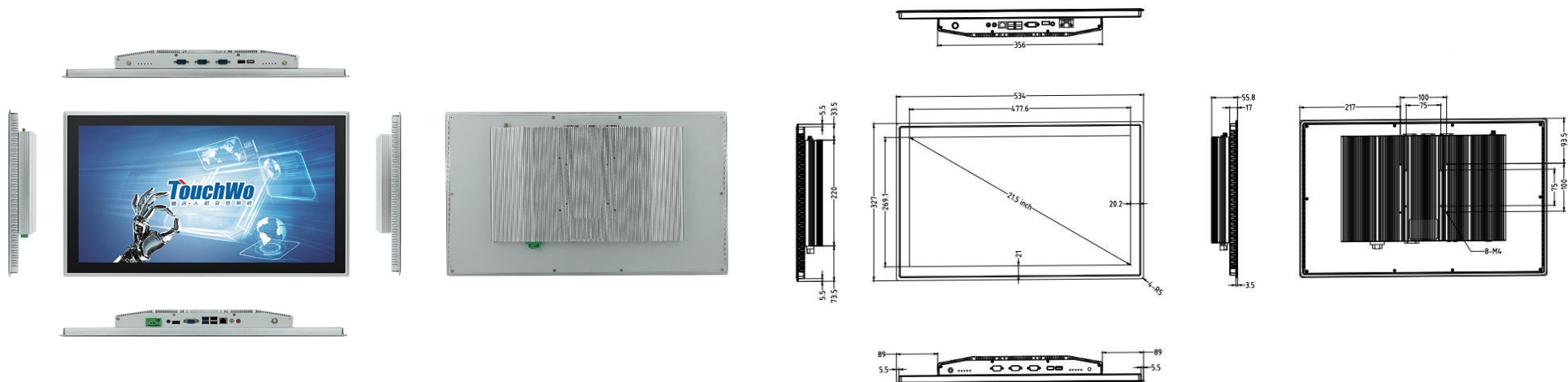


TouchWo® 21.5" Touch Pc

Model : DM215F

Views & Dimensions



Features

- **24/7 Commercial Use**

Industrial-grade Power Supply

30,000-hour extended life LCD display

- **Wall mounted/desktop stand/embedded etc**

- **Stylish Appearance**

Full aluminum alloy frame

Efficient heat dissipation

- **Surface IP65 waterproof**

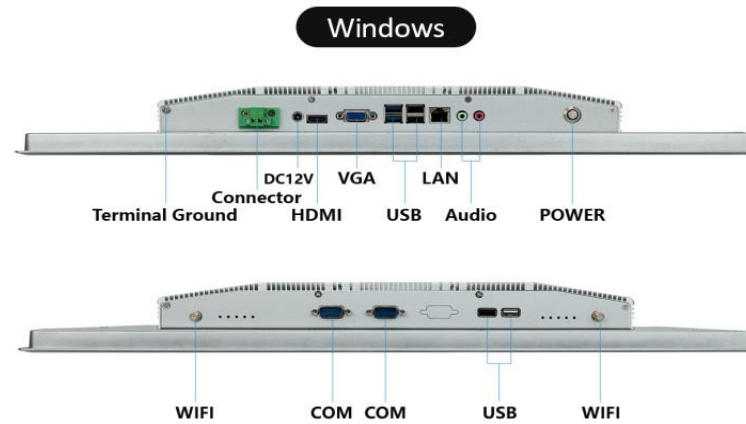
CE FC RoHS

Tech Specs

	LCD Panel (Standard)	LCD Panel (Industrial)				
LCD Panel	Screen diagonal	21.5inch		Touch technology	PCAP	
	Physical resolution	1920*1080		Response time	<5ms	
	Aspect ratio	16:9		Touch points	10 points standard	
	Display active screen size (mm)	477.6*269.1 mm		Touch effective recognition	>1.5mm	
	Refrash Rate	60 Hz		Touch Panel	Scanning Frequency	200Hz
	Brightness (cd/m2)	≥250cd/m2	≥250cd/m2		Scanning accuracy	4096 * 4096
	Contrast	≥ 3000: 1	≥3000: 1		Working Current/Voltage	180Ma/DC+5V±5%
	Colours displayed	16.7M	16.7M		Surface Hardness	Mohs class 7 explosion-proof glass
	Backlight Lifetime (hours)	LED 30000	LED 30000			
Visual Angle H/V (°)	89/89/89/89 (Typ.)(CR≥10)					
Operation Environment	Operation Temperature	0~50°C	-20~85°C	Dimension	Machine(mm)	534(W)*327(H)*55.8(T)
	Operation Humidity	10% - 80%			Embedded opening size(mm)	525(W)*318.5(H)
	Storage Temperature	-5°C-60°C			Net weight	5.55 KG
	Storage Humidity	10% - 85%			Gross weight	7.61KG

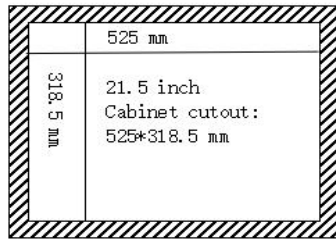
	EMC	CE/FCC Class B	Mounting bracket	Embedded/Wall mounted
PC System- Windows	CPU	Intel Celeron® J6412	Intel® Core™ i5-8Gens	Intel® Core™ i7-10Gens
	Graphic GPU	Intel® UHD Graphics	Intel® Iris® Plus Graphics 645	Intel® UHD Graphics
	Audio	HD Audio: ALC269	HD Audio: ALC269	HD Audio: ALC269
	Memory	DDR4-2666MHz-SODIMM-4G	DDR4-2666MHz-SODIMM-8G	DDR4-2666MHz-SODIMM-16G
	Storage	mSATA-128GB	mSATA-256GB	mSATA-512GB
	Network	10/100/1000M RJ45, 802.11a/b /g/n/ac Wifi	10/100/1000M RJ45, 802.11a/b/ g/n/ac Wifi	10/100/1000M RJ45, 802.11a/b/g/n/ac Wifi
	Pre-installed OS	Windows 10 /11/Linux	Windows 10 /11/Linux	Windows 10 /11/Linux
Power supply parameters	Power Input	110-240V AC 50/60Hz	Manual	* 1
	Power Output	DC 12V5A	Included in the Delivery	* 4
	Standby power consumption	≤0.5W	WIFI antenna	* 1
	Overall power consumption	<40W	Power Adapter&cable	* 1

External Connectors

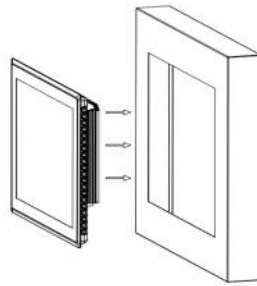


RJ45 Ports	* 1	Audio I/O	* 1	USB	* 4	WIFI	* 1
DC In	2.5mm DC12V*1	HDMI out	* 1	Earphone/MIC interface	*1/1	COM	2 * RS-232(1 * RS-485 optional)

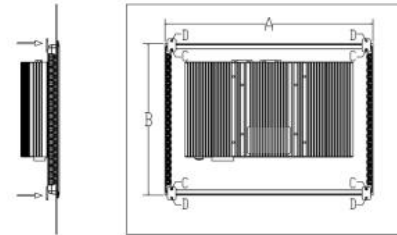
Installation Diagram



1



2



3

Step 1: Open the holes according to the size as 1

Step 2: Push machine from the outside to the inside embedded, as shown in 2

Step 3: Fix the card in the back shell C screw holes, use a screwdriver to tighten the screws

at D, the installation is complete, as shown in 3

Use Case

