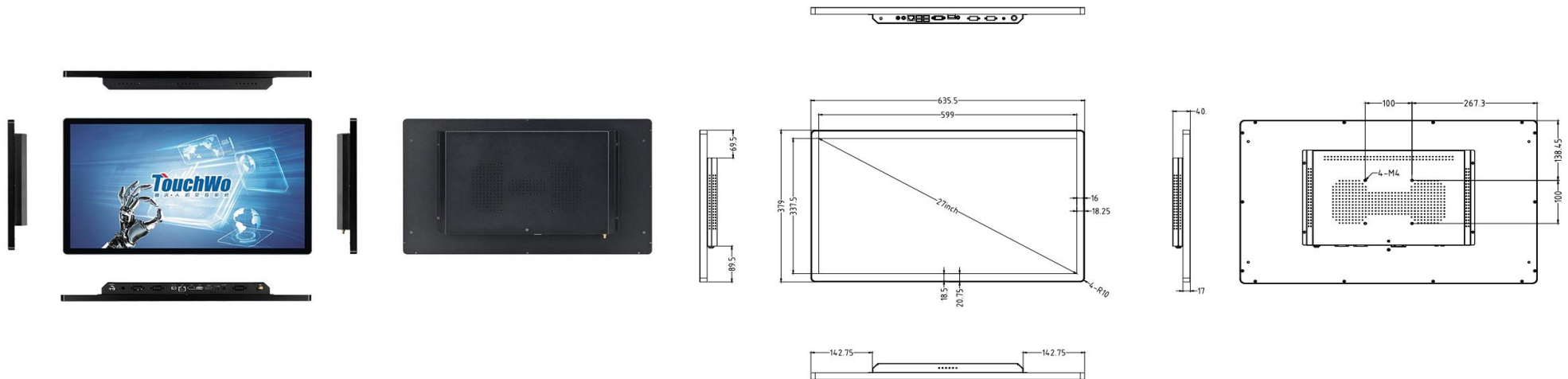


# TouchWo® 27" Android Touch PC

Model : HD27

## Views & Dimensions



## Features

- **24/7 Commercial Use**

Industrial-grade Power Supply

30,000-hour extended life LCD display

- **Wall mounted/desktop stand/embedded etc**

- **Stylish Appearance**

Industry-leading ultra-narrow screen bezel

Full aluminum alloy frame

- **Surface IP65 waterproof**

CE FC RoHS

## Tech Specs

| LCD Panel                       |                    | Touch Panel                 |                                    |
|---------------------------------|--------------------|-----------------------------|------------------------------------|
| Screen diagonal                 | 27inch             | Touch technology            | PCAP                               |
| Physical resolution             | 1920*1080          | Response time               | <5ms                               |
| Aspect ratio                    | 16:09              | Touch points                | 10 points standard                 |
| Display active screen size (mm) | 599 (W) *337.5 (H) | Touch effective recognition | >1.5mm                             |
| Colours displayed               | 16.7M              | Scanning Frequency          | 200Hz                              |
| Brightness (cd/m2)              | 300                | Scanning accuracy           | 4096 * 4096                        |
| Contrast                        | 1000:1             | Working Current/Voltage     | 180Ma/DC+5V±5%                     |
| Visual Angle H/V (°)            | 178/178            | Surface Hardness            | Mohs class 7 explosion-proof glass |
| Backlight Lifetime (hours)      | LED 30,000         |                             |                                    |
| Refresh Rate                    | 60 Hz              |                             |                                    |

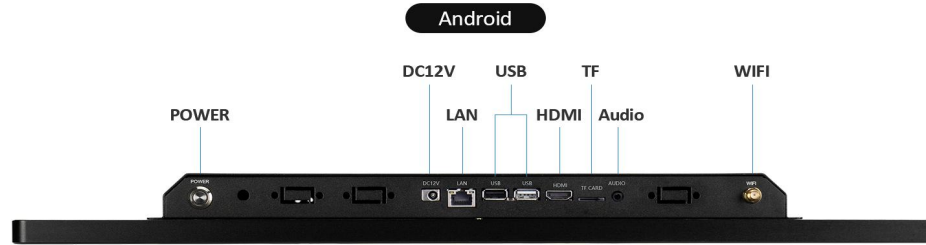
| Operation Environment |          | Dimension    |                               |
|-----------------------|----------|--------------|-------------------------------|
| Operation Temperature | 0°C-50°C | Machine(cm)  | 63.55 (W) *37.9 (H) *4.04 (T) |
| Operation Humidity    | 0% - 90% | Package(cm)  | 79 (W) * 54.5 (H) *18.5 (T)   |
| Storage Temperature   | 0°C-60°C | Net weight   | 6.5kg                         |
| Storage Humidity      | 0% - 65% | Gross weight | 10.34kg                       |

|                                 |                         |                                    |                                       |                          |
|---------------------------------|-------------------------|------------------------------------|---------------------------------------|--------------------------|
| <b>Operating System-Android</b> | <b>CPU</b>              | Rockchip RK3568                    | Rockchip RK3288                       | Rockchip RK3588          |
|                                 | <b>Graphic GPU</b>      | ARM G52 2EE                        | Mali-T864                             | Mali-G610                |
|                                 | <b>Memory</b>           | 2G (4G optional)                   | 2G (4G optional)                      | 4G (8G optional)         |
|                                 | <b>Storage</b>          | 32G eMMC                           | 16G eMMCG(32G optiona)                | 64G eMMCG(128G optional) |
|                                 | <b>Network</b>          | 10/100 RJ45, 802.11a/b/g/n/ac Wifi | 100/1000M RJ45, 802.11a/b/g/n/ac Wifi |                          |
|                                 | <b>Pre-installed OS</b> | Andorid11                          | Andorid9                              | Andorid12                |

|                                |                           |                     |                     |     |
|--------------------------------|---------------------------|---------------------|---------------------|-----|
| <b>Power supply parameters</b> | Power Input               | 110-240V AC 50/60Hz | Manual              | * 1 |
|                                | Power Output              | DC 12V7A            | Wall mount bracket  | * 1 |
|                                | Standby power consumption | ≤0.5W               | WIFI antenna        | * 1 |
|                                | Overall power consumption | <45W                | Power Adapter&cable | * 1 |

**Included in the Delivery**

## External Connectors



RJ45 Port \* 1  
Power Socket \* 1

USB \* 2      TF slot \* 1  
HDMI out \* 1      Audio in&out \* 1

Optional to extend USB/RS232/TTL

## Use Case

