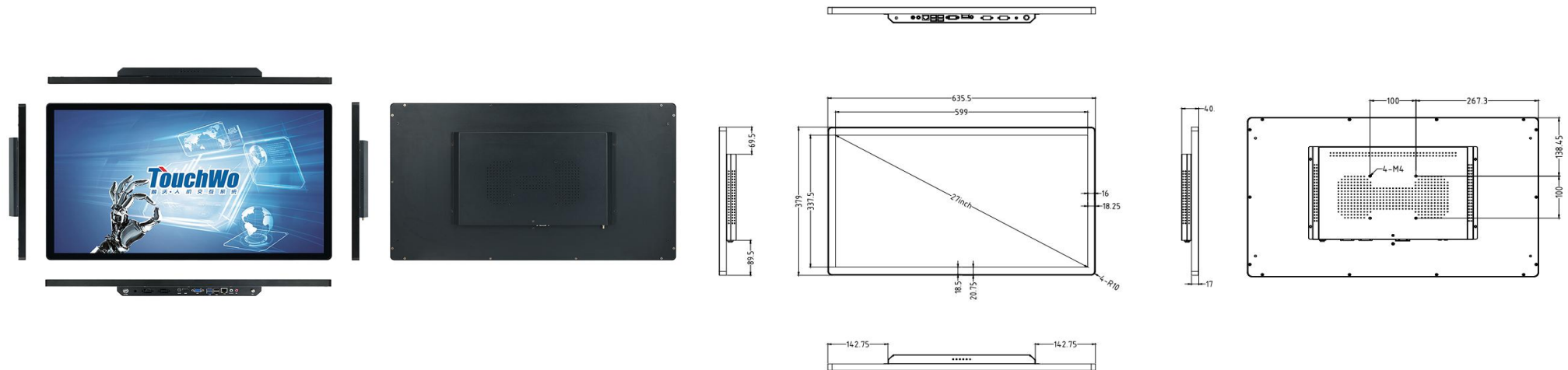


# TouchWo® 27" Touch PC

Model : HD27

## Views & Dimensions



## Features

- **24/7 Commercial Use**

Industrial-grade Power Supply

30,000-hour extended life LCD display

- Wall mounted/desktop stand/embedded etc

- **Stylish Appearance**

Industry-leading ultra-narrow screen bezel

Full aluminum alloy frame

- Surface IP65 waterproof

CE FC RoHS

## Tech Specs

LCD Panel		Touch Panel	
Screen diagonal	27inch	Touch technology	PCAP
Physical resolution	1920*1080	Response time	<5ms
Aspect ratio	16:09	Touch points	10 points standard
Display active screen size (mm)	599 (W) *337.5 (H)	Touch effective recognition	>1.5mm
Colours displayed	16.7M	Scanning Frequency	200Hz
Brightness (cd/m2)	250	Scanning accuracy	4096 * 4096
Contrast	1000:1	Working Current/Voltage	180Ma/DC+5V±5%
Visual Angle H/V (°)	178/178	Surface Hardness	Mohs class 7 explosion-proof glass
Backlight Lifetime (hours)	LED 30,000		
Refresh Rate	60 Hz		

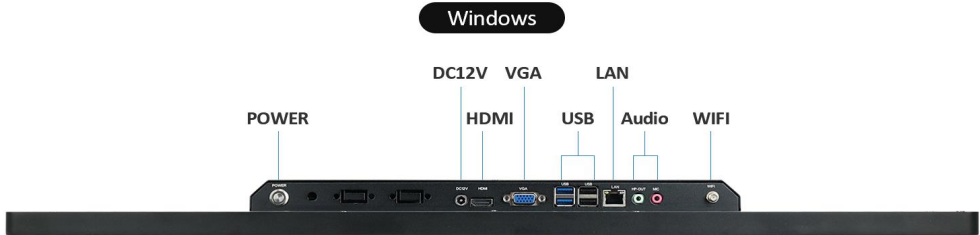
Operation Environment		Dimension	
Operation Temperature	0°C-50°C	Machine(cm)	63.55 (W) *37.9 (H) *4.04 (T)
Operation Humidity	0% - 90%	Package(cm)	79 (W) * 54.5 (H) *18.5 (T)
Storage Temperature	0°C-60°C	Net weight	6.5kg
Storage Humidity	0% - 65%	Gross weight	10.34kg

<b>PC System- Windows</b>	<b>CPU</b>	Intel Celeron® J6412	Intel® Core™ i5-8Gens	Intel® Core™ i7-10Gens
	<b>Graphic GPU</b>	Intel® UHD Graphics	Intel® Iris® Plus Graphics 645	Intel® UHD Graphics
	<b>Audio</b>	HD Audio: ALC269	HD Audio: ALC269	HD Audio: ALC269
	<b>Memory</b>	DDR4-2666MHz-SODIMM-4G	DDR4-2666MHz-SODIMM-8G	DDR4-2666MHz-SODIMM-16G
	<b>Storage</b>	mSATA-128GB	mSATA-256GB	mSATA-512GB
	<b>Network</b>	10/100/1000M RJ45, 802.11a/b/g/n/ac Wifi		
	<b>Pre-installed OS</b>	Windows 10 /11/Linux		

<b>Power supply parameters</b>	Power Input	110-240V AC 50/60Hz	Manual	* 1
	Power Output	DC 12V7A	Wall mount bracket	* 1
	Standby power consumption	≤0.5W	WIFI antenna	* 1
	Overall power consumption	<75W	Power Adapter&cable	* 1

**Included in the  
Delivery**

# External Connectors



RJ45 Ports	* 1	USB	* 4	VGA	* 1	Optional to extend	USB/RS232/RS485
Power Socket	* 1	HDMI out	* 1	Audio in&out	* 1		

# Use Case

