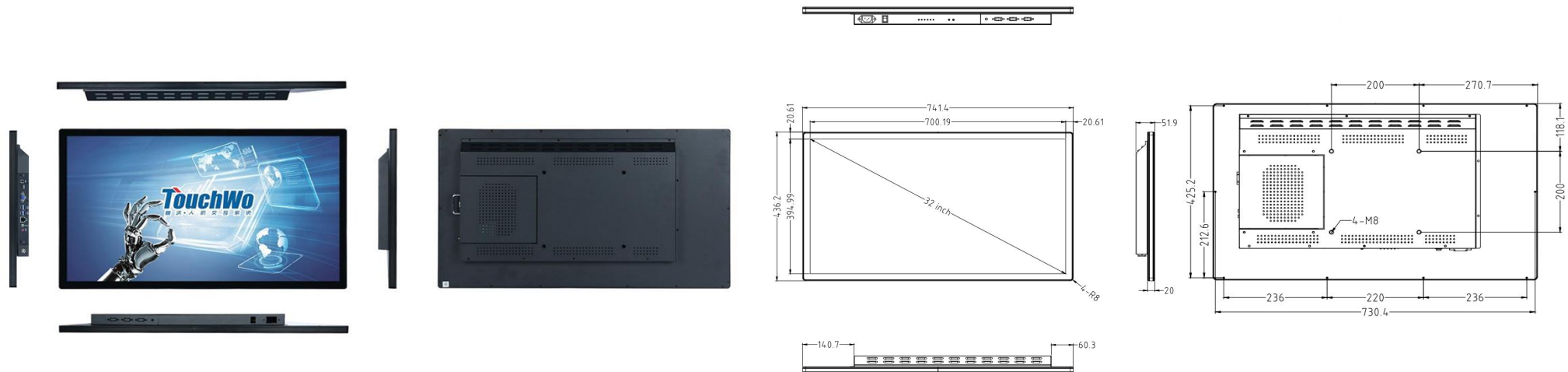


TouchWo®

32" Touch PC

Model : HD32

Views & Dimensions



Features

- **24/7 Commercial Use**

Industrial-grade Power Supply

30,000-hour extended life LCD display

- **Wall mounted/desktop stand/embedded etc**

- **Stylish Appearance**

Industry-leading ultra-narrow screen bezel

Full aluminum alloy frame

- **Surface IP65 waterproof**

CE FC RoHS

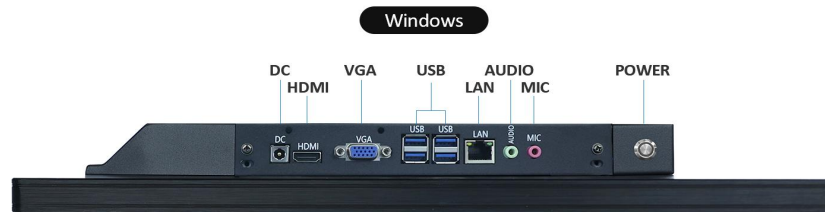
Tech Specs

LCD Panel	Screen diagonal	32inch	Touch Panel	Touch technology	PCAP
	Physical resolution	1920*1080 (4K ptional)		Response time	<5ms
	Aspect ratio	16:09		Touch points	10 points standard
	Display active screen size (mm)	700.19* 394.99		Touch effective recognition	>1.5mm
	Colours displayed	16.7M		Scanning Frequency	200Hz
	Brightness (cd/m2)	250		Scanning accuracy	4096 * 4096
	Contrast	1200:1		Working Current/Voltage	180Ma/DC+5V±5%
	Visual Angle H/V (°)	178/178		Surface Hardness	Mohs class 7 explosion-proof glass
	Backlight Lifetime (hours)	LED 30,000			
Refrash Rate	60 Hz				
Operation Environment	Operation Temperature	0°C-50°C	Dimension	Machine(cm)	74.14 (W) * 43.62 (H) *5.19 (T)
	Operation Humidity	0% - 90%		Package(cm)	85 (W) * 55 (H) *14 (T)
	Storage Temperature	0°C-60°C		Net weight	11.3kg
	Storage Humidity	0% - 65%		Gross weight	16.7kg

PC System- Windows	CPU	Intel Celeron® J6412	Intel® Core™ i5-8Gens	Intel® Core™ i7-10Gens
	Graphic GPU	Intel® UHD Graphics	Intel® Iris® Plus Graphics 645	Intel® UHD Graphics
	Audio	HD Audio: ALC269	HD Audio: ALC269	HD Audio: ALC269
	Memory	DDR4-2666MHz-SODIMM-4G	DDR4-2666MHz-SODIMM-8G	DDR4-2666MHz-SODIMM-16G
	Storage	mSATA-128GB	mSATA-256GB	mSATA-512GB
	Network	10/100/1000M RJ45, 802.11a/b/g/n/ac Wifi		
	Pre-installed OS	Windows 10 /11/Linux		
Power supply parameters	Power Input	110-240V AC 50/60Hz	Manual	* 1
	Standby power consumption	≤0.5W	Wall mount bracket	* 1
	Overall power consumption	<140W	Power cable	* 1
			WIFI antenna	* 1

**Included in the
Delivery**

External Connectors



RJ45 Port	* 1	USB	* 4	VGA	* 1	Optional to extend	USB/RS232/RS485
Power Socket	* 1	HDMI out	* 1	Audio in&out	* 1		

Use Case

