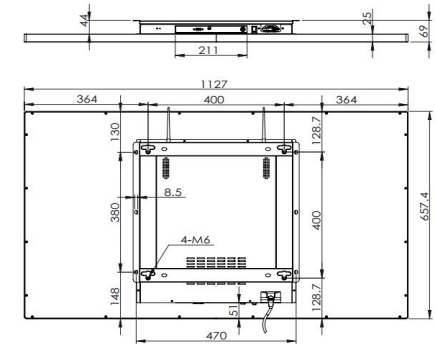
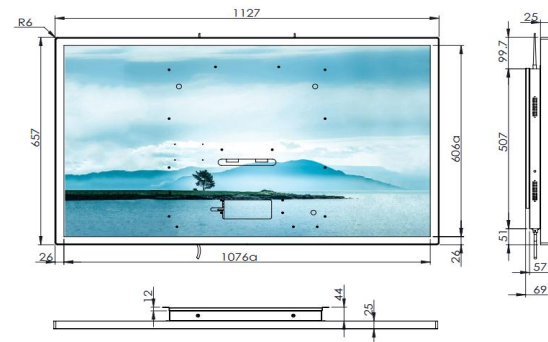


TouchWo® 49" Android Touch PC

Model : HD49

Views & Dimensions



Features

- 24/7 Commercial Use

Industrial-grade Power Supply

30,000-hour extended life LCD display

- Wall mounted/desktop stand/embedded etc

- Stylish Appearance

Industry-leading ultra-narrow screen bezel

Full aluminum alloy frame

- Surface IP65 waterproof

CE FC RoHS

Tech Specs

LCD Panel		Touch Panel	
Screen diagonal	49inch	Touch technology	PCAP
Physical resolution	1920*1080	Response time	<5ms
Aspect ratio	16:09	Touch points	10 points standard
Display active screen size (mm)	1076×606	Touch effective recognition	>1.5mm
Colours displayed	16.7M	Scanning Frequency	200Hz
Brightness (cd/m2)	300	Scanning accuracy	4096 * 4096
Contrast	1200:1	Working Current/Voltage	180Ma/DC+5V±5%
Visual Angle H/V (°)	178/178	Surface Hardness	Mohs class 7 explosion-proof glass
Backlight Lifetime (hours)	LED 30,000		
Refrash Rate	60 Hz		

Operation Environment		Dimension	
Operation Temperature	0°C-50°C	Machine(cm)	112.7 (W) ×65.7 (H) ×5.7 (T)
Operation Humidity	0% - 90%	Package(cm)	127 (W) ×79 (H) × 18.3 (T)
Storage Temperature	0°C-60°C	Net weight	24.1kgs
Storage Humidity	0% - 65%	Gross weight	30.6kgs

Operating System-Android	CPU	Rockchip RK3568	Rockchip RK3288	Rockchip RK3588
	Graphic GPU	ARM G52 2EE	Mali-T864	Mali-G610
	Memory	2G (4G optional)	2G (4G optional)	4G (8G optional)
	Storage	32G eMMC	16G eMMCG(32G optiona)	64G eMMCG(128G optional)
	Network	10/100 RJ45, 802.11a/b/g/n/ac Wifi	100/1000M RJ45, 802.11a/b/g/n/ac Wifi	
	Pre-installed OS	Andorid11	Andorid9	Andorid12
	Pre-installed OS		Windows 10 /11/Linux	

Power supply parameters	Power Input	100-240V AC 50/60Hz	Manual	* 1
	Standby power consumption	≤0.5W	Wall mount bracket	* 1
	Overall power consumption	<130W	WIFI antenna	* 1
			Power cable	* 1

Included in the Delivery

External Connectors



RJ45 Port	* 1	USB	* 2	TF slot	* 1	Optional to extend	USB/RS232/TTL
Power Socket	* 1	HDMI out	* 1	Audio in&out	* 1		

Use Case

