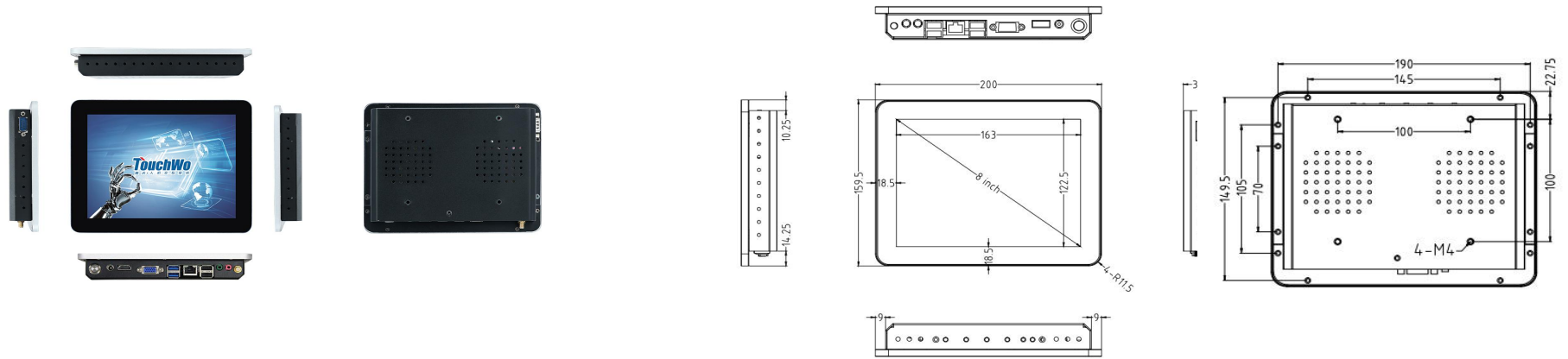


TouchWo®

8" Touch PC

Model : TD080N

Views & Dimensions



Features

- **24/7 Commercial Use**

Industrial-grade Power Supply

15,000-hour extended life LCD display

- **Wall mounted/desktop stand/embedded etc**

- **Stylish Appearance**

Industry-leading ultra-narrow screen bezel-18.5mm

7mm full aluminum alloy frame

- **Surface IP65 waterproof**

CE FC RoHS

Tech Specs

LCD Panel	Screen diagonal	8inch	Touch Panel	Touch technology	PCAP
	Physical resolution	1024*768		Response time	<5ms
	Aspect ratio	4:3		Touch points	10 points standard
	Display active screen size (mm)	477.6 * 269.1		Touch effective recognition	>1.5mm
	Colours displayed	16.7M		Scanning Frequency	200Hz
	Brightness (cd/m2)	250		Scanning accuracy	4096 * 4096
	Contrast	800:1		Working Current/Voltage	180Ma/DC+5V±5%
	Visual Angle H/V (°)	89/89/89/89		Surface Hardness	Mohs class 7 explosion-proof glass
	Backlight Lifetime (hours)	LED 15,000			
Refrash Rate	60 Hz				

Operation Environment	Operation Temperature	0°C-50°C	Dimension	Machine(cm)	20 (W) *15.95 (H) *3.18 (T)
	Operation Humidity	10% - 80%		Package(cm)	34 (W) * 27.7 (H) *9.7 (T)
	Storage Temperature	-.5°C-60°C		Net weight	0.95kg
	Storage Humidity	10% - 85%		Gross weight	1.95kg

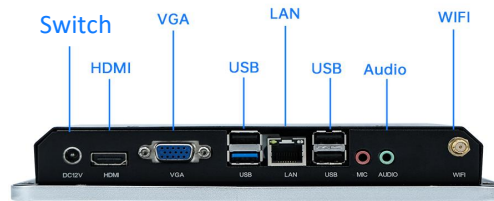
Optional

PC System- Windows	CPU	Intel Celeron®N5095	Intel® Core™ i5-6Gens
	Graphic GPU	Intel® UHD Graphics	Intel® UHD Graphics
	Audio	HD Audio: ALC897	HD Audio: ALC662
	Memory	DDR4-2666MHz-SODIMM-4G	DDR4-2133MHz-SODIMM-4G
	Storage	mSATA-128GB	mSATA-128GB
	Network	10/100/1000M RJ45, 802.11a/b/g/n/ac Wifi	
	Pre-installed OS	Windows 10 /11/Linux	

Power supply parameters	Power Input	110-240V AC 50/60Hz	Manual	* 1
	Power Output	DC 12V3A	Wall mount bracket	* 1
	Standby power consumption	≤0.5W	WIFI antenna	* 1
	Overall power consumption	<36W	Power Adapter&cable	* 1

**Included in
the Delivery**

External Connectors



RJ45 Ports	* 1	USB	* 4	VGA	* 1	Optional to extend USB(Max.*6),RS232*2
Power Socket	* 1	HDMI out	* 1	Audio in&out	* 1	

Use Case

