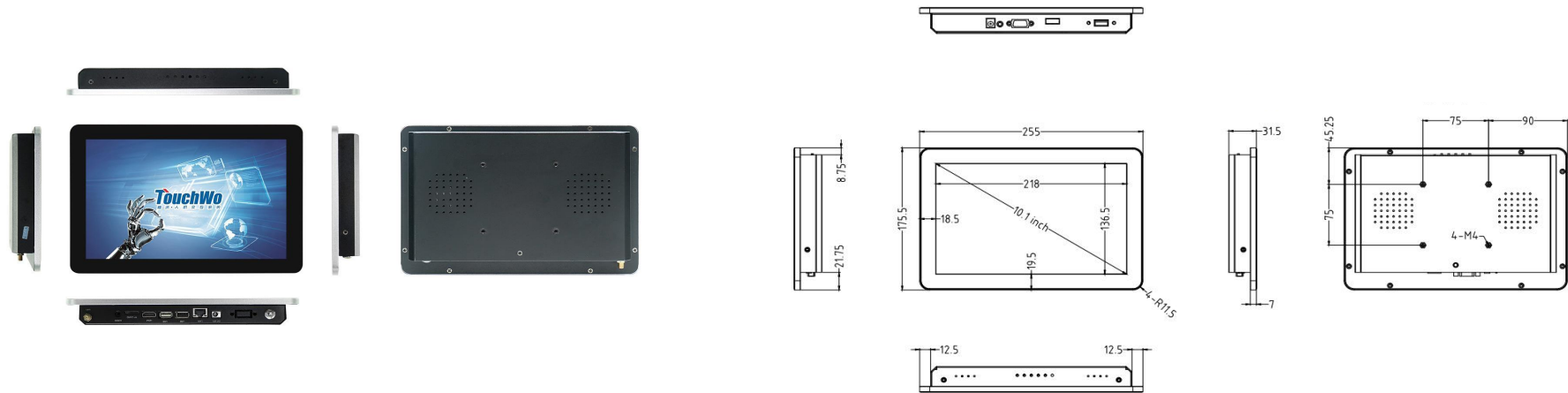


TouchWo®

10.1" Android Touch PC

Model : TD101A1

Views & Dimensions



Features

- 24/7 Commercial Use

Industrial-grade Power Supply

15,000-hour extended life LCD display

- Wall mounted/desktop stand/embedded etc

- Stylish Appearance

Industry-leading ultra-narrow screen bezel-18.5mm

7mm full aluminum alloy frame

- Surface IP65 waterproof

CE FC RoHS

Tech Specs

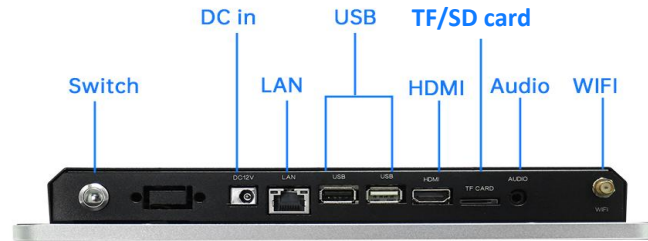
LCD Panel	Screen diagonal	10.1inch	Touch Panel	Touch technology	PCAP
	Physical resolution	1280*800		Response time	<5ms
	Aspect ratio	16:10		Touch points	10 points standard
	Display active screen size (mm)	218 * 136.5		Touch effective recognition	>1.5mm
	Colours displayed	16.7M		Scanning Frequency	200Hz
	Brightness (cd/m2)	250		Scanning accuracy	4096 * 4096
	Contrast	800:1		Working Current/Voltage	180Ma/DC+5V±5%
	Visual Angle H/V (°)	89/89/89/89		Surface Hardness	Mohs class 7 explosion-proof glass
	Backlight Lifetime (hours)	LED 15,000			
Refresh Rate	60 Hz				

Operation Environment	Operation Temperature	0°C-50°C	Dimension	Machine(cm)	25.5 (W) *17.55 (H) *3.15 (T)
	Operation Humidity	10% - 80%		Package(cm)	36 (W) * 28.3 (H) *8.3 (T)
	Storage Temperature	-.5°C-60°C		Net weight	0.8kg
	Storage Humidity	10% - 85%		Gross weight	2kg

Optional				
	CPU	Rockchip RK 3568	Rockchip RK 3288	Rockchip RK 3588
	Graphic GPU	ARM G52 2EE	Mali-T864	Mali-G610
	Audio	.-	.-	.-
Android System	Memory	2G (4G optional)	2G	4G (8G optional)
	Storage	32G eMMC	16G eMMC	64G/128G eMMC
	Network	10/100M RJ45, 802.11 a/b/g/n/ac Wifi	10/100M RJ45, 802.11 a/b/g/n/ac Wifi	10/100M RJ45, 802.11 a/b/g/n/ac Wifi
	Pre-installed OS	Android 11	Android 9	Android 12

Power supply parameters	Power Input	110-240V AC 50/60Hz	Included in the Delivery	Manual	* 1
	Power Output	DC 12V 5A/3A		Wall mount bracket	* 1
	Standby power consumption	≤0.5W		WIFI antenna	* 1
	Overall power consumption	<25W		Power Adapter&cable	* 1

External Connectors



RJ45 Ports	* 1	USB	* 2	TF/SD	* 1	Optional to extend USB(Max.*6),RS232*2
Power Socket	* 1	HDMI out	* 1	Audio in&out	* 1	

Use Case

