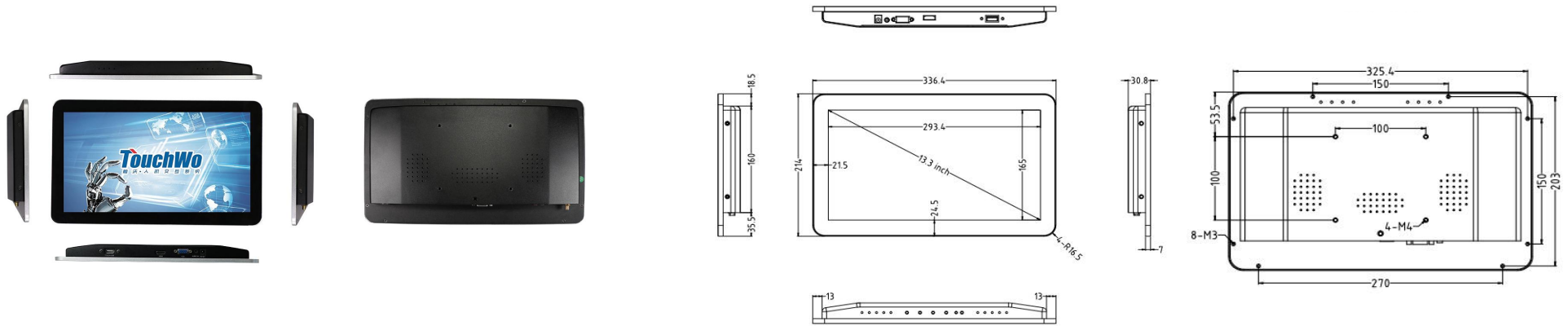


# TouchWo®

## 13.3" Touch Monitor

Model : TD133C

### Views & Dimensions



### Features

- **24/7 Commercial Use**

Industrial-grade Power Supply

15,000-hour extended life LCD display

- **Wall mounted/desktop stand/embedded etc**

- **Stylish Appearance**

Industry-leading ultra-narrow screen bezel-21.5mm

7mm full aluminum alloy frame

- **Surface IP65 waterproof**



## Tech Specs

<b>LCD Panel</b>	<b>Screen diagonal</b>	13.3inch	<b>Touch Panel</b>	<b>Touch technology</b>	PCAP
	<b>Physical resolution</b>	1920*1080		<b>Response time</b>	<5ms
	<b>Aspect ratio</b>	16:9		<b>Touch points</b>	10 points standard
	<b>Display active screen size (mm)</b>	293.4 * 165		<b>Touch effective recognition</b>	>1.5mm
	<b>Colours displayed</b>	16.7M		<b>Scanning Frequency</b>	200Hz
	<b>Brightness (cd/m2)</b>	250		<b>Scanning accuracy</b>	4096 * 4096
	<b>Contrast</b>	1000:1		<b>Working Current/Voltage</b>	180Ma/DC+5V±5%
	<b>Visual Angle H/V (°)</b>	89/89/89/89		<b>Surface Hardness</b>	Mohs class 7 explosion-proof glass
	<b>Backlight Lifetime (hours)</b>	LED 15,000			
<b>Refresh Rate</b>	60 Hz				

<b>Operation Environment</b>	<b>Operation Temperature</b>	0°C-50°C	<b>Dimension</b>	<b>Machine(cm)</b>	33.64 (W) *21.4 (H) *3.08 (T)
	<b>Operation Humidity</b>	10% - 80%		<b>Package(cm)</b>	45 (W) * 28.3 (H) *8.3 (T)
	<b>Storage Temperature</b>	-.5°C-60°C		<b>Net weight</b>	1.4kg
	<b>Storage Humidity</b>	10% - 85%		<b>Gross weight</b>	2.75kg

**Power supply parameters**

Power Input	100-240V AC 50/60Hz	<b>Included in the Delivery</b>	Manual	* 1
Power Output	DC 12V 3A		Wall mount bracket	* 1
Standby power consumption	≤0.5W		HDMI/USB cable	* 1
Overall power consumption	<20W		Power Adapter&cable	* 1

## External Connectors



RJ45 Ports	* 1	USB touch port	* 1	VGA	* 1
Power Socket	* 1	HDMI in	* 1	Audio in&out	* 1

## Use Case

