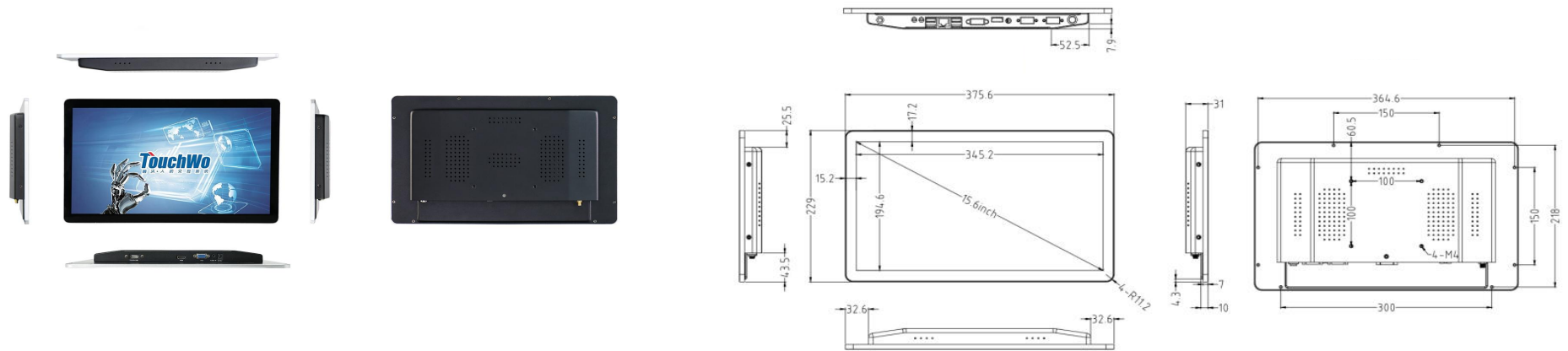


TouchWo® 15.6" Touch Monitor

Model : TD156E

Views & Dimensions



Features

- **24/7 Commercial Use**

Industrial-grade Power Supply

15,000-hour extended life LCD display

- **Wall mounted/desktop stand/embedded etc**

- **Stylish Appearance**

Industry-leading ultra-narrow screen bezel-15.2mm

7mm full aluminum alloy frame

- **Surface IP65 waterproof**

CE FC RoHS

Tech Specs

LCD Panel	Screen diagonal	15.6inch	Touch Panel	Touch technology	PCAP
	Physical resolution	1920*1080		Response time	<5ms
	Aspect ratio	16:9		Touch points	10 points standard
	Display active screen size (mm)	344 * 194		Touch effective recognition	>1.5mm
	Colours displayed	16.7M		Scanning Frequency	200Hz
	Brightness (cd/m2)	250		Scanning accuracy	4096 * 4096
	Contrast	800:1		Working Current/Voltage	180Ma/DC+5V±5%
	Visual Angle H/V (°)	89/89/89/89		Surface Hardness	Mohs class 7 explosion-proof glass
	Backlight Lifetime (hours)	LED 15,000			
Refresh Rate	60 Hz				

Operation Environment	Operation Temperature	0°C-50°C	Dimension	Machine(cm)	37.56 (W) *22.9 (H) *3.1 (T)
	Operation Humidity	10% - 80%		Package(cm)	52.5 (W) * 31.5 (H) *10.5 (T)
	Storage Temperature	-.5°C-60°C		Net weight	1.6kg
	Storage Humidity	10% - 85%		Gross weight	3.02kg

Power supply parameters	Power Input	100-240V AC 50/60Hz	Included in the Delivery	Manual	* 1
	Power Output	DC 12V 3A		Wall mount bracket	* 1
	Standby power consumption	≤0.5W		HDMI/USB cable	* 1
	Overall power consumption	<20W		Power Adapter&cable	* 1

External Connectors



DC in	* 1	USB touch port	*1	VGA	* 1
Power Socket	* 1	HDMI in	* 1	Audio in&out	* 1

Use Case

