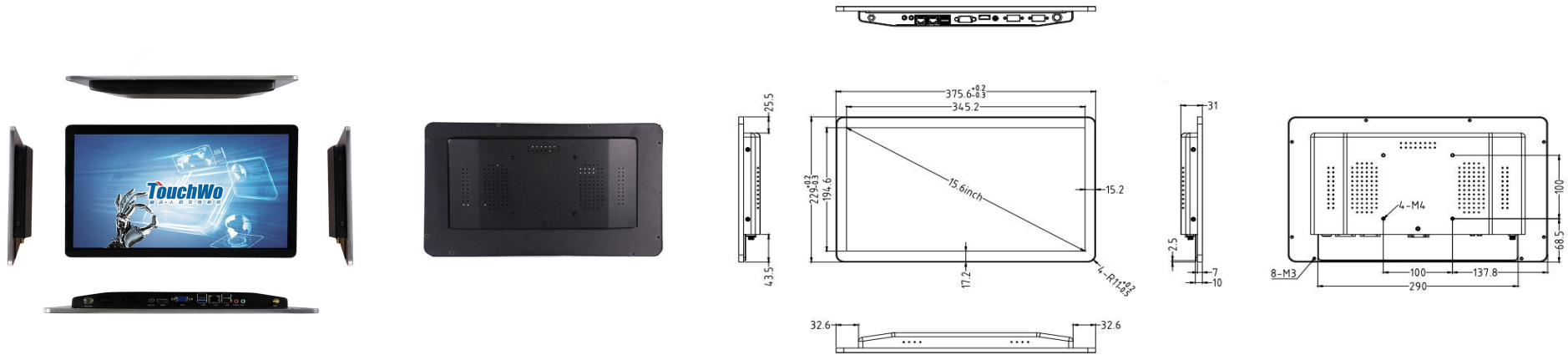


TouchWo®

15.6" Touch PC

Model : TD156E

Views & Dimensions



Features

- 24/7 Commercial Use

Industrial-grade Power Supply

15,000-hour extended life LCD display

- Wall mounted/desktop stand/embedded etc

- Stylish Appearance

Industry-leading ultra-narrow screen bezel-15.2mm

7mm full aluminum alloy frame

- Surface IP65 waterproof



Tech Specs

LCD Panel		Touch Panel	
Screen diagonal	15.6inch	Touch technology	PCAP
Physical resolution	1920*1080	Response time	<5ms
Aspect ratio	16:9	Touch points	10 points standard
Display active screen size (mm)	344 * 194	Touch effective recognition	>1.5mm
Colours displayed	16.7M	Scanning Frequency	200Hz
Brightness (cd/m2)	250	Scanning accuracy	4096 * 4096
Contrast	800:1	Working Current/Voltage	180Ma/DC+5V±5%
Visual Angle H/V (°)	89/89/89/89	Surface Hardness	Mohs class 7 explosion-proof glass
Backlight Lifetime (hours)	LED 15,000		
Refresh Rate	60 Hz		

Operation Environment		Dimension	
Operation Temperature	0°C-50°C	Machine(cm)	37.56 (W) *22.9 (H) *3.1 (T)
Operation Humidity	10% - 80%	Package(cm)	52.5 (W) * 31.5 (H) *10.5 (T)
Storage Temperature	-.5°C-60°C	Net weight	1.6kg
Storage Humidity	10% - 85%	Gross weight	3.02kg

Optional

PC System- Windows	CPU	Intel Celeron® J6412	Intel® Core™ i5-8Gens	Intel® Core™ i7-10Gens
	Graphic GPU	Intel® UHD Graphics	Intel® Iris® Plus Graphics 645	Intel® UHD Graphics
	Audio	HD Audio: ALC269	HD Audio: ALC269	HD Audio: ALC269
	Memory	DDR4-2666MHz-SODIMM-4G	DDR4-2666MHz-SODIMM-8G	DDR4-2666MHz-SODIMM-16G
	Storage	mSATA-128GB	mSATA-256GB	mSATA-512GB
	Network	10/100/1000M RJ45, 802.11a/b/g/n/ac Wifi		
	Pre-installed OS	Windows 10 /11/Linux		

Power supply parameters	Power Input	100-240V AC 50/60Hz	Manual	* 1
	Power Output	DC 12V 3A	Wall mount bracket	* 1
	Standby power consumption	≤0.5W	WIFI antenna	* 1
	Overall power consumption	<36W	Power Adapter&cable	* 1

**Included in the
Delivery**

External Connectors



RJ45 Ports	* 1	USB	* 4	VGA	* 1	Optional to extend USB(Max.*6),RS232*2
Power Socket	* 1	HDMI out	* 1	Audio in&out	* 1	

Use Case

