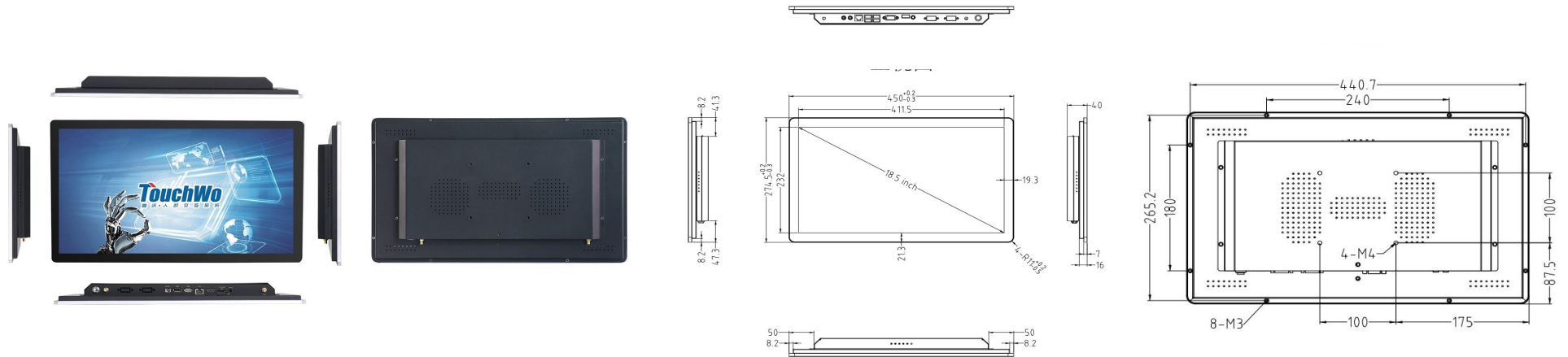


# TouchWo®

## 18.5" Android Touch PC

Model : TD185C

### Views & Dimensions



### Features

- **24/7 Commercial Use**
  - Industrial-grade Power Supply
  - 30,000-hour extended life LCD display
- **Wall mounted/desktop stand/embedded etc**
- **Stylish Appearance**
  - Industry-leading ultra-narrow screen bezel-19.3mm
  - 7mm full aluminum alloy frame
- **Surface IP65 waterproof**



## Tech Specs

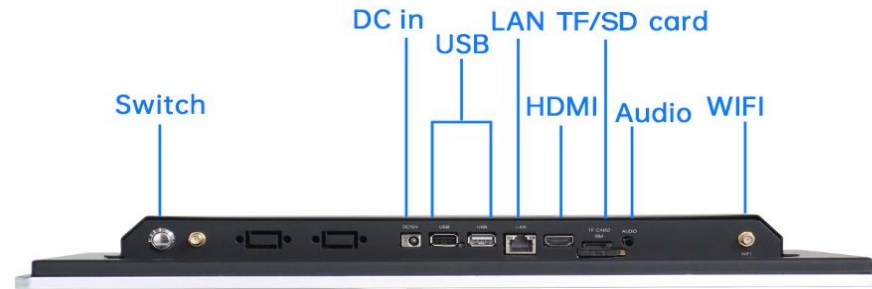
<b>LCD Panel</b>	<b>Screen diagonal</b>	18.5inch	<b>Touch Panel</b>	<b>Touch technology</b>	PCAP
	<b>Physical resolution</b>	1366*768		<b>Response time</b>	<5ms
	<b>Aspect ratio</b>	16:9		<b>Touch points</b>	10 points standard
	<b>Display active screen size (mm)</b>	411.5 * 232		<b>Touch effective recognition</b>	>1.5mm
	<b>Colours displayed</b>	16.7M		<b>Scanning Frequency</b>	200Hz
	<b>Brightness (cd/m2)</b>	250		<b>Scanning accuracy</b>	4096 * 4096
	<b>Contrast</b>	1000:1		<b>Working Current/Voltage</b>	180Ma/DC+5V±5%
	<b>Visual Angle H/V (°)</b>	89/89/89/89		<b>Surface Hardness</b>	Mohs class 7 explosion-proof glass
	<b>Backlight Lifetime (hours)</b>	LED 30,000			
<b>Refrash Rate</b>	60 Hz				
<b>Operation Environment</b>	<b>Operation Temperature</b>	0°C-50°C	<b>Dimension</b>	<b>Machine(cm)</b>	45.05 (W) *27.45 (H) *4 (T)
	<b>Operation Humidity</b>	10% - 80%		<b>Package(cm)</b>	52 (W) * 45 (H) *14.5 (T)
	<b>Storage Temperature</b>	-.5°C-60°C		<b>Net weight</b>	3.8kg
	<b>Storage Humidity</b>	10% - 85%		<b>Gross weight</b>	5.95kg

**Optional**

	<b>CPU</b>	Rockchip RK <b>3568</b>	Rockchip RK <b>3288</b>	Rockchip RK <b>3588</b>
	<b>Graphic GPU</b>	ARM G52 2EE	Mali-T864	Mali-G610
	<b>Audio</b>	.-	.-	.-
<b>Android System</b>	<b>Memory</b>	2G (4G optional)	2G	4G (8G optional)
	<b>Storage</b>	32G eMMC	16G eMMC	64G/128G eMMC
	<b>Network</b>	10/100M RJ45, 802.11 a/b/g/n/ac Wifi	10/100M RJ45, 802.11 a/b/g/n/ac Wifi	10/100M RJ45, 802.11 a/b/g/n/ac Wifi
	<b>Pre-installed OS</b>	Android 11	Android 9	Android 12

<b>Power supply parameters</b>	Power Input	100-240V AC 50/60Hz	<b>Included in the Delivery</b>	Manual	* 1
	Power Output	DC 12V 5A		Wall mount bracket	* 1
	Standby power consumption	≤0.5W		WIFI antenna	* 1
	Overall power consumption	<36W		Power Adapter&cable	* 1

## External Connectors



RJ45 Ports	* 1	USB	*2	TF/SD	* 1	Optional to extend USB( Max.*6 ),RS232*2
Power Socket	* 1	HDMI out	* 1	Audio in&out	* 1	

## Use Case

