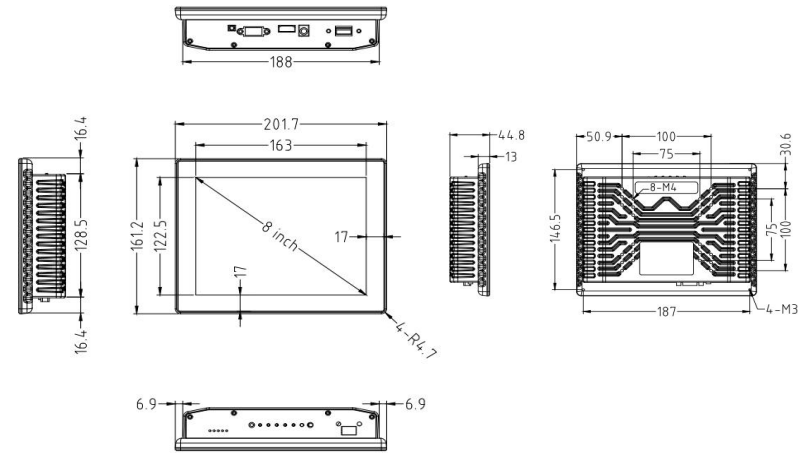
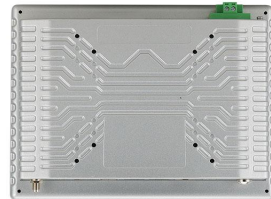




8" Industrial Touch Monitor

Model : DM080NG

Views & Dimensions



Features

- **24/7 Commercial Use**

Industrial-grade Power Supply

15,000-hour extended life LCD display

- **Support multiple installation requirements**

- **Stylish Appearance**

High precision die-casting integrated molding

High quality structural design of aluminum alloy

- **Surface IP65 waterproof**



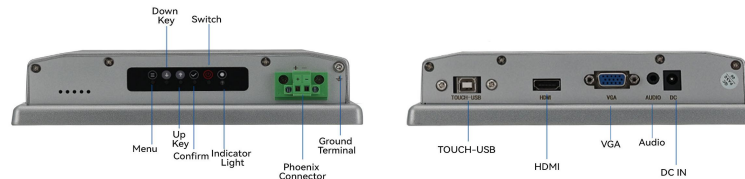
Tech Specs

LCD Panel		Touch Panel	
Screen diagonal	8 inch	Touch technology	PCAP
Physical resolution	1024*768	Response time	<5ms
Aspect ratio	4 : 3	Touch points	10 points standard
Display size (mm)	163(W)*122.5(H)	Touch effective recognition	>1.5mm
Colours displayed	16.7M , 52% (CIE1931)	Scanning Frequency	200Hz
Brightness (cd/m2)	≥250cd/m2	Scanning accuracy	4096 * 4096
Contrast	≥ 800: 1	Working Current/Voltage	180Ma/DC+5V±5%
Visual Angle H/V (°)	85/85/85/85(Typ.) (CR≥10)	Surface Hardness	Mohs class 7 explosion-proof glass
Backlight Lifetime (hours)	15000h		
Refrash Rate	60 Hz		

Operation Environment		Dimension	
Operation Temperature	0°C-50°C	Machine(cm)	20.2(L) * 16.1(W) * 4.5(H)
Operation Humidity	10% - 80%	Package(cm)	39(L) * 32(W) * 9.5(H)
Storage Temperature	-5°C-60°C	Net weight	1.55 KG
Storage Humidity	10% - 85%	Gross weight	2.87KG
EMC	CE/FCC Class B	Mounting bracket	Desktop/Wall mounted

Power supply parameters	Power Output	DC 12V3A	Manual	* 1	
	Standby power consumption	<20W		Mounting bracket	* 1
Vibration during work	SSD applied: 1.5 Grms, IEC 60068-2-64, random, 5 ~ 500 Hz, 1 hr/axis		Included in the Delivery	Power Adapter&cable	* 1
Impact during work	SSD applied: 10 G, IEC 60068-2-27, Half sine wave, lasting for 11ms			USB-B cable	* 1

External Connectors



Button function AUTO, MENU,POWER,LEFT,RIGHT

Touch interface 1 * TOUCH (B port)

Power interface 1 * 2P Phoenix terminal interface/1 * DC2.1

Video input 1 * HDMI 1.4/1 * VGA

Audio 1 * Audio Input

Use Case

