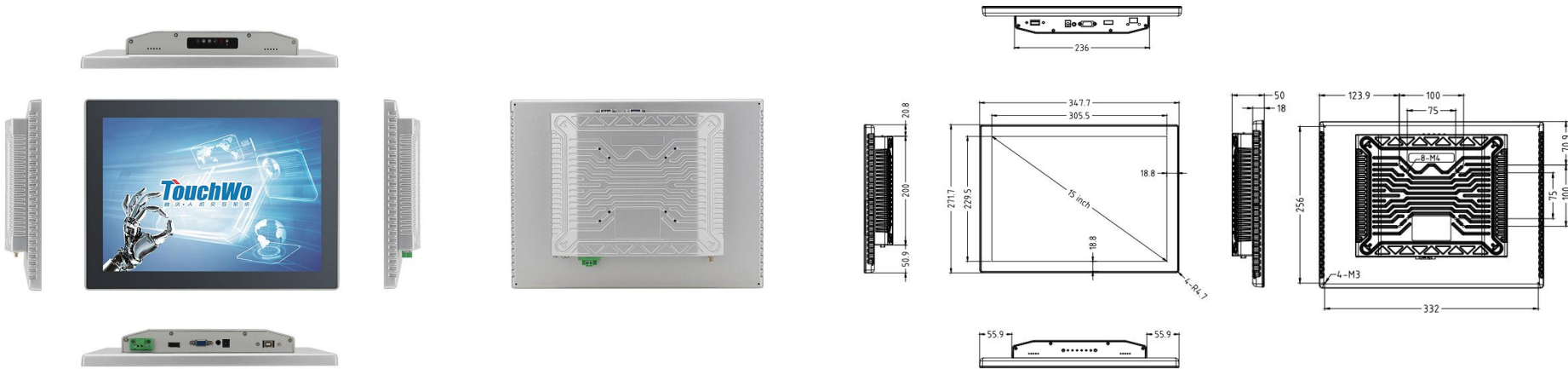




# 15" Industrial Touch Monitor

Model : DM15G

## Views & Dimensions



## Features

- **24/7 Commercial Use**

Industrial-grade Power Supply

15,000-hour extended life LCD display

- **Support multiple installation requirements**

- **Stylish Appearance**

High precision die-casting integrated molding

High quality structural design of aluminum alloy

- **Surface IP65 waterproof**

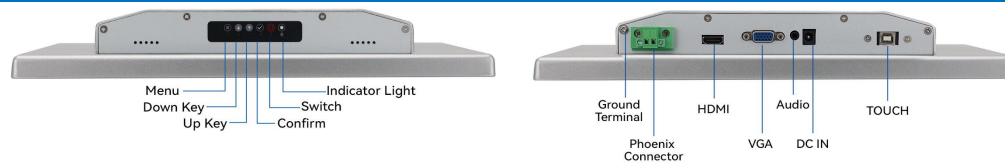


## Tech Specs

<b>LCD Panel</b>	<b>Screen diagonal</b>	15 inch	<b>Touch Panel</b>	<b>Touch technology</b>	PCAP
	<b>Physical resolution</b>	1024*768		<b>Response time</b>	<5ms
	<b>Aspect ratio</b>	4 : 3		<b>Touch points</b>	10 points standard
	<b>Display size (mm)</b>	305.5(W)*229.5(H)		<b>Touch effective recognition</b>	>1.5mm
	<b>Colours displayed</b>	16.7M, 72% NTSC		<b>Scanning Frequency</b>	200Hz
	<b>Brightness (cd/m2)</b>	≥350cd/m2		<b>Scanning accuracy</b>	4096 * 4096
	<b>Contrast</b>	≥ 1000: 1		<b>Working Current/Voltage</b>	180Ma/DC+5V±5%
	<b>Visual Angle H/V (°)</b>	85/85/85/85(Typ.) (CR≥10)		<b>Surface Hardness</b>	Mohs class 7 explosion-proof glass
<b>Backlight Lifetime (hours)</b>	50000h				
<b>Refrash Rate</b>	60 Hz				
<b>Operation Environment</b>	<b>Operation Temperature</b>	0°C-50°C	<b>Dimension</b>	<b>Machine(cm)</b>	34.8(L) * 27.2(W) * 5(H)
	<b>Operation Humidity</b>	10% - 80%		<b>Package(cm)</b>	41(L) * 37.5(W) * 14.9(H)
	<b>Storage Temperature</b>	-5°C-60°C		<b>Net weight</b>	4.01 KG
	<b>Storage Humidity</b>	10% - 85%		<b>Gross weight</b>	5.59 KG
	<b>EMC</b>	CE/FCC Class B		<b>Mounting bracket</b>	Desktop/Wall mounted

<b>Power supply parameters</b>	<b>Power Output</b>	DC 12V3A	<b>Manual</b>	* 1
	<b>Standby power consumption</b>	<20W	<b>Mounting bracket</b>	* 1
<b>Vibration during work</b>	SSD applied: 1.5 Grms, IEC 60068-2-64, random, 5 ~ 500 Hz, 1 hr/axis	<b>Included in the Delivery</b>	<b>Power Adapter&amp;cable</b>	* 1
			<b>USB-B cable</b>	* 1
<b>Impact during work</b>	SSD applied: 10 G, IEC 60068-2-27, Half sine wave, lasting for 11ms			

## External Connectors



**Button function** AUTO, MENU,POWER,LEFT,RIGHT

**Power interface** 1 \* 2P Phoenix terminal interface/1 \* DC2.1

**Audio** 1 \* Audio Input

**Touch interface** 1 \* TOUCH (B port)

**Video input** 1 \* HDMI 1.4/1 \* VGA

## Use Case

