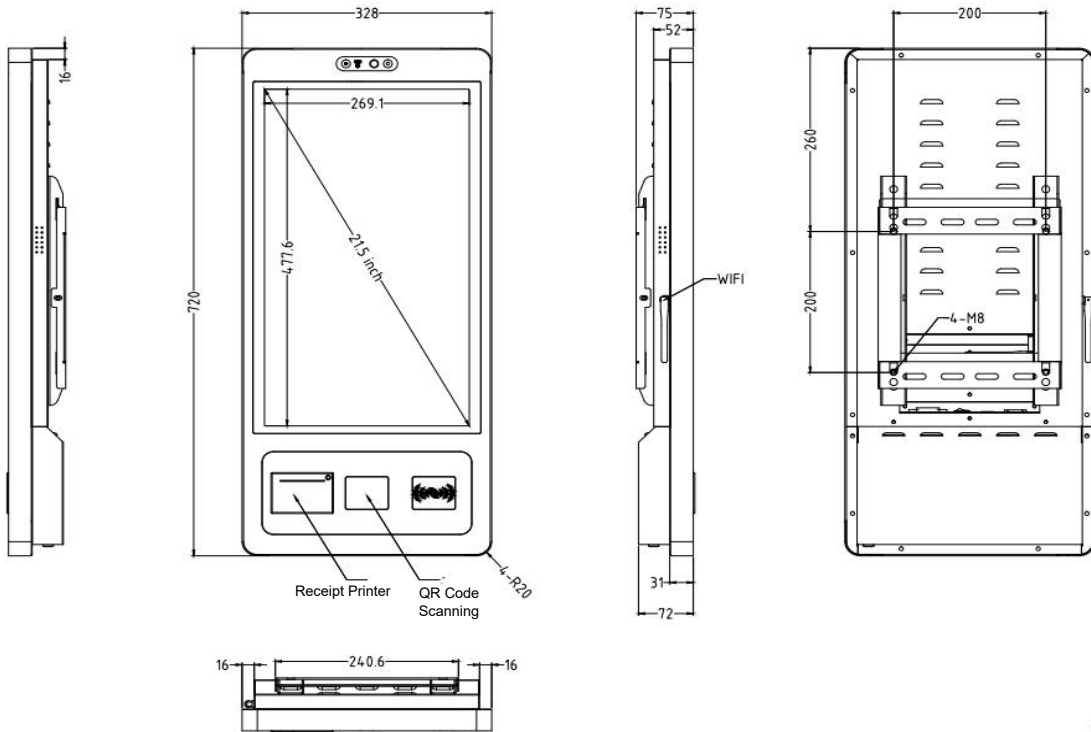
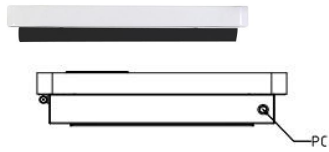


21.5" Wall Mounting Touch Kiosk(ARM)



● **24/7 Commercial Use**

Industrial-grade Power Supply
30,000-hour extended life LCD display

● **Android / Windows Optional**

Android 11 default, High-end spec optional
Latest Celeron J6412 default
i5 12Gen Optional

● **Free customization**

Multiple peripheral configurations available
integrate your own POS terminal

● **Easy wall mount or Floor Mount**

Wall mount bracket by default
Optional with pre-drilled holes for floor mounting

Android System

CPU	Rockchip RK3568	Rockchip RK3399	Rockchip RK3588
Graphic GPU	ARM G52 2EE	Mali-T864	Mali-G610
Memory	2G (4G optional)	4G	4G (8G optional)
Storage	32G eMMC	64G eMMC	64G/128G eMMC
Network	10/100M RJ45, 802.11 a/b/g/n/ac Wifi	100/1000M RJ45, 802.11 a/b/g/n/ac Wifi	100/1000M RJ45, 802.11 a/b/g/n/ac Wifi
Pre-installed OS	Android 11	Android 9	Android 12

LCD Panel

Screen diagonal	21.5inch
Display active screen size (mm)	477.6*269.1mm
Aspect ratio	16:09
Physical resolution	1920*1080
Colours displayed	16.7M
Brightness (cd/m2)	≥250
Contrast	1000:1
Visual Angle H/V (°)	178/178
Backlight Lifetime (hours)	LED 30,000
Refresh Rate	60 Hz

Touch Panel

Touch technology	PCAP
Response time	<5ms
Touch points	10 points standard
Touch effective recognition	>1.5mm
Scanning Frequency	200Hz
Scanning accuracy	4096×4096
Working Current/Voltage	180Ma/DC+5V±5%
Surface Hardness	Mohs class 7 explosion-proof glass

Operation Environment

Operation Temperature	0℃-50℃
Operation Humidity	10% - 80%
Storage Temperature	-5℃-60℃
Storage Humidity	10% - 85%

Dimension

Machine(mm)	328 (W) ×720 (H) × 72 (T)
Package(mm)	480 (W) ×870 (H) × 220 (T)
Net weight	11.6KG
Gross weight	16KG

Power supply parameters

Power Input	110-240V AC 50/60Hz
Power Output	DC 12V4A
Standby power consumption	≤0.5W
Overall power consumption	Android <36W, X86<48W

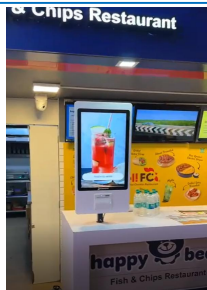
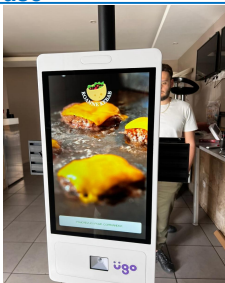
External Connectors

RJ45 Ports	x1
Power Socket	x1
USB 2.0	x2

Included in the Delivery

Manual	x1
WIFI antenna	x1
Wall mount bracket	x1
AC Power cable	x1

Use Case



Peripherals

The GD215C Kiosk comes equipped with a high-speed thermal printer, a QR code scanner, and an RFID card reader. Its versatile design allows for compatibility with a wide range of peripherals, and the option to customize with or without specific devices. With a short customization period ranging from 7 to 35 days, delivery can be completed efficiently.



Thermal Printer

Model	MS-E80I
Printing Speed	250MM/S(MAX)
Printing Width	72MM
Paper Width	80MM(MAX)
Resolution	576dots/line
Paper Roll	Dia 80MM(MAX)
Paper Cut	Auto Cut



Barcode Scanner

Model	EMT8020
Resolution	640*480 COMS
Recognition Accuracy	5mil
Field of View	Horizontal 68°, Vertical 51°
2D Codes	PDF417, QR Code, DataMatrix, etc
1D Codes	Code 128, EAN-13, EAN-8, Code 39, etc



RFID card reader

Model	M11
Frequency:	IC Mifare1/; CPU/TypeA; 14443A
Protocols:	IC/ID
Supported Cards	80MM(MAX)
Functions:	Read/Write IC cards, Read ID cards

More Options for customization



Fingerprint Sensor



Metal Keyboard



Card Dispenser



Payment terminal



Camera



NFC-Payment



4G LTE



Battery-UPS