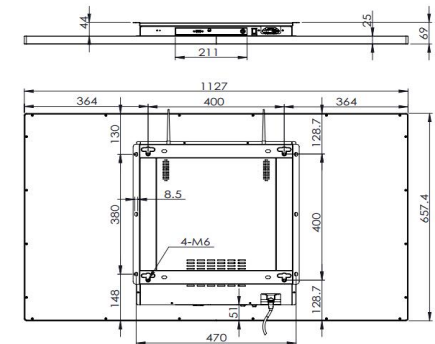
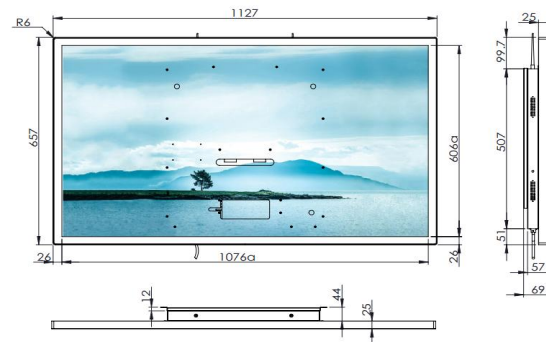


# TouchWo®

## 49" Touch PC

Model : HD49

### Views & Dimensions



### Features

- 24/7 Commercial Use

Industrial-grade Power Supply

30,000-hour extended life LCD display

- Wall mounted/desktop stand/embedded etc

- Stylish Appearance

Industry-leading ultra-narrow screen bezel

Full aluminum alloy frame

- Surface IP65 waterproof

CE FC RoHS

## Tech Specs

LCD Panel		Touch Panel	
Screen diagonal	49inch	Touch technology	PCAP
Physical resolution	1920*1080	Response time	<5ms
Aspect ratio	16:09	Touch points	10 points standard
Display active screen size (mm)	1076×606	Touch effective recognition	>1.5mm
Colours displayed	16.7M	Scanning Frequency	200Hz
Brightness (cd/m2)	300	Scanning accuracy	4096 * 4096
Contrast	1200:1	Working Current/Voltage	180Ma/DC+5V±5%
Visual Angle H/V (°)	178/178	Surface Hardness	Mohs class 7 explosion-proof glass
Backlight Lifetime (hours)	LED 30,000		
Refrash Rate	60 Hz		

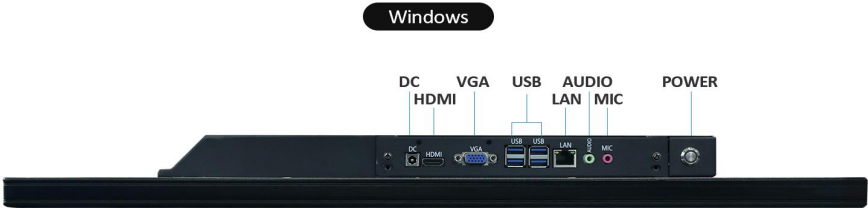
Operation Environment		Dimension	
Operation Temperature	0°C-50°C	Machine(cm)	112.7 (W) ×65.7 (H) ×5.7 (T)
Operation Humidity	0% - 90%	Package(cm)	127 (W) ×79 (H) × 18.3 (T)
Storage Temperature	0°C-60°C	Net weight	24.1kgs
Storage Humidity	0% - 65%	Gross weight	30.6kgs

<b>PC System- Windows</b>	<b>CPU</b>	Intel Celeron® J6412	Intel® Core™ i5-8Gens	Intel® Core™ i7-10Gens
	<b>Graphic GPU</b>	Intel® UHD Graphics	Intel® Iris® Plus Graphics 645	Intel® UHD Graphics
	<b>Audio</b>	HD Audio: ALC269	HD Audio: ALC269	HD Audio: ALC269
	<b>Memory</b>	DDR4-2666MHz-SODIMM-4G	DDR4-2666MHz-SODIMM-8G	DDR4-2666MHz-SODIMM-16G
	<b>Storage</b>	mSATA-128GB	mSATA-256GB	mSATA-512GB
	<b>Network</b>	10/100/1000M RJ45, 802.11a/b/g/n/ac Wifi		
<b>Pre-installed OS</b>	Windows 10 /11/Linux			

<b>Power supply parameters</b>	Power Input	100-240V AC 50/60Hz	Manual	* 1
	Standby power consumption	≤0.5W	Wall mount bracket	* 1
	Overall power consumption	<130W	WIFI antenna	* 1
			Power cable	* 1

**Included in the  
Delivery**

# External Connectors



RJ45 Port	* 1	USB	* 4	VGA	* 1	Optional to extend	USB/RS232/RS485
Power Socket	* 1	HDMI out	* 1	Audio in&out	* 1		

# Use Case

