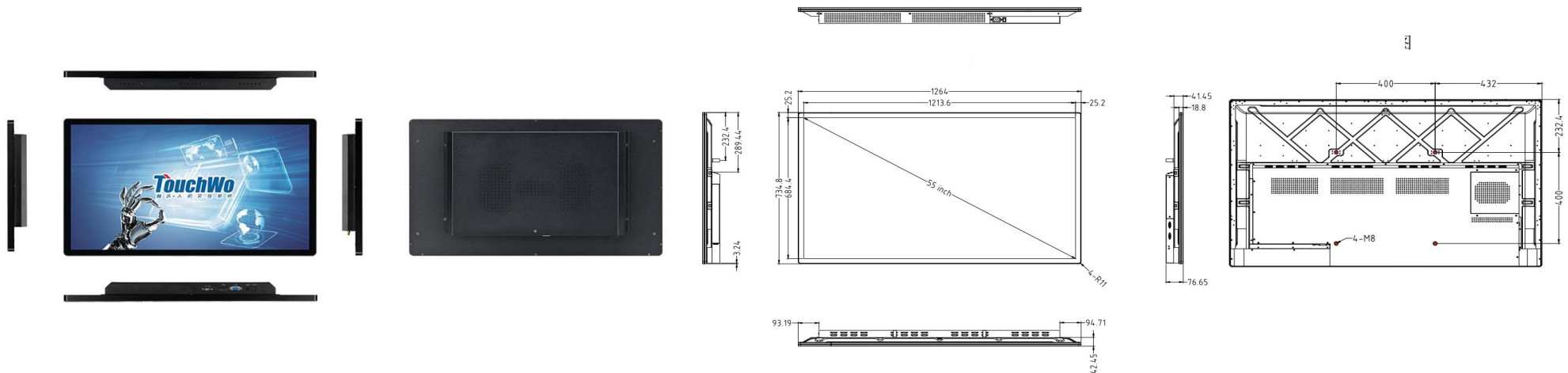


TouchWo®

55" Touch Monitor

Model : HD55

Views & Dimensions



Features

- **24/7 Commercial Use**
 - Industrial-grade Power Supply
 - 30,000-hour extended life LCD display
- **Stylish Appearance**
 - Industry-leading ultra-narrow screen bezel
 - Full aluminum alloy frame
- **Wall mounted/desktop stand/embedded etc**
- **Surface IP65 waterproof**



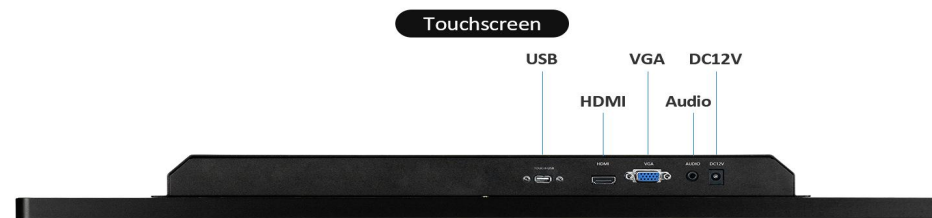
Tech Specs

LCD Panel		Touch Panel	
Screen diagonal	55inch	Touch technology	PCAP
Physical resolution	1920*1080 (4K optional)	Response time	<5ms
Aspect ratio	16:09	Touch points	10 points standard
Display active screen size (mm)	1213.6*684.4	Touch effective recognition	>1.5mm
Colours displayed	16.7M	Scanning Frequency	200Hz
Brightness (cd/m2)	300	Scanning accuracy	4096 * 4096
Contrast	1200:1	Working Current/Voltage	180Ma/DC+5V±5%
Visual Angle H/V (°)	178/178	Surface Hardness	Mohs class 7 explosion-proof glass
Backlight Lifetime (hours)	LED 30,000		
Refrash Rate	60 Hz		

Operation Environment		Dimension	
Operation Temperature	0°C-50°C	Machine(cm)	126.4 (W) *73.48 (H) *7.67 (T)
Operation Humidity	0% - 90%	Package(cm)	136 (W) * 89 (H) *17.3 (T)
Storage Temperature	0°C-60°C	Net weight	30kg
Storage Humidity	0% - 65%	Gross weight	35kg

Power supply parameters	Power Input	110-240V AC 50/60Hz	Included in the Delivery	Manual	* 1
	Standby power consumption	≤0.5W		Wall mount bracket	* 1
	Overall power consumption	<160W		USB&HDMI cable	* 1
				Power cable	* 1

External Connectors



HDMI in	* 1	USB	* 1	VGA	* 1
Power Socket	* 1	Audio in&out	* 1		

Use Case

