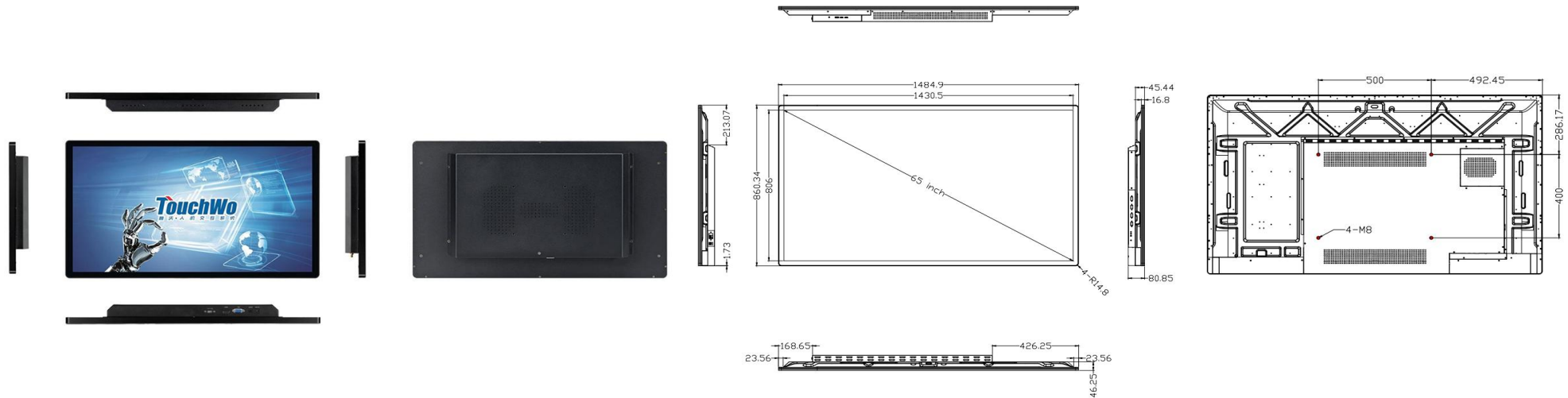


TouchWo® 65" Touch Monitor

Model : HD65

Views & Dimensions



Features

- 24/7 Commercial Use

Industrial-grade Power Supply

30,000-hour extended life LCD display

- Wall mounted/desktop stand/embedded etc

- Stylish Appearance

Industry-leading ultra-narrow screen bezel

Full aluminum alloy frame

- Surface IP65 waterproof

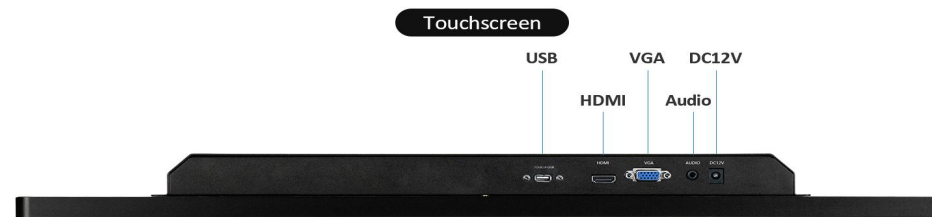


Tech Specs

LCD Panel	Screen diagonal	65inch	Touch Panel	Touch technology	PCAP
	Physical resolution	1920*1080 (4K optional)		Response time	<5ms
	Aspect ratio	16:09		Touch points	10 points standard
	Display active screen size (mm)	1430.5* 806		Touch effective recognition	>1.5mm
	Colours displayed	16.7M		Scanning Frequency	200Hz
	Brightness (cd/m2)	300		Scanning accuracy	4096 * 4096
	Contrast	1200:1		Working Current/Voltage	180Ma/DC+5V±5%
	Visual Angle H/V (°)	178/178		Surface Hardness	Mohs class 7 explosion-proof glass
	Backlight Lifetime (hours)	LED 30,000			
Refrash Rate	60 Hz				
Operation Environment	Operation Temperature	0°C-50°C	Dimension	Machine(cm)	148.49 (W) * 86.04 (H) *8.09 (T)
	Operation Humidity	0% - 90%		Package(cm)	156 (W) * 101 (H) *17.3 (T)
	Storage Temperature	0°C-60°C		Net weight	39kg
	Storage Humidity	0% - 65%		Gross weight	48kg

Power supply parameters	Power Input	110-240V AC 50/60Hz	Included in the Delivery	Manual	* 1
	Standby power consumption	≤0.5W		Wall mount bracket	* 1
	Overall power consumption	<250W		USB&HDMI cable	* 1
				Power cable	* 1

External Connectors



HDMI in	* 1	USB	* 1	VGA	* 1
Power Socket	* 1	Audio in&out	* 1		

Use Case

