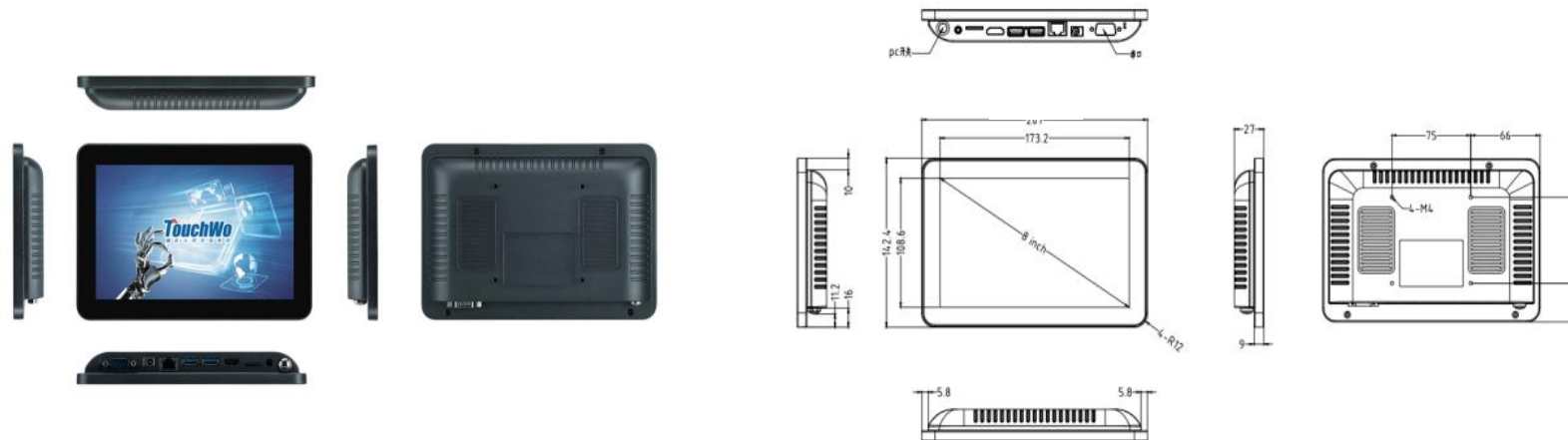


TouchWo®

8" Touchscreen Android PC

Model : JD080

Views & Dimensions



Features

- **Stylish Appearance**
 - New casting mold design , thickness only 27mm
 - Optical bonded PCAP
- **Wall mounted/desktop stand/embedded etc**
- **Full Aluminum Chassis**
 - Corrosion and oxidation resistance
- **Surface IP65 waterproof**

CE FC RoHS

Tech Specs

| LCD Panel | | Touch Panel | |
|---------------------------------|----------------------|-----------------------------|------------------------------------|
| Screen diagonal | 8 inch | Touch technology | PCAP |
| Physical resolution | 1280*800 | Response time | <5ms |
| Aspect ratio | 16:09 | Touch points | 10 points standard |
| Display active screen size (mm) | 173.2 (W) *108.6 (H) | Touch effective recognition | >1.5mm |
| Colours displayed | 16.7M | Scanning Frequency | 200Hz |
| Brightness (cd/m2) | 250 | Scanning accuracy | 4096 * 4096 |
| Contrast | 800:1 | Working Current/Voltage | 180Ma/DC+5V±5% |
| Visual Angle H/V (°) | 175/175 | Surface Hardness | Mohs class 7 explosion-proof glass |
| Backlight Lifetime (hours) | LED 15,000 | | |
| Refrash Rate | 60 Hz | | |

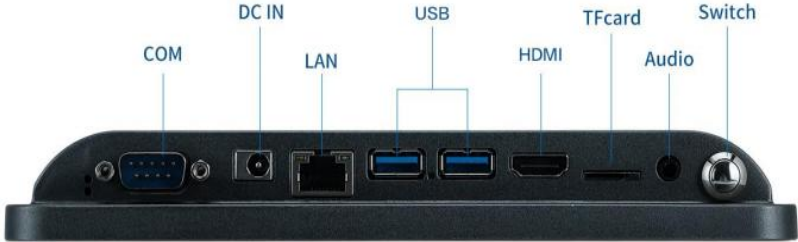
| Operation Environment | | Dimension | |
|-----------------------|-----------|--------------|------------------------------|
| Operation Temperature | 0°C-50°C | Machine(cm) | 20.7 (W) ×14.24 (H) ×2.7 (T) |
| Operation Humidity | 10% - 80% | Package(cm) | 34 (W) ×27.7 (H) ×9.7 (T) |
| Storage Temperature | -5°C-60°C | Net weight | 0.6kg |
| Storage Humidity | 10% - 85% | Gross weight | 1.6kg |

| | | | |
|------------------------------|--|-----------------|------------------|
| CPU | Rockchip RK3568 | Rockchip RK3288 | Rockchip RK3588 |
| Graphic GPU | ARM G52 2EE | Mali-T864 | Mali-G610 |
| Audio | - | - | - |
| Android System Memory | 4G (2G optional) | 2G | 4G (8G optional) |
| Storage | 32G eMMC | 16G eMMC | 64G/128G eMMC |
| Network | 10/100/1000M RJ45, 802.11a/b/g/n/ac Wifi | | |
| Pre-installed OS | Android 11 | Android 9 | Android 12 |

| | | | | |
|--------------------------------|---------------------------|---------------------|---------------------|-----|
| Power supply parameters | Power Input | 110-240V AC 50/60Hz | Manual | * 1 |
| | Power Output | DC 12V3A | Wall mount bracket | * 1 |
| | Standby power consumption | ≤0.5W | WIFI antenna | * 1 |
| | Overall power consumption | <25W | Power Adapter&cable | * 1 |

Included in the Delivery

External Connectors



| | | | | | | | |
|--------------|-----|----------|-----|-------------------|-----|--------------|-----|
| RJ45 Ports | * 1 | USB | * 2 | COM (RS232/RS485) | * 1 | TF Card Slot | * 1 |
| Power Socket | * 1 | HDMI out | * 1 | Audio in&out | * 1 | | |

Use Case

