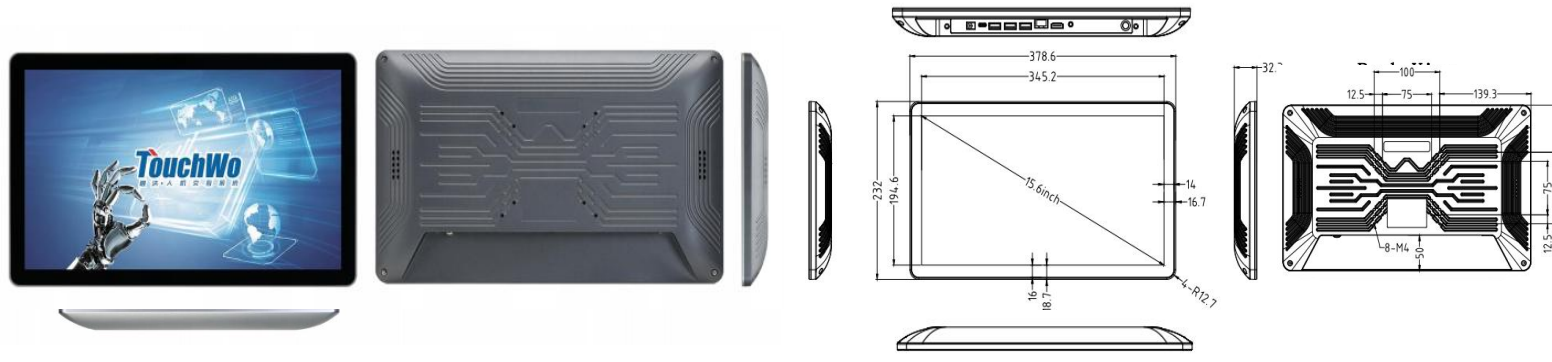


# TouchWo®

## 15.6" Touch Screen PC-ARM

Model : JD156B

### Views & Dimensions



### Features

- **Stylish Appearance**

New casting mold design , thickness only 27mm

Optical bonded PCAP

- Wall mounted/desktop stand/embedded etc

- **Full Aluminum Chassis**

Corrosion and oxidation resistance

- Surface IP65 waterproof

CE FC RoHS

## Tech Specs

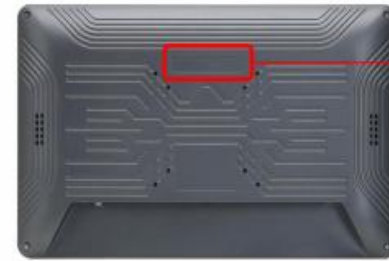
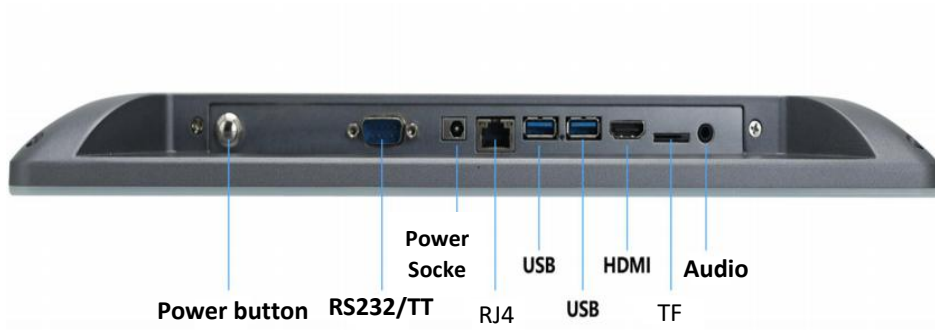
LCD Panel		Touch Panel	
Screen diagonal	15.6 inch	Touch technology	PCAP
Physical resolution	1920*1080	Response time	<5ms
Aspect ratio	16:9	Touch points	10 points standard
Display active screen size (mm)	345.2 (W) *194.6 (H)	Touch effective recognition	>1.5mm
Colours displayed	16.7M	Scanning Frequency	200Hz
Brightness (cd/m2)	250	Scanning accuracy	4096 * 4096
Contrast	800:1	Working Current/Voltage	180Ma/DC+5V±5%
Visual Angle H/V (°)	175/175	Surface Hardness	Mohs class 7 explosion-proof glass
Backlight Lifetime (hours)	LED 15,000		
Refrash Rate	60 Hz		

Operation Environment		Dimension	
Operation Temperature	0°C-50°C	Machine(cm)	37.86 (W) ×23.2 (H) ×32.3 (T)
Operation Humidity	10% - 80%	Package(cm)	52.5 (W) ×31.5 (H) ×10.5 (T)
Storage Temperature	-5°C-60°C	Net weight	1.68kg
Storage Humidity	10% - 85%	Gross weight	2.41kg

	<b>CPU</b>	<b>Rockchip RK3568</b>	<b>Rockchip RK3288/RK3399 Rockchip RK3588</b>	
	<b>Graphic GPU</b>	ARM G52 2EE	Mali-T864	Mali-G610
	<b>Audio</b>	-	-	-
<b>Android System</b>	<b>Memory</b>	4G (2G optional)	4G (2G optional)	4G (8G optional)
	<b>Storage</b>	32G eMMC	16G/32G eMMC	64G/128G eMMC
	<b>Network</b>	10/100/1000M RJ45, 802.11a/b/g/n/ac Wifi		
		Android 11	Android 7.1 / 9	Android 12

	Power Input	110-240V AC 50/60Hz	Manual	* 1
<b>Power supply parameters</b>	Power Output	DC 12V3A	Wall mount bracket	* 1
	Standby power consumption	≤0.5W	WIFI antenna	* 1
	Overall power consumption	<25W	Power Adapter&cable	* 1

**Included in the Delivery**



RJ45 Ports	* 1	USB	* 2	Type-C	* 1	TF	* 1
Power Socket	* 1	HDMI out	* 1	Audio in&out	* 1	RS232/TTL	* 1

## Use Case

