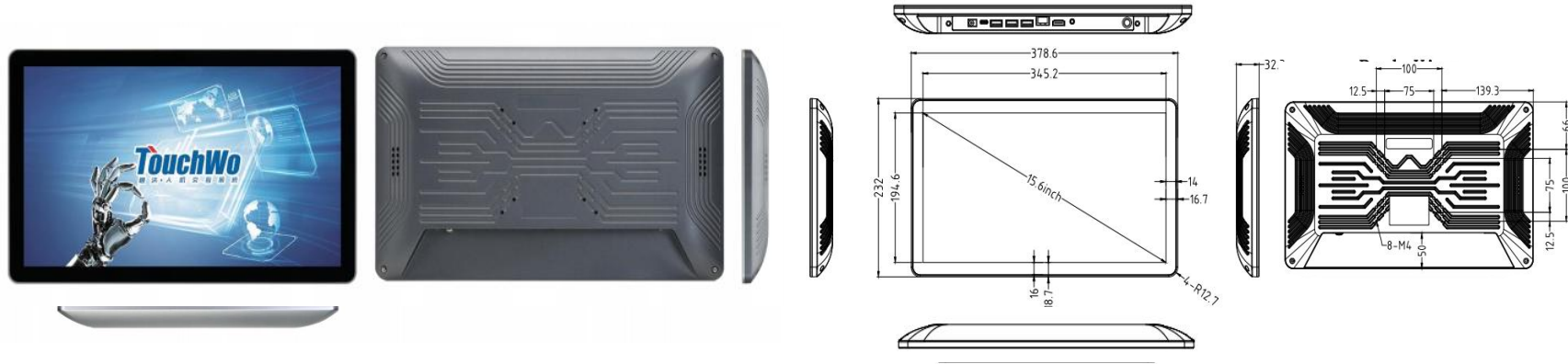


# TouchWo®

## 15.6" Touch Screen Monitor

Model : JD156B

### Views & Dimensions



## Features

- **Stylish Appearance**

New casting mold design , thickness only 27mm

Optical bonded PCAP

- **Wall mounted/desktop stand/embedded etc**

- **Full Aluminum Chassis**

Corrosion and oxidation resistance

- **Surface IP65 waterproof**



## Tech Specs

### LCD Panel

<b>Screen diagonal</b>	15.6 inch
<b>Physical resolution</b>	1920*1080
<b>Aspect ratio</b>	16:9
<b>Display active screen size (mm)</b>	345.2 (W) *194.6 (H)
<b>Colours displayed</b>	16.7M
<b>Brightness (cd/m2)</b>	250
<b>Contrast</b>	800:1
<b>Visual Angle H/V (°)</b>	175/175
<b>Backlight Lifetime (hours)</b>	LED 15,000
<b>Refrash Rate</b>	60 Hz

### Touch Panel

<b>Touch technology</b>	PCAP
<b>Response time</b>	<5ms
<b>Touch points</b>	10 points standard
<b>Touch effective recognition</b>	>1.5mm
<b>Scanning Frequency</b>	200Hz
<b>Scanning accuracy</b>	4096 * 4096
<b>Working Current/Voltage</b>	180Ma/DC+5V±5%
<b>Surface Hardness</b>	Mohs class 7 explosion-proof glass

Operation Environment			
<b>Operation Temperature</b>	0°C-50°C	<b>Machine(cm)</b>	37.86 (W) ×23.2 (H) ×32.3 (T)
<b>Operation Humidity</b>	10% - 80%	<b>Package(cm)</b>	52.5 (W) ×31.5 (H) ×10.5 (T)
<b>Storage Temperature</b>	-5°C-60°C	<b>Net weight</b>	1.68kg
<b>Storage Humidity</b>	10% - 85%	<b>Gross weight</b>	2.41kg

Power supply parameters			
Power Input	110-240V AC 50/60Hz	<b>Included in the Delivery</b>	Manual * 1
Power Output	DC 12V3A		Wall mount bracket * 1
Standby power consumption	≤0.5W		WIFI antenna * 1
Overall power consumption	<25W		Power Adapter&cable * 1



USB \* 1  
 Power Socket \* 1  
 HDMI out \* 1  
 Audio in&out \* 1  
 VGA \* 1

## Use Case

