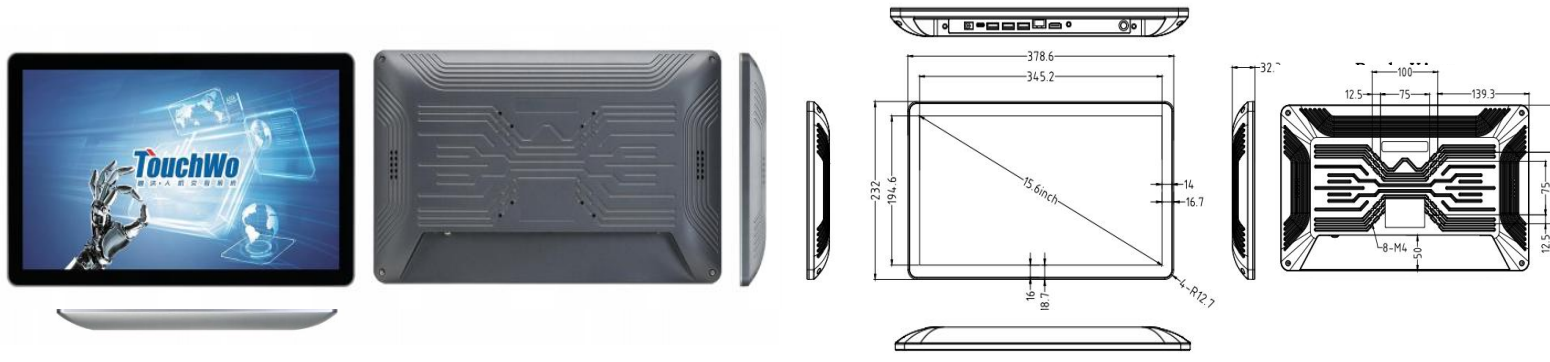


TouchWo®

15.6" Touch Screen PC-X86

Model : JD156B

Views & Dimensions



Features

- **Stylish Appearance**

New casting mold design , thickness only 27mm

Optical bonded PCAP

- **Wall mounted/desktop stand/embedded etc**

- **Full Aluminum Chassis**

Corrosion and oxidation resistance

- **Surface IP65 waterproof**

CE FC RoHS

Tech Specs

| | | | | | |
|-----------------------|---------------------------------|----------------------|-------------|-----------------------------|------------------------------------|
| LCD Panel | Screen diagonal | 15.6 inch | Touch Panel | Touch technology | PCAP |
| | Physical resolution | 1920*1080 | | Response time | <5ms |
| | Aspect ratio | 16:9 | | Touch points | 10 points standard |
| | Display active screen size (mm) | 345.2 (W) *194.6 (H) | | Touch effective recognition | >1.5mm |
| | Colours displayed | 16.7M | | Scanning Frequency | 200Hz |
| | Brightness (cd/m2) | 250 | | Scanning accuracy | 4096 * 4096 |
| | Contrast | 800:1 | | Working Current/Voltage | 180Ma/DC+5V±5% |
| | Visual Angle H/V (°) | 175/175 | | Surface Hardness | Mohs class 7 explosion-proof glass |
| | Backlight Lifetime (hours) | LED 15,000 | | | |
| Refresh Rate | 60 Hz | | | | |
| | | | | | |
| Operation Environment | Operation Temperature | 0°C-50°C | Dimension | Machine(cm) | 37.86 (W) ×23.2 (H) ×32.3 (T) |
| | Operation Humidity | 10% - 80% | | Package(cm) | 52.5 (W) ×31.5 (H) ×10.5 (T) |
| | Storage Temperature | -5°C-60°C | | Net weight | 1.68kg |
| | Storage Humidity | 10% - 85% | | Gross weight | 2.41kg |

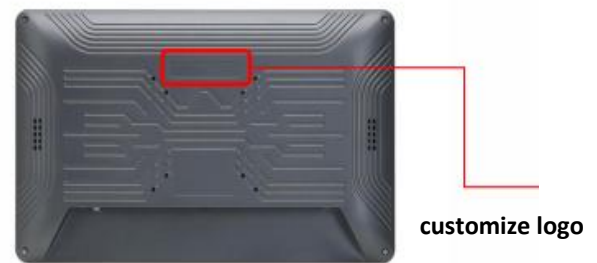


| | |
|-------------------------|--|
| CPU | N100 |
| Graphic GPU | Intel® UHD Graphics |
| Audio | - |
| Memory | 4G (8G optional) |
| Storage | mSATA-64GB/128GB/256GB/512GB |
| Network | 10/100/1000M RJ45, 802.11a/b/g/n/ac Wifi |
| Pre-installed OS | Windows 10 /11/Linux |

PC System-
Windows



| | | | | |
|--------------------------------|---------------------------|---------------------|---------------------------------|-----|
| Power supply parameters | Power Input | 110-240V AC 50/60Hz | Manual | * 1 |
| | Power Output | DC 12V3A | Wall mount bracket | * 1 |
| | Standby power consumption | ≤0.5W | WIFI antenna | * 1 |
| | Overall power consumption | <25W | Power Adapter&cable | * 1 |
| | | | Included in the Delivery | |



- RJ45 Ports * 1
- Power Socket * 1
- USB * 3
- HDMI out * 1
- Type-C * 1
- Audio in&out * 1
- Power button * 1

Use Case

