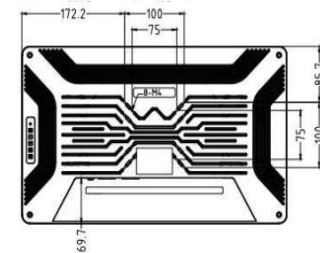
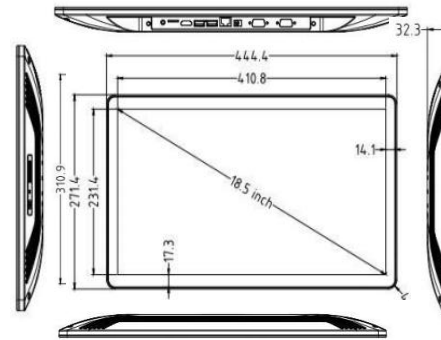


TouchWo®

18.5" Touch Screen PC-ARM

Model : JD185B

Views & Dimensions



Features

- Stylish Appearance

New casting mold design , thickness only 27mm

Optical bonded PCAP

- Wall mounted/desktop stand/embedded etc

- Full Aluminum Chassis

Corrosion and oxidation resistance

- LED Light

CE FC RoHS

Tech Specs

LCD Panel	Screen diagonal	18.5 inch	Touch Panel	Touch technology	PCAP
	Physical resolution	1920*1080		Response time	<5ms
	Aspect ratio	16:9		Touch points	10 points standard
	Display active screen size (mm)	410.8 (W) *231.4 (H)		Touch effective recognition	>1.5mm
	Colours displayed	16.7M		Scanning Frequency	200Hz
	Brightness (cd/m2)	250		Scanning accuracy	4096 * 4096
	Contrast	1000:1		Working Current/Voltage	180Ma/DC+5V±5%
	Visual Angle H/V (°)	175/175		Surface Hardness	Mohs class 7 explosion-proof glass
	Backlight Lifetime (hours)	WLED 30,000			
	Refrash Rate	60 Hz			

LED Light	Color	RGB
	Light Control	SDK secondary development, custom color control.



Operation Environment	Operation Temperature	0°C-50°C	Dimension	Machine(cm)	44.4 (W) ×27.1 (H) ×32.3 (T)
	Operation Humidity	10% - 80%		Package(cm)	52 (W) ×45 (H) ×15 (T)
	Storage Temperature	-5°C-60°C		Net weight	2.4kg
	Storage Humidity	10% - 85%		Gross weight	3.6kg



	CPU	Rockchip RK3568	Rockchip RK3288/RK3399	Rockchip RK3588
	Graphic GPU	ARM G52 2EE	Mali-T864	Mali-G610
	Audio	-	-	-
Android System	Memory	4G (2G optional)	4G (2G optional)	4G (8G optional)
	Storage	32G eMMC	16G/32G eMMC	64G/128G eMMC
	Network		10/100/1000M RJ45, 802.11a/b/g/n/ac Wifi	
		Android 11	Android 7.1 / 9	Android 12



	Power Input	110-240V AC 50/60Hz	Manual	* 1
Power supply parameters	Power Output	DC 12V3A	Wall mount bracket	* 1
	Standby power consumption	≤0.5W	WIFI antenna	* 1
	Overall power consumption	<25W	Power Adapter&cable	* 1

Included in the Delivery



COM COM RJ4 HDMI Audio
 COM DC12V USB TF



customize logo

RJ45 Ports	* 1	USB	* 2	TF	* 1	COM	* 2
DC 12V	* 1	HDMI out	* 1	Audio in&out	* 1		

Use Case

