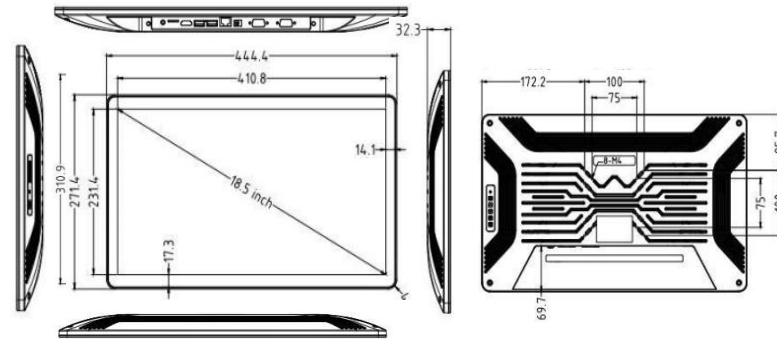


TouchWo®

18.5" Touch Screen PC-X86

Model : JD185B

Views & Dimensions



Features

- Stylish Appearance

New casting mold design , thickness only 27mm

Optical bonded PCAP

- Wall mounted/desktop stand/embedded etc

- Full Aluminum Chassis

Corrosion and oxidation resistance

- Surface IP65 waterproof

CE FC RoHS

Tech Specs

LCD Panel		Touch Panel	
Screen diagonal	18.5 inch	Touch technology	PCAP
Physical resolution	1920*1080	Response time	<5ms
Aspect ratio	16:9	Touch points	10 points standard
Display active screen size (mm)	410.8 (W) *231.4 (H)	Touch effective recognition	>1.5mm
Colours displayed	16.7M	Scanning Frequency	200Hz
Brightness (cd/m2)	250	Scanning accuracy	4096 * 4096
Contrast	1000:1	Working Current/Voltage	180Ma/DC+5V±5%
Visual Angle H/V (°)	175/175	Surface Hardness	Mohs class 7 explosion-proof glass
Backlight Lifetime (hours)	WLED 30,000		
Refrash Rate	60 Hz		

Operation Environment		Dimension	
Operation Temperature	0°C-50°C	Machine(cm)	44.4 (W) ×27.1 (H) ×32.3 (T)
Operation Humidity	10% - 80%	Package(cm)	52 (W) ×45 (H) ×15 (T)
Storage Temperature	-5°C-60°C	Net weight	2.4kg
Storage Humidity	10% - 85%	Gross weight	3.6kg

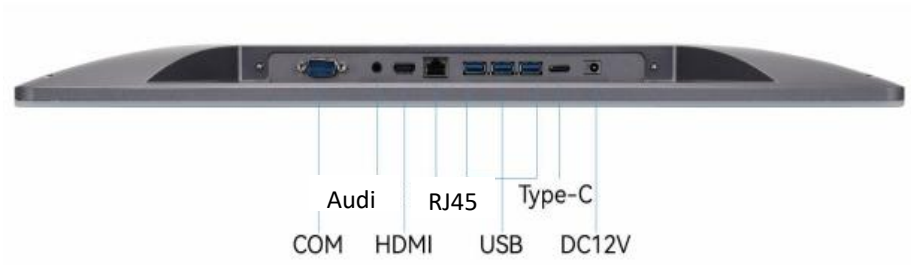


CPU	N100
Graphic GPU	Intel® UHD Graphics
Audio	-
Memory	4G (8G optional)
Storage	mSATA-64GB/128GB/256GB/512GB
Network	10/100/1000M RJ45, 802.11a/b/g/n/ac Wifi
Pre-installed OS	Windows 10 /11/Linux

PC System-
Windows



Power supply parameters	Power Input	110-240V AC 50/60Hz	Manual	* 1
	Power Output	DC 12V3A	Wall mount bracket	* 1
	Standby power consumption	≤0.5W	WIFI antenna	* 1
	Overall power consumption	<25W	Power Adapter&cable	* 1
			Included in the Delivery	



RJ45 Ports	* 1	USB	* 3	Type-C	* 1	COM	* 1
DC 12V	* 1	HDMI out	* 1	Audio in&out	* 1		

Use Case

