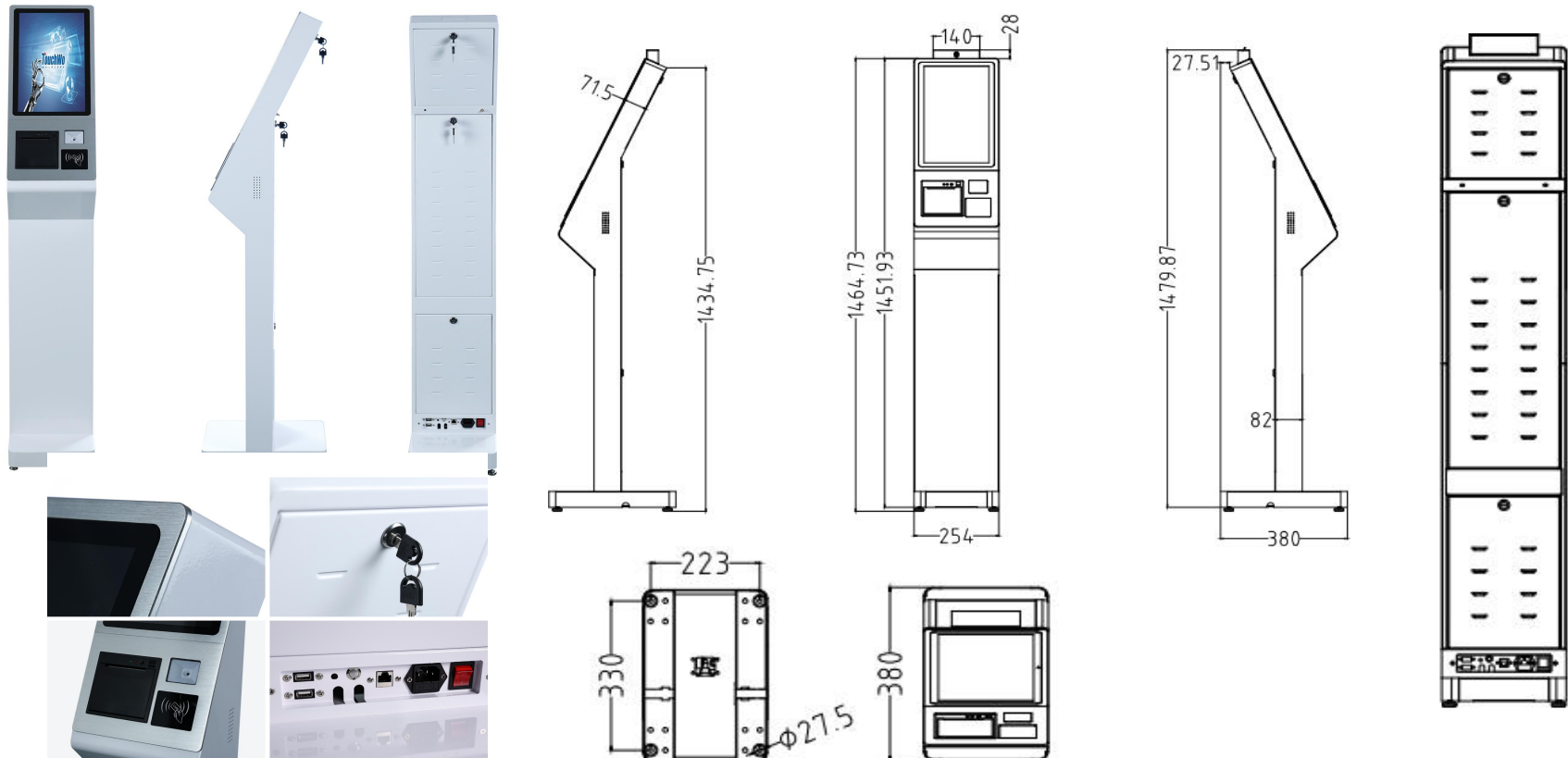




15.6" Android Floor Stand Touch Kiosk

Model: KD156B

Views & Dimensions



Features

● 24/7 Commercial Use

Industrial-grade Power Supply

30,000-hours extended life LCD display

● Android / Windows Optional

Android 11 default, High-end spec optional

Latest Celeron J6412 default

i5 12Gen Optional

● Free Customization

Multiple peripheral configurations available

Integrate your own POS terminal

● Easy Mobility or Floor Mount

Optional wheels for easy mobility

Optional with pre-drilled holes for floor mounting



Tech Specs

| | | Optional | | |
|----------------|-------------------------|---|---|---|
| Android System | CPU | Rockchip RK3568 | Rockchip RK3288 | Rockchip RK3588 |
| | Graphic GPU | ARM G52 2EE | Mali-T864 | Mali-G610 |
| | Audio | - | - | - |
| | Memory | 4G (4G optional) | 2G | 4G (8G optional) |
| | Storage | 32G eMMC | 16G eMMC | 64G/128G eMMC |
| | Network | 10/100M RJ45, 802.11 a/b/g/n/ac Wifi | 100/1000M RJ45, 802.11 a/b/g/n/ac Wifi | 100/1000M RJ45, 802.11 a/b/g/n/ac Wifi |
| | Pre-installed OS | Android 11 | Android 9 | Android 12 |

LCD Panel

| | |
|--|------------------------|
| Screen diagonal | 15.6 inch |
| Physical resolution | 1920*1080 |
| Aspect ratio | 16:9 |
| Display active screen size (mm) | 344.16 (W) *193.59 (H) |
| Colours displayed | 16.7M |
| Brightness (cd/m2) | 250 |
| Contrast | 800:1 |
| Visual Angle H/V (°) | 175/175 |
| Backlight Lifetime (hours) | LED 15,000 |
| Refrash Rate | 60 Hz |

Touch Panel

| | |
|------------------------------------|------------------------------------|
| Touch technology | PCAP |
| Response time | <5ms |
| Touch points | 10 points standard |
| Touch effective recognition | >1.5mm |
| Scanning Frequency | 200Hz |
| Scanning accuracy | 4096 * 4096 |
| Working Current/Voltage | 180Ma/DC+5V±5% |
| Surface Hardness | Mohs class 7 explosion-proof glass |

| | | | | | |
|------------------------------|------------------------------|-----------|------------------|---------------------|-------------------------------|
| Operation Environment | Operation Temperature | 0°C-50°C | Dimension | Machine(cm) | 25.4 (W) * 146.47 (H) *38 (T) |
| | Operation Humidity | 0% - 80% | | Package(cm) | 33.5 (W) * 160 (H) *48 (T) |
| | Storage Temperature | -5°C-60°C | | Net weight | 20.1 kg |
| | Storage Humidity | 10% - 85% | | Gross weight | 25.6 kg |

| | | | | | |
|--------------------------------|----------------------------------|----------------------|-------------------|---------------------|----|
| Power supply parameters | Power Input | 110-240V AC 50/60Hz | Connectors | RJ45 Ports | *1 |
| | Power Output | DC 12V5A | | Power Socket | *1 |
| | Standby power consumption | ≤0.5W | | USB 2.0 | *2 |
| | Overall power consumption | Android<30W, X86<48W | | | |

| | | |
|---------------------------------|-----------------------|----|
| Included in the Delivery | Manual | *1 |
| | WIFI antenna | *1 |
| | Key | *2 |
| | AC Power cable | *1 |

Peripherals

The KD156B Kiosk comes equipped with a high-speed thermal printer, a QR code scanner, and an RFID card reader. Its versatile design allows for compatibility with a wide range of peripherals, and the option to customize with or without specific devices. With a short customization period ranging from 7 to 35 days, delivery can be completed efficiently.



Thermal Printer

| | |
|----------------|---------------|
| Model | MS-E801 |
| Printing Speed | 250MM/S(MAX) |
| Printing Width | 72MM |
| Paper Width | 80MM(MAX) |
| Resolution | 576dots/line |
| Paper Roll | Dia 80MM(MAX) |
| Paper Cut | Auto Cut |

Barcode Scanner

| | |
|----------------------|---------------------------------------|
| Model | EMT8020 |
| Resolution | 640*480 COMS |
| Recognition Accuracy | 5mil |
| Field of View | Horizontal 68°, Vertical 51° |
| 2D Codes | PDF417, QR Code, DataMatrix, etc |
| 1D Codes | Code 128, EAN-13, EAN-8, Code 39, etc |

RFID card reader

| | |
|------------------|------------------------------------|
| Model | M11 |
| Frequency: | IC Mifare1/; CPU/TypeA; 14443A |
| Protocols: | IC/ID |
| Supported Cards: | 80MM(MAX) |
| Functions: | Read/Write IC cards, Read ID cards |

More Options for customization



Fingerprint Sensor



Metal Keyboard



Card Dispenser



Payment terminal



Camera



NFC-Payment



4G LTE



Battery-UPS

Use Case

