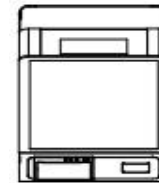
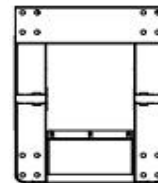
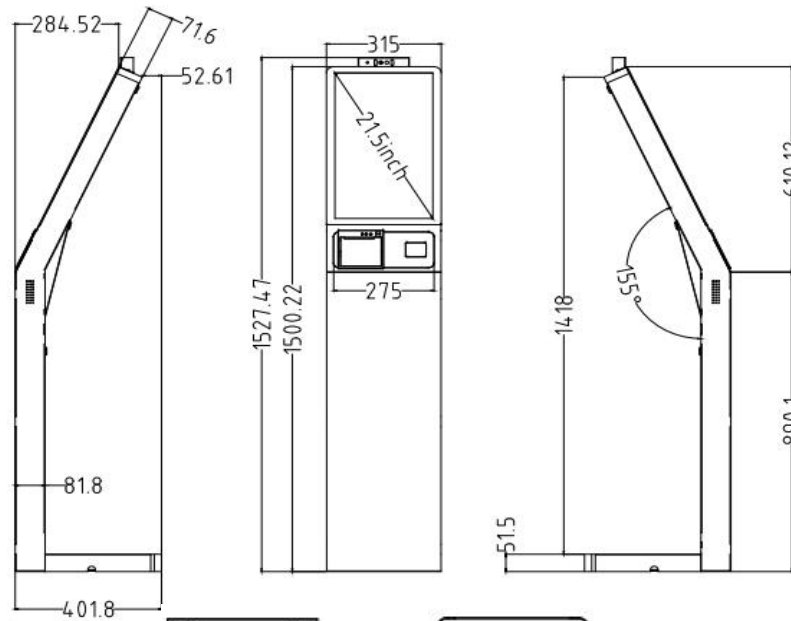




21.5" Monitor- Floor Stand Touch Kiosk

Model: KD215B-010

Views & Dimensions



Features

- **24/7 Commercial Use**

Industrial-grade Power Supply
30,000-hours extended life LCD display

- **Android / Windows Optional**

Android 11 default, High-end spec optional
Latest Celeron J6412 default
i5 12Gen Optional

- **Free Customization**

Multiple peripheral configurations available
Integrate your own POS terminal

- **Easy Mobility or Floor Mount**

Optional wheels for easy mobility
Optional with pre-drilled holes for floor mounting



Tech Specs

LCD Panel	Screen diagonal	21.5inch	Touch Panel	Touch technology	PCAP
	Physical resolution	1920*1080		Response time	<5ms
	Aspect ratio	16:9		Touch points	10 points standard
	Display active screen size (mm)	477.6 * 269.1		Touch effective recognition	>1.5mm
	Colours displayed	16.7M		Scanning Frequency	200Hz
	Brightness (cd/m2)	300		Scanning accuracy	4096 * 4096

Contrast 1000:01:00
Visual Angle H/V (°) 175/175
Backlight Lifetime (hours) LED 30,000
Refresh Rate 60 Hz

Working Current/Voltage 180Ma/DC+5V±5%

Surface Hardness Mohs class 7 explosion-proof glass

Operation Environment

Operation Temperature 0°C-50°C
Operation Humidity 0% - 90%
Storage Temperature 0°C-60°C
Storage Humidity 0% - 65%

Dimension

Machine(cm) 31.5 (W) * 152.27 (H) *40.18 (T)
Package(cm) 53 (W) * 158.5 (H) *46 (T)
Net weight 23 kg
Gross weight 27.2 kg

Power supply parameters	Power Input	110-240V AC 50/60Hz	Connectors	Power Socket	*1
	Power Output	DC 12V4A		USB 2.0	*1
	Standby power consumption	≤0.5W			
	Overall power consumption	Android<36W, *86<48W			

Included in the Delivery	Manual	*1
	Key	*2
	AC Power cable	*1

Peripherals

The KD215B-010 Kiosk comes equipped with a high-speed thermal printer, a QR code scanner, and an RFID card reader. Its versatile design allows for compatibility with a wide range of peripherals, and the option to customize with or without specific devices. With a short customization period ranging from 7 to 35 days, delivery can be completed efficiently.



Thermal Printer

Model	MS-E80I
Printing Speed	250MM/S(MAX)
Printing Width	72MM
Paper Width	80MM(MAX)
Resolution	576dots/line
Paper Roll	Dia 80MM(MAX)
Paper Cut	Auto Cut



Barcode Scanner

Model	EMT8020
Resolution	640*480 COMS
Recognition Accuracy	5mil
Field of View	Horizontal 68°, Vertical 51°
2D Codes	PDF417, QR Code, DataMatrix, etc
1D Codes	Code 128, EAN-13, EAN-8, Code 39, etc



RFID card reader

Model	M11
Frequency:	IC Mifare1/; CPU/TypeA; 14443A
Protocols:	IC/ID
Supported Cards:	80MM(MAX)
Functions:	Read/Write IC cards, Read ID cards

More Options for customization



Fingerprint Sensor



Metal Keyboard



Card Dispenser



Payment terminal



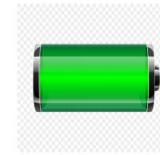
Camera



NFC-Payment



4G LTE



Battery-UPS

Use Case

