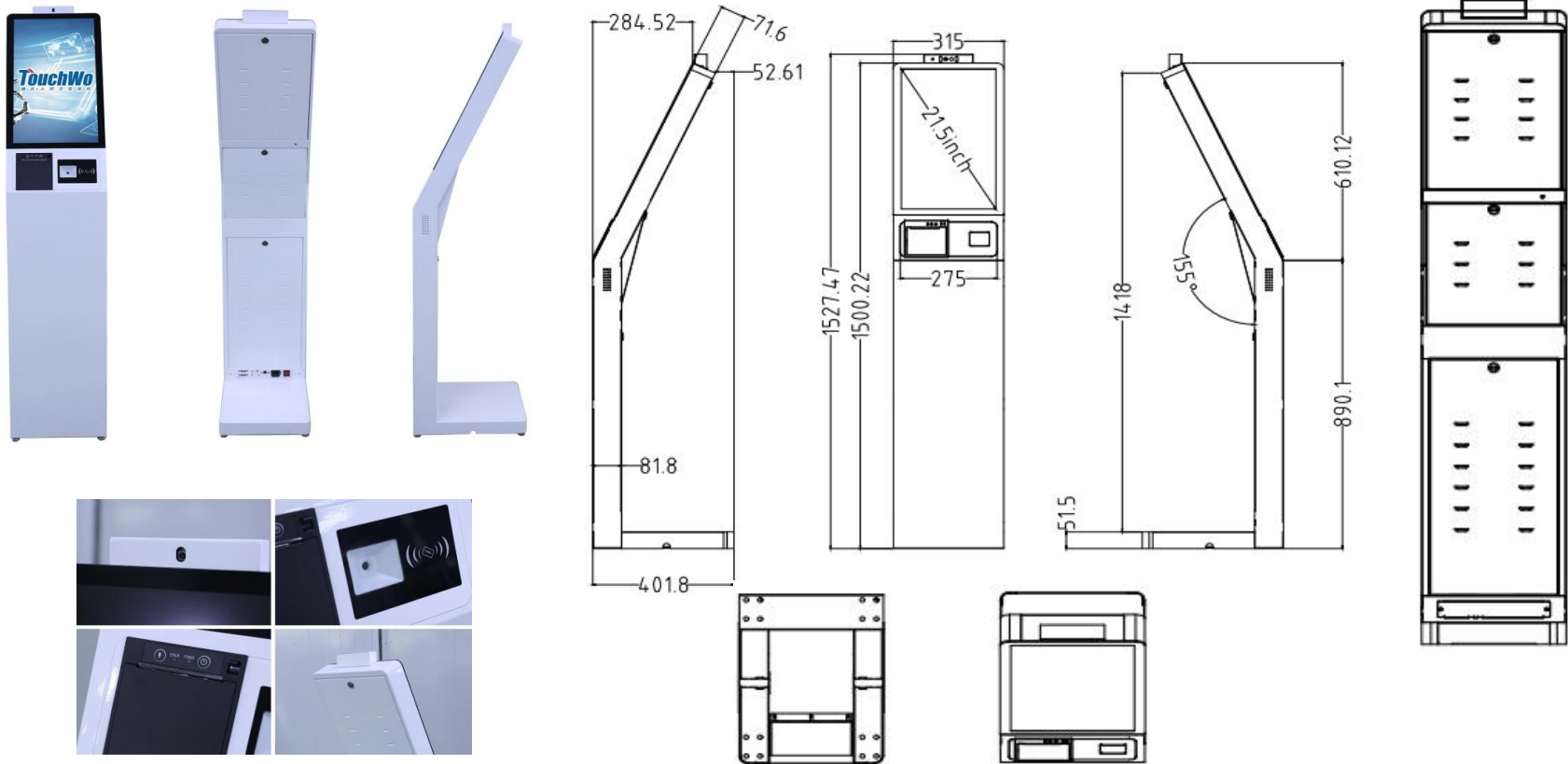




# 21.5" X86 Floor Stand Touch Kiosk

Model: KD215B-010

## Views & Dimensions



## Features

### ● 24/7 Commercial Use

Industrial-grade Power Supply

30,000-hours extended life LCD display

### ● Android / Windows Optional

Android 11 default, High-end spec optional

Latest Celeron J6412 default

i5 12Gen Optional

### ● Free Customization

Multiple peripheral configurations available

Integrate your own POS terminal

### ● Easy Mobility or Floor Mount

Optional wheels for easy mobility

Optional with pre-drilled holes for floor mounting



## Tech Specs

### PC System- Windows

		Optional	
<b>CPU</b>	Intel Celeron® <b>J6412</b>	Intel® Core™ <b>i5-8Gens</b>	Intel® Core™ <b>i7-10Gens</b>
<b>Graphic GPU</b>	Intel® UHD Graphics	Intel® Iris® Plus Graphics 645	Intel® UHD Graphics
<b>Audio</b>	HD Audio: ALC269	HD Audio: ALC269	HD Audio: ALC269
<b>Memory</b>	DDR4-2666MHz-SODIMM-4G	DDR4-2666MHz-SODIMM-8G	DDR4-2666MHz-SODIMM-16G
<b>Storage</b>	mSATA-128GB	mSATA-256GB	mSATA-512GB
<b>Network</b>	10/100/1000M RJ45, 802.11a/b /g/n/ac Wifi	10/100/1000M RJ45, 802.11a/b/ g/n/ac Wifi	10/100/1000M RJ45, 802.11a/b/g/n/ac Wifi
<b>Pre-installed OS</b>	Windows 10 /11/Linux	Windows 10 /11/Linux	Windows 10 /11/Linux

**LCD Panel**

<b>Screen diagonal</b>	21.5inch
<b>Physical resolution</b>	1920*1080
<b>Aspect ratio</b>	16:9
<b>Display active screen size (mm)</b>	477.6 * 269.1
<b>Colours displayed</b>	16.7M
<b>Brightness (cd/m2)</b>	300
<b>Contrast</b>	1000:01:00
<b>Visual Angle H/V (°)</b>	175/175
<b>Backlight Lifetime (hours)</b>	LED 30,000
<b>Refrash Rate</b>	60 Hz

**Touch Panel**

<b>Touch technology</b>	PCAP
<b>Response time</b>	<5ms
<b>Touch points</b>	10 points standard
<b>Touch effective recognition</b>	>1.5mm
<b>Scanning Frequency</b>	200Hz
<b>Scanning accuracy</b>	4096 * 4096
<b>Working Current/Voltage</b>	180Ma/DC+5V±5%
<b>Surface Hardness</b>	Mohs class 7 explosion-proof glass

<b>Operation Environment</b>	<b>Operation Temperature</b>	0°C-50°C	<b>Dimension</b>	<b>Machine(cm)</b>	31.5 (W) * 152.27 (H) *40.18 (T)
	<b>Operation Humidity</b>	0% - 90%		<b>Package(cm)</b>	53 (W) * 158.5 (H) *46 (T)
	<b>Storage Temperature</b>	0°C-60°C		<b>Net weight</b>	23 kg
	<b>Storage Humidity</b>	0% - 65%		<b>Gross weight</b>	27.2 kg

<b>Power supply parameters</b>	<b>Power Input</b>	110-240V AC 50/60Hz	<b>Connectors</b>	<b>RJ45 Ports</b>	*1
	<b>Power Output</b>	DC 12V4A		<b>Power Socket</b>	*1
	<b>Standby power consumption</b>	≤0.5W		<b>USB 2.0</b>	*2
	<b>Overall power consumption</b>	Android<36W, *86<48W			

<b>Included in the Delivery</b>	<b>Manual</b>	*1
	<b>WIFI antenna</b>	*1
	<b>Key</b>	*2
	<b>AC Power cable</b>	*1

## Peripherals

The KD215B-010 Kiosk comes equipped with a high-speed thermal printer, a QR code scanner, and an RFID card reader. Its versatile design allows for compatibility with a wide range of peripherals, and the option to customize with or without specific devices. With a short customization period ranging from 7 to 35 days, delivery can be completed efficiently.



#### Thermal Printer

Model	MS-E801
Printing Speed	250MM/S(MAX)
Printing Width	72MM
Paper Width	80MM(MAX)
Resolution	576dots/line
Paper Roll	Dia 80MM(MAX)
Paper Cut	Auto Cut



#### Barcode Scanner

Model	EMT8020
Resolution	640*480 COMS
Recognition Accuracy	5mil
Field of View	Horizontal 68°, Vertical 51°
2D Codes	PDF417, QR Code, DataMatrix, etc
1D Codes	Code 128, EAN-13, EAN-8, Code 39, etc



#### RFID card reader

Model	M11
Frequency:	IC Mifare1/; CPU/TypeA; 14443A
Protocols:	IC/ID
Supported Cards:	80MM(MAX)
Functions:	Read/Write IC cards, Read ID cards

## More Options for customization



Fingerprint Sensor



Metal Keyboard



Card Dispenser



Payment terminal



Camera



NFC-Payment



4G LTE



Battery-UPS

## Use Case

