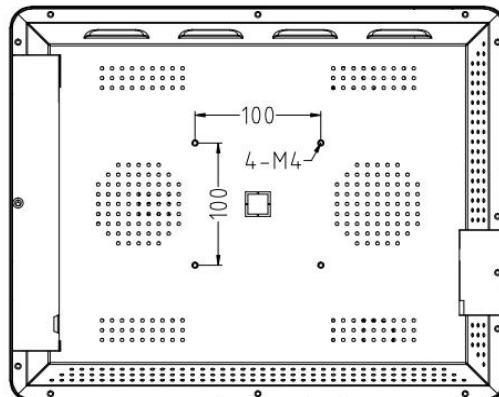
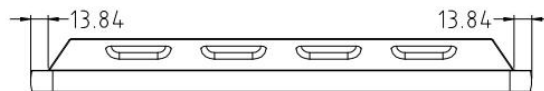
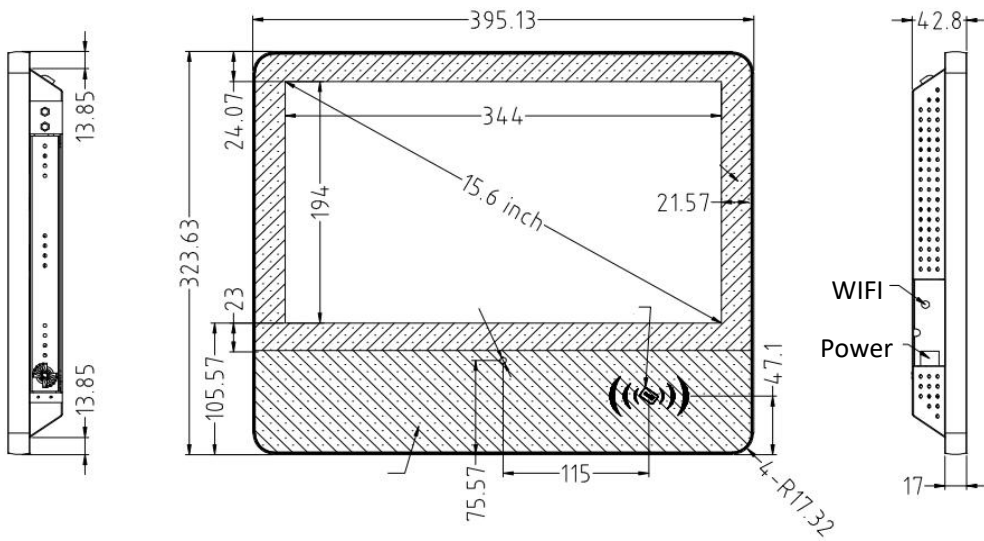
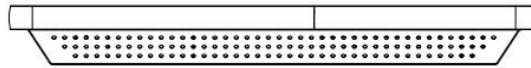


# 15.6' Wall Mounting Touch Kiosk(X86)



### 24/7 Commercial Use

Industrial-grade Power Supply  
30,000-hour extended life LCD display

### Android / Windows Optional

Android 11 default, High-end spec optional  
Latest Celeron J6412 default  
i5 12Gen Optional

### Free customization

Multiple IC card readers to choose from  
Camera

### Easy wall mount or Floor Mount

Wall mount bracket by default  
Optional with pre-drilled holes for floor mounting

## PC System- Windows

CPU	Intel Celeron® J6412	Intel® Core™ i5-8257U	Intel® Core™ i7-10510U
Graphic GPU	Intel® UHD Graphics	Intel® Iris® Plus Graphics 645	Intel® UHD Graphics
Audio	HD Audio: ALC269	HD Audio: ALC269	HD Audio: ALC269
Memory	DDR4-2666MHz-SODIMM-8G	DDR4-2666MHz-SODIMM-8G	DDR4-2666MHz-SODIMM-8G
Storage	mSATA-128GB	mSATA-256GB	mSATA-256GB
Network	10/100/1000M RJ45, 802.11a/b/g/n/ac Wifi	10/100/1000M RJ45, 802.11a/b/g/n/ac Wifi	10/100/1000M RJ45, 802.11a/b/g/n/ac Wifi
Pre-installed OS	Windows 10 Enterprise 2019 LTSC	Windows 10 Enterprise 2019 LTSC	Windows 10 Enterprise 2019 LTSC

### LCD Panel

Screen diagonal	15.6inch
Display active screen size (mm)	344 * 194mm
Aspect ratio	16:9
Physical resolution	1920*1080
Colours displayed	16.7M
Brightness (cd/m <sup>2</sup> )	≥250
Contrast	1000:1
Visual Angle H/V (°)	178/178
Backlight Lifetime (hours)	LED 30,000
Refresh Rate	60 Hz

### Touch Panel

Touch technology	PCAP
Response time	<5ms
Touch points	10 points standard
Touch effective recognition	>1.5mm
Scanning Frequency	200Hz
Scanning accuracy	4096*4096
Working Current/Voltage	180Ma/DC+5V±5%
Surface Hardness	Mohs class 7 explosion-proof glass

### Operation Environment

Operation Temperature	0℃-50℃
Operation Humidity	10% - 80%
Storage Temperature	-5℃-60℃
Storage Humidity	10% - 85%

### Dimension

Machine(mm)	395.1 (W) × 323.6 (H) × 42.8 (T) mm
Package(mm)	475 (W) × 450 (H) × 145 (T) mm
Net weight	4.8KG
Gross weight	6.3KG

### Power supply parameters

Power Input	110-240V AC 50/60Hz
Power Output	DC 12V 5A
Standby power consumption	≤0.5W
Overall power consumption	Android < 36W, X86 < 48W

### External Connectors

RJ45 Ports	x1
Power Socket	x1
USB 2.0	x4

### Included in the Delivery

Manual	x1
WIFI antenna	x1
Wall mount bracket	x1
AC Power cable	x1

## Use Case



## Peripherals

The GD 156 Kiosk comes equipped with an RFID card reader and camera. With a short customization period ranging from 7 to 35 days, delivery can be completed efficiently.



### RFID card reader

Model M11  
Frequency: IC Mifare1/; CPU/TypeA; 14443A  
Protocols: IC/ID  
Supported Ca80MM(MAX)  
Functions: Read/Write IC cards, Read ID cards



### Camera

Pixel 2MP/5MP options  
Functions: Take pictures/Face recognition