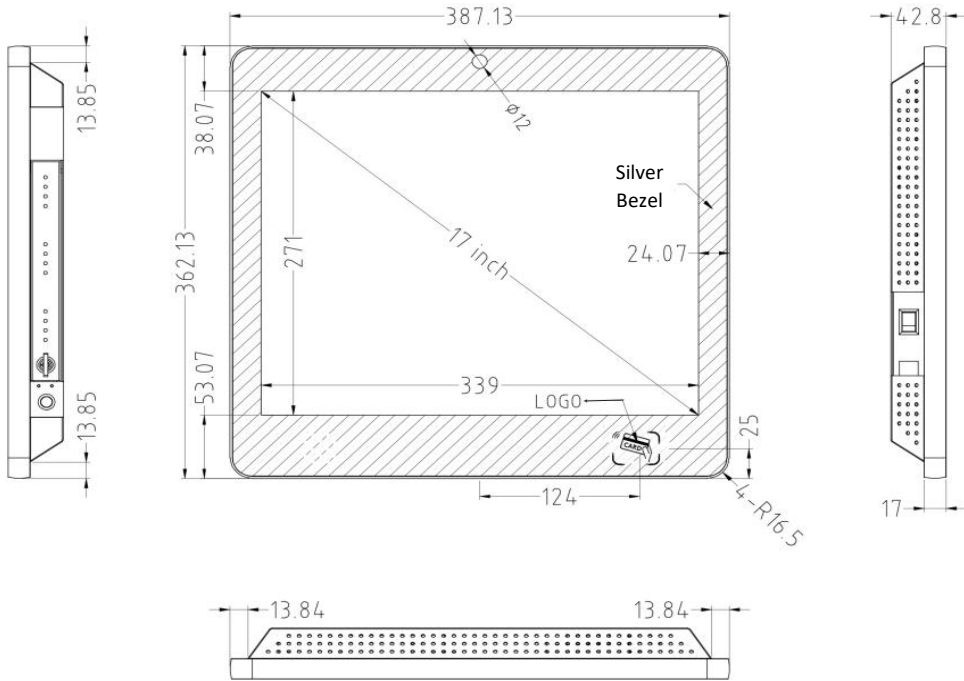
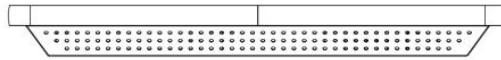
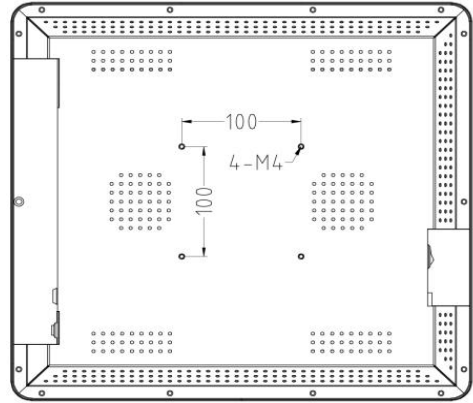


17' Wall Mounting Touch Kiosk(ARM)



● 24/7 Commercial Use

Industrial-grade Power Supply
30,000-hour extended life LCD display

● Android / Windows Optional

Android 11 default, High-end spec optional
Latest Celeron J6412 default
i5 12Gen Optional

● Free customization

Multiple IC card readers to choose from
Camera

● Easy wall mount or Floor Mount

Wall mount bracket by default
Optional with pre-drilled holes for floor mounting

Android System

	Rockchip RK3568	Rockchip RK3399	Rockchip RK3588
CPU	Rockchip RK3568	Rockchip RK3399	Rockchip RK3588
Graphic GPU	ARM G52 2EE	Mali-T864	Mali-G610
Memory	2G (4G optional)	4G	4G (8G optional)
Storage	32G eMMC	64G eMMC	64G/128G eMMC
Network	10/100M RJ45, 802.11 a/b/g/n/ac Wifi	100/1000M RJ45, 802.11 a/b/g/n/ac Wifi	100/1000M RJ45, 802.11 a/b/g/n/ac Wifi
Pre-installed OS	Android 11	Android 9	Android 12

LCD Panel

Screen diagonal	17inch
Display active screen size (mm)	339 * 271mm
Aspect ratio	4:3
Physical resolution	1280*1024
Colours displayed	16.7M
Brightness (cd/m2)	≥250
Contrast	1000:1
Visual Angle H/V (°)	178/178
Backlight Lifetime (hours)	LED 30,000
Refresh Rate	60 Hz

Touch Panel

Touch technology	PCAP
Response time	<5ms
Touch points	10 points standard
Touch effective recognition	>1.5mm
Scanning Frequency	200Hz
Scanning accuracy	4096×4096
Working Current/Voltage	180Ma/DC+5V±5%
Surface Hardness	Mohs class 7 explosion-proof glass

Operation Environment

Operation Temperature	0℃-50℃
Operation Humidity	10% - 80%
Storage Temperature	-5℃-60℃
Storage Humidity	10% - 85%

Dimension

Machine(mm)	387.13 (W) × 362.13 (H) × 42.8 (T) mm
Package(mm)	430 (W) × 445 (H) × 145 (T) mm
Net weight	5.42KG
Gross weight	6.86KG

Power supply parameters

Power Input	110-240V AC 50/60Hz
Power Output	DC 12V 5A
Standby power consumption	≤0.5W
Overall power consumption	Android<=36W, X86<=48W

External Connectors

RJ45 Ports	x1
Power Socket	x1
USB 2.0	x2

Included in the Delivery

Manual	x1
WIFI antenna	x1
Wall mount bracket	x1
AC Power cable	x1

Use Case



Peripherals

The GD17N Kiosk comes equipped with an RFID card reader and camera, With a short customization period ranging from 7 to 35 days, delivery can be completed efficiently.



RFID card reader

Model M11
Frequency: IC Mifare1/; CPU/TypeA; 14443A
Protocols: IC/ID
Supported Ca 80MM(MAX)
Functions: Read/Write IC cards, Read ID cards



Camera

Pixel 2MP/5MP options
Functions: Take pictures/Face recognition