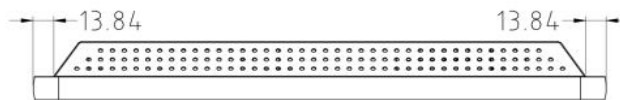
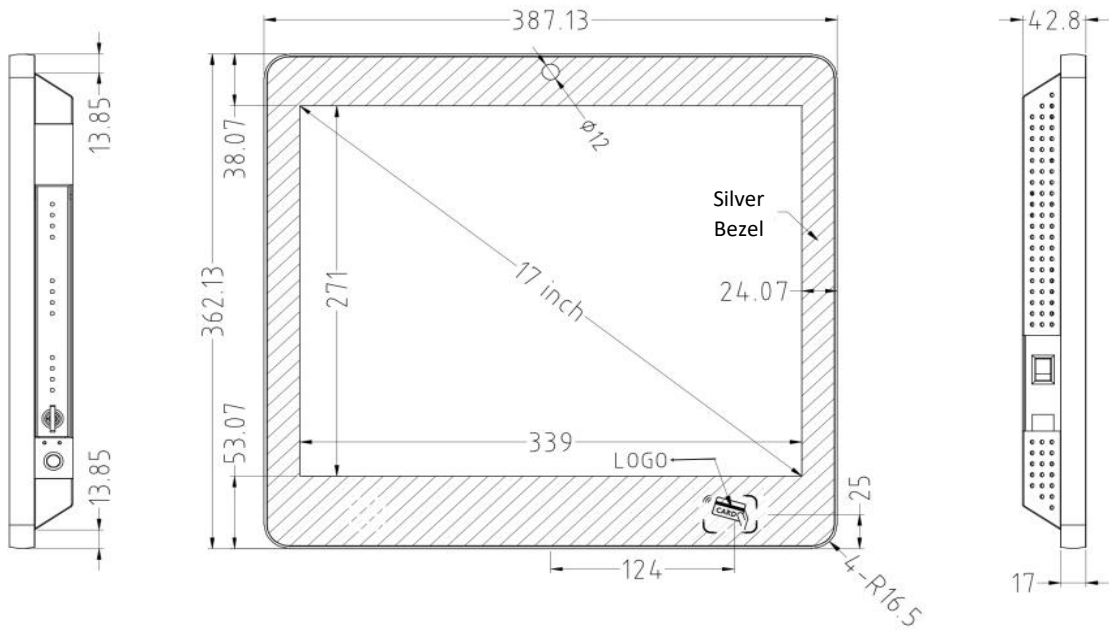
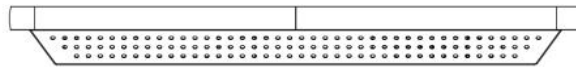
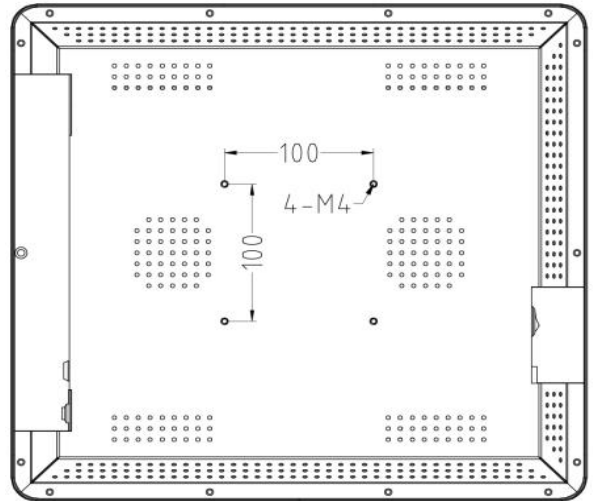


17' Wall Mounting Touch Kiosk(Monitor)



24/7 Commercial Use

Industrial-grade Power Supply
30,000-hour extended life LCD display

Android / Windows Optional

Android 11 default, High-end spec optional
Latest Celeron J6412 default
i5 12Gen Optional

Free customization

Multiple IC card readers to choose from
Camera

Easy wall mount or Floor Mount

Wall mount bracket by default
Optional with pre-drilled holes for floor mounting

Monitor configuration

CPU	68676
HDMI in	*1
VGA	*1
USB for touch	*1

LCD Panel

Screen diagonal	17inch
Display active screen size (mm)	339 * 271mm
Aspect ratio	4:3
Physical resolution	1280*1024
Colours displayed	16.7M
Brightness (cd/m ²)	≥250
Contrast	1000:1
Visual Angle H/V (°)	178/178
Backlight Lifetime (hours)	LED 30,000
Refresh Rate	60 Hz

Power supply parameters

Power Input	110-240V AC 50/60Hz
Power Output	DC 12V 5A
Standby power consumption	≤0.5W
Overall power consumption	<30W

Touch Panel

Touch technology	PCAP
Response time	<5ms
Touch points	10 points standard
Touch effective recognition	>1.5mm
Scanning Frequency	200Hz
Scanning accuracy	4096×4096
Working Current/Voltage	180Ma/DC+5V±5%
Surface Hardness	Mohs class 7 explosion-proof glass

External Connectors

HDMI	x1
Power Socket	x1
USB 2.0	x1

Operation Environment

Operation Temperature	0°C-50°C
Operation Humidity	10% - 80%
Storage Temperature	-5°C-60°C
Storage Humidity	10% - 85%

Dimension

Machine(mm)	387.13 (W) × 362.13 (H) × 42.8 (T)
Package(mm)	430 (W) × 445 (H) × 145 (T) mm
Net weight	5.42KG
Gross weight	6.86KG

Included in the Delivery

Manual	x1
Wall mount bracket	x1
AC Power cable	x1

Use Case



Peripherals

The GD 17N Kiosk comes equipped with an RFID card reader and camera. With a short customization period ranging from 7 to 35 days, delivery can be completed efficiently.



RFID card reader

Model M11
Frequency: IC Mifare1/; CPU/TypeA; 14443A
Protocols: IC/ID
Supported Ca80MM(MAX)
Functions: Read/Write IC cards, Read ID cards



Camera

Pixel 2MP/5MP options
Functions: Take pictures/Face recognition