



Touch Screen Kiosk

Model: GD215-H2
Brand: TouchWo

Flexible OS & Hardware Options

Choose Android 11-14 or Windows, with processors from N5095 to high-performance i7.

Easy DIY Maintenance

Front-opening screen design lets even seniors replace any accessories effortlessly.

Dual Modes for Versatile Use

Freely switch between vertical and desktop modes to fit different usage scenarios.

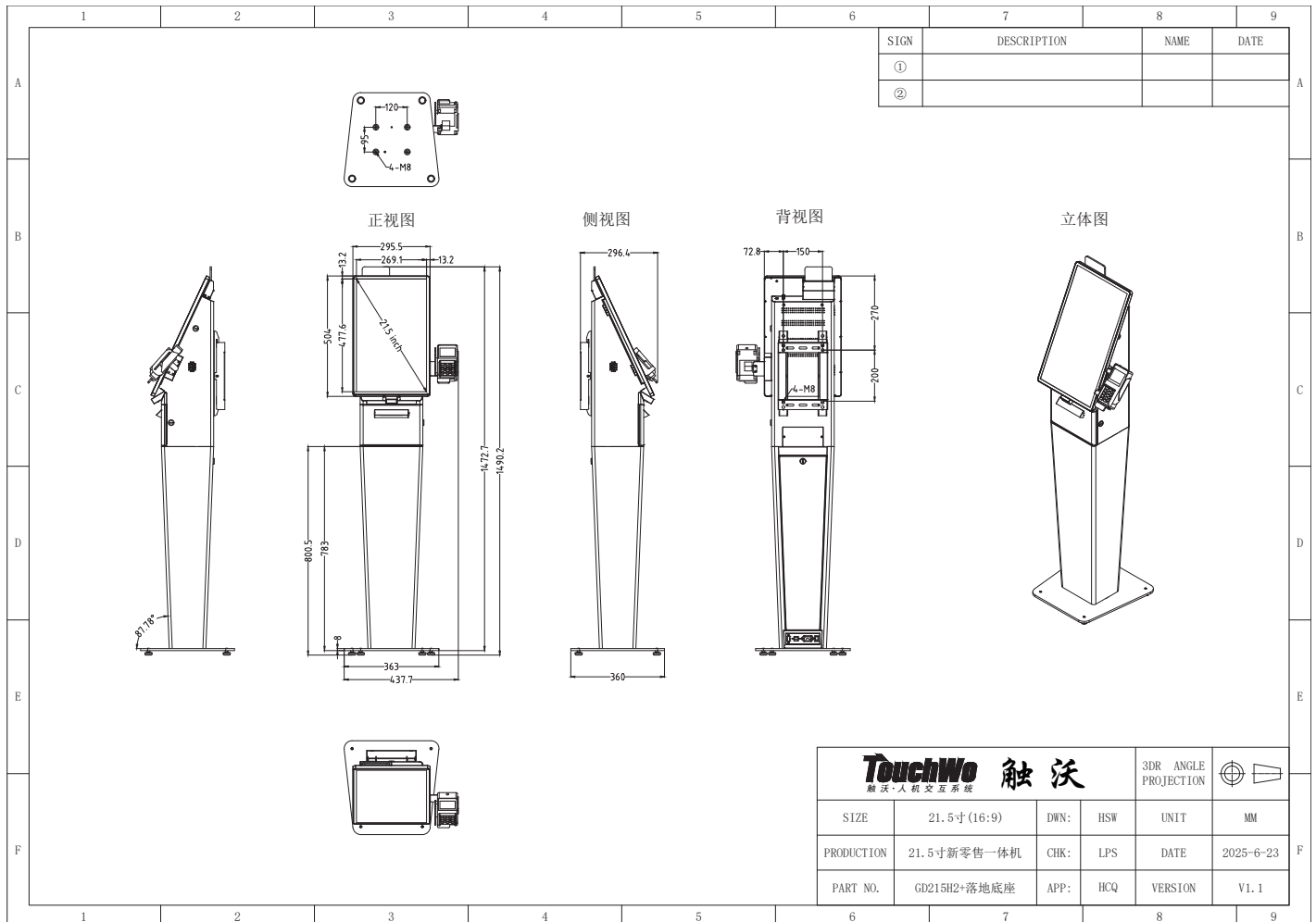
Spacious Printer Compartment

Large enough to accommodate Epson TM-M30II printer with ample space.

Dimensions

Unit Dimensions(L x W x H)

1490.2*437.7*360mm(With the POS holder)



Material& Package

Material - Base	SECC Sheet Metal
Material - Screen	Aluminum Alloy Frame+SECC Sheet Metal back shell+Tempered glass
Color	White(Black optional)
Net Weight	35.2kg
Gross Weight	38.8kg
Packaging Box Dimensions	Upper body-stand: 44*39*74cm ; 18.7kg Base-Stand: 86*45*35cm ; 20.1kg

Display

Size	21.5 inches
Aspect Ratio	16:9
Panel Type	IPS LCD screen, LED backlight, Grade A
Display Area	477.6(W)mm x 269.1(H)mm
Resolution	1920x1080
Brightness	250nits
Contrast Ratio	1000:1
Color Gamut	16.7M
Response Time	30ms
Viewing Angle	Horizontal: 175°; Vertical: 175°

Touch Screen

Touch Screen Type	10-point Capacitive Touch Screen
Touch Screen Transmittance	86%
Touch Screen Surface Hardness	7 H
Cover Glass Thickness	2mm
Touch Screen Response Time	≤10 ms

Mainboard

CPU	RK3576 / RK3588	N100 / i5 7300 / i7 12gen
RAM	4G/8G	4G/8G/16GB
Memory	32G/128G	128G / 256GB
System	Android 14 / Android 12	Windows 11

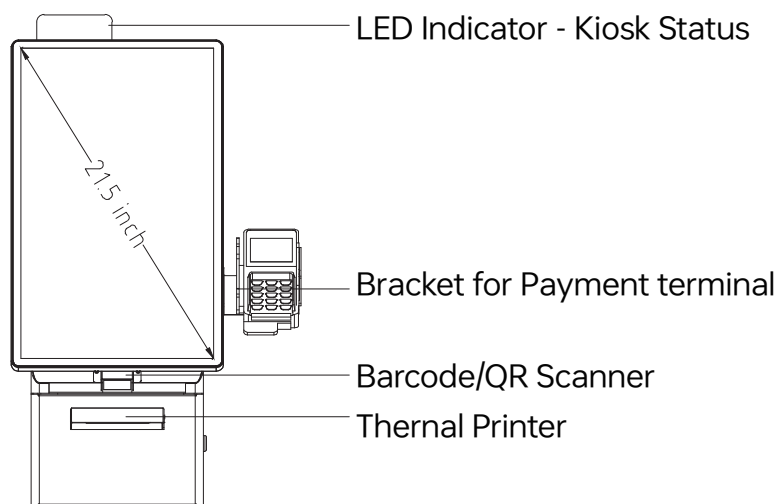
Connection

WiFi	802.11b/g/n/ac	802.11b/g/n/ac
Bluetooth	Bluetooth 5.1	Bluetooth 4.0
Power Supply	AC 100-260V input	AC 100-260V input

Interface I/O (Internal)

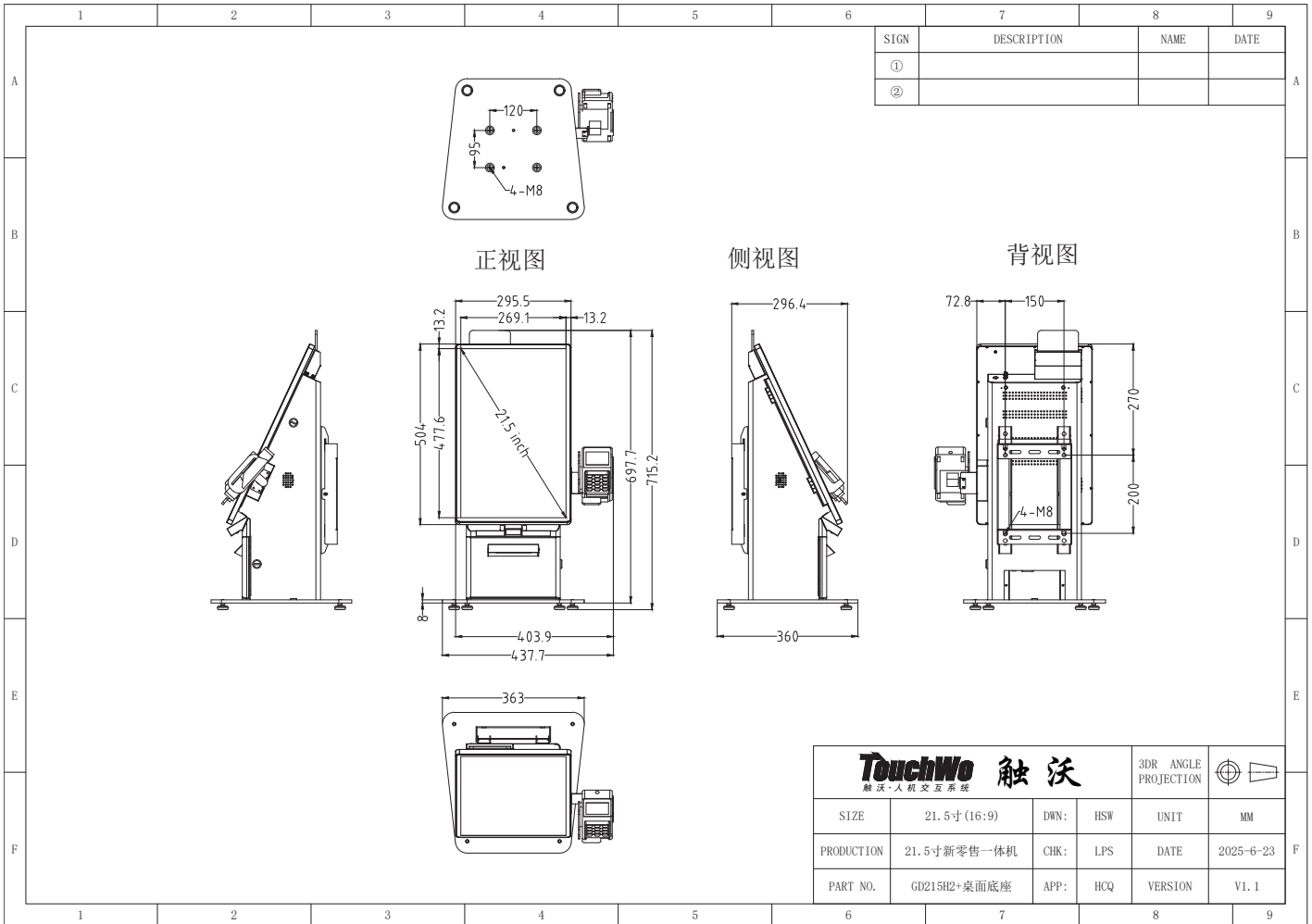
USB	USB2.0 * 2	USB * 7
Power Port	DC 12V input	DC 12V input
Ethernet	RJ-45*1	RJ-45*1
Multiple Ports available internally		COM * 1
		HDMI * 1

Peripherals



Desktop Mode

H2, the desktop mode is selectable.
Simply remove the base stand and then mount the upper body onto the base plate.



Product Photos

