

Material& Package

Material - Base	SECC Sheet Metal
Material - Screen	Aluminum Alloy Frame+SECC Sheet Metal back shell+Tempered glass
Color	White(Black optional)
Net Weight	44kg
Gross Weight	48.8kg
Packaging Box Dimensions	Upper body-stand: 46*36*87cm Base-Stand: 86*45*35cm ; 20.1kg

Display

Size	27 inches
Aspect Ratio	16:9
Panel Type	IPS LCD screen, LED backlight, Grade A
Display Area	377.5(W)mm x 599(H)mm
Resolution	1920x1080
Brightness	250nits
Contrast Ratio	1000:1
Color Gamut	16.7M
Response Time	30ms
Viewing Angle	Horizontal: 175°; Vertical: 175°

Touch Screen

Touch Screen Type	10-point Capacitive Touch Screen
Touch Screen Transmittance	86%
Touch Screen Surface Hardness	7 H
Cover Glass Thickness	2mm
Touch Screen Response Time	≤10 ms

Mainboard

CPU	RK3576 / RK3588	N100 / i5 7300 / i7 12gen
RAM	4G/8G	4G/8G/16GB
Memory	32G/128G	128G / 256GB
System	Android 14 / Android 12	Windows 11

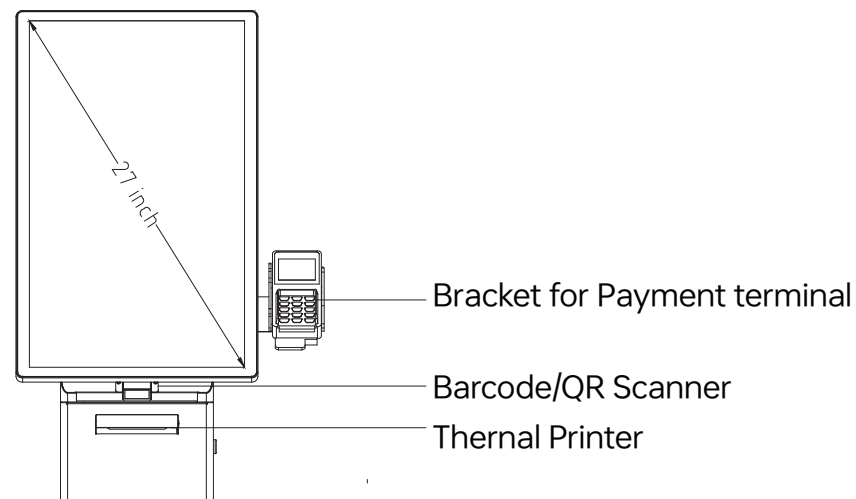
Connection

WiFi	802.11b/g/n/ac	802.11b/g/n/ac
Bluetooth	Bluetooth 5.1	Bluetooth 4.0
Power Supply	AC 100-260V input	AC 100-260V input

Interface I/O (Internal)

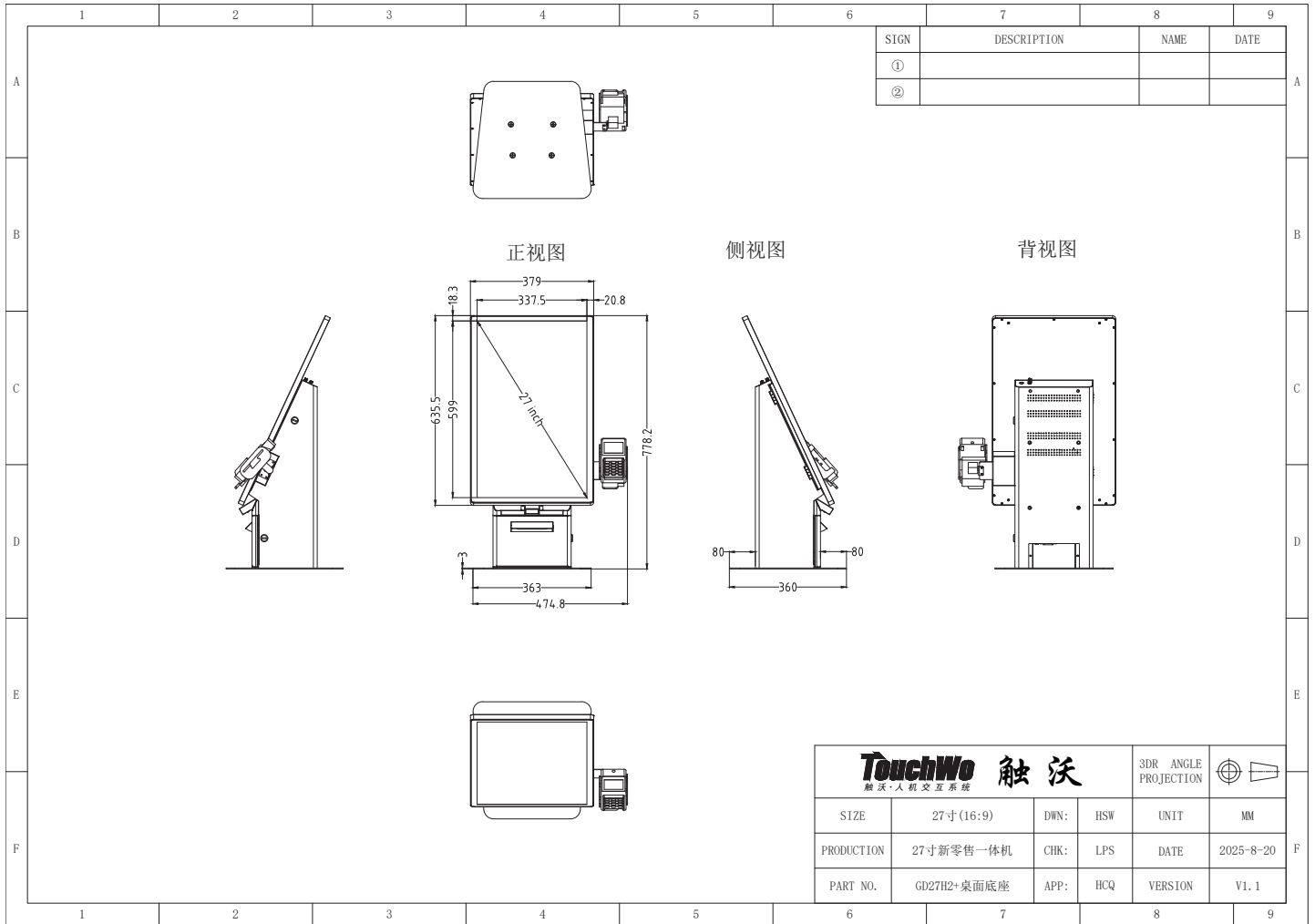
USB	USB2.0 * 2	USB * 7
Power Port	DC 12V input	DC 12V input
Ethernet	RJ-45*1	RJ-45*1
Multiple Ports available internally		COM * 1
		HDMI * 1

Peripherals



Desktop Mode

H2, the desktop mode is selectable.
Simply remove the base stand and then mount the upper body onto the base plate.



Product Photos

